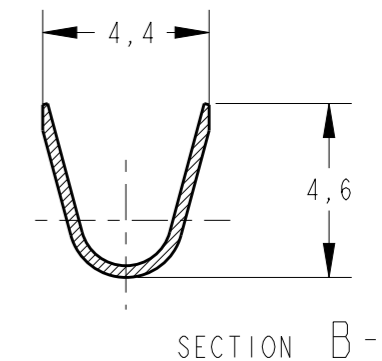
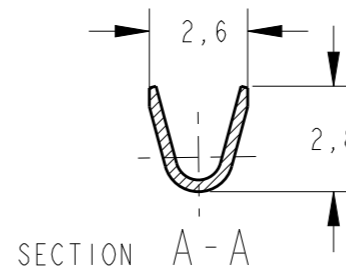
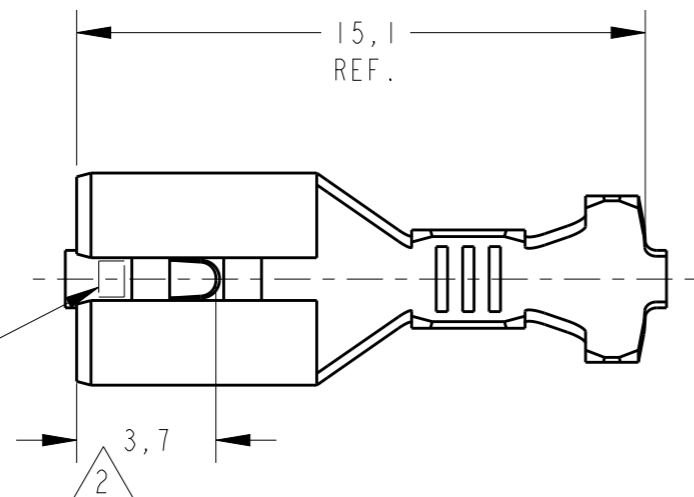


THIS DRAWING IS UNPUBLISHED. RELEASED FOR PUBLICATION 20  
 © COPYRIGHT 20 BY - ALL RIGHTS RESERVED.

REVISIONS

P	LTR	DESCRIPTION	DATE	DWN	APVD
	J	REV. BY ECO 17-008400	23JUN2017	HC	WLS



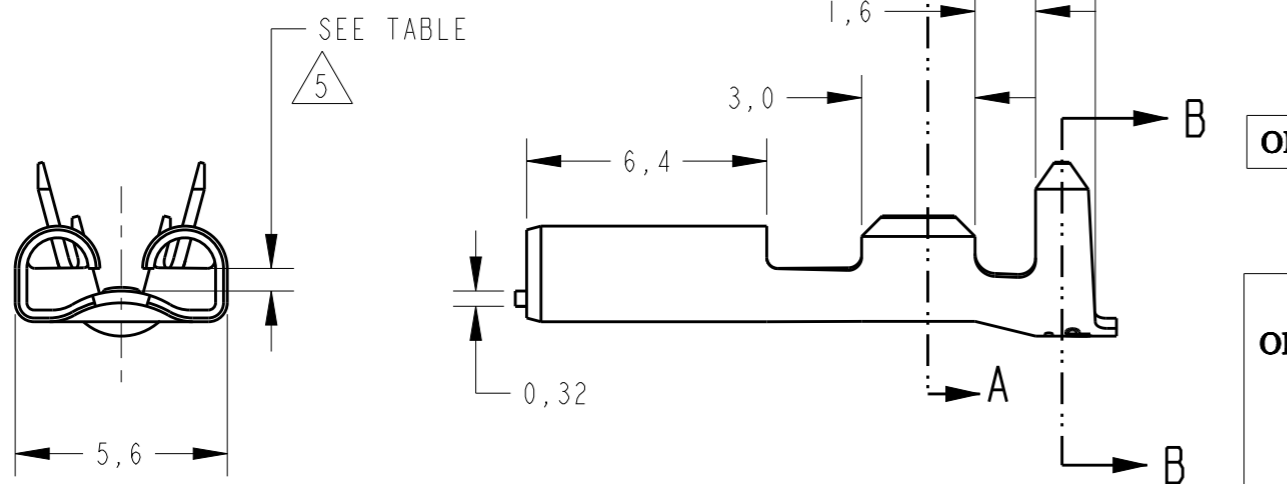
5 TAB THICKNESS  
GAP SIZE MARKING

1 -PEÇA SOLTA - VER DESENHO 444201.  
LOOSE PIECE - SEE DRAWING 444201.

2 -LOCALIZAÇÃO DO DIMPLE - 3,0mm PARA O PN 1-881623-0  
DIMPLE LOCATION 3,0mm. FOR PN 1-881623-0.

3 -OBSOLETE PARTS:OBSOLETE CIS STREAMLINING PER D.RENAUD/D.SINISI

4 -HEAT TREATMENT.



5	FOR TAB THICKNESS	FINISH	MATERIAL	PART NUMBER
	0,5	—	LATÃO/BRASS	4 1-881623-1
OBSOLETE	0,8	—	LATÃO/BRASS	2 1-881623-0
	0,5	ESTANHADO/TIN PLATED	LATÃO/BRASS	1 881623-9
	0,5	—	LATÃO/BRASS	1 881623-8
OBSOLETE	OBSOLETE	ESTANHADO/TIN PLATED	LATÃO/BRASS	881623-7
OBSOLETE	OBSOLETE	—	LATÃO/BRASS	881623-6
3	0,8	NIQUELADO/NICKEL PLATED	AÇO/STEEL	881623-5
	0,8	—	AÇO/STEEL	881623-4
	0,8	ESTANHADO/TIN PLATED	BRONZE/PH.BRONZE	881623-3
	0,8	ESTANHADO/TIN PLATED	LATÃO/BRASS	1 881623-2
	0,8	—	LATÃO/BRASS	1 881623-1

INSERTION AND EXTRACTION REQUIREMENTS	1st ON (N)MAX	1st OFF (N)MIN	6th ON (N)MIN
	46	28	15

THIS DRAWING IS A CONTROLLED DOCUMENT.

DIMENSIONS:	TOLERANCES UNLESS OTHERWISE SPECIFIED:
mm	
0 PLC	±-
1 PLC	±0,3
2 PLC	±-
3 PLC	±-
4 PLC	±-
ANGLES	±1°

MATERIAL SEE TABLE FINISH SEE TABLE

DWN 20JUN2017  
H.C.CANTER1  
CHK 26JUN2017  
W.L.STEFANI  
APVD -



NAME .187 SERIES FASTON REC.

PRODUCT SPEC -  
APPLICATION SPEC -

WEIGHT -

SIZE	CAGE CODE	DRAWING NO	RESTRICTED TO
A3	-	881623	-

CUSTOMER DRAWING SCALE 5/1 SHEET 1 OF 1 REV J

INS. RANGE	WIRE RANGE
∅ 2,0-3,3mm.	0,5-1,0mm <sup>2</sup>