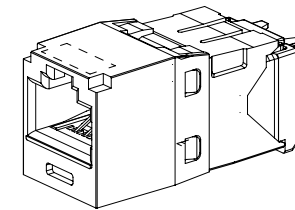
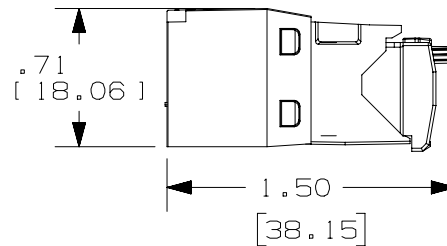
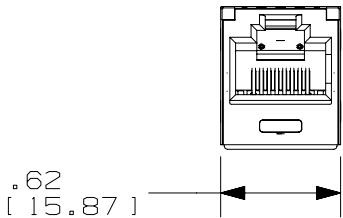
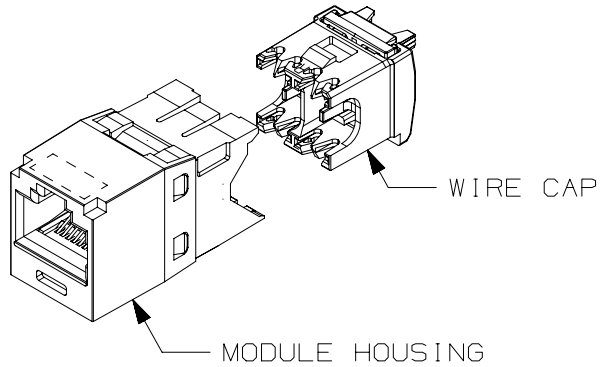


THIS COPY IS PROVIDED ON A RESTRICTED BASIS AND IS NOT TO BE USED IN ANY WAY DETRIMENTAL TO THE INTERESTS OF PANDUIT CORP.

NOTES:

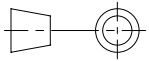
1. VISIT OUR ON-LINE CATALOG AT WWW.PANDUIT.COM FOR A LIST OF CURRENT PARTS APPLICABLE FOR USE WITH THIS PRODUCT.
2. RED COLOR WIRE CAP ASSEMBLY DESIGNATES TIA CATEGORY 6 (ISO 11801 CLASS D) PERFORMANCE.
3. COLOR OF JACK MODULE IS INDICATED BY ** IN THE PART NUMBER (EXAMPLE: CJ5E88TGBU FOR BLUE JACK), SEE WWW.PANDUIT.COM FOR AVAILABLE COLOR CODES.
4. PART NUMBERS OF AVAILABLE PACKAGE TYPES ARE SHOWN IN TABLE 1.
5. TERMINATION TOOL TO BE USED IS EGJT-1. SOME PACKAGE TYPES INCLUDE A TERMINATION TOOL, SEE TABLE 1 FOR DETAILS.
6. ALL MINI-COM™ CATEGORY 5e, 8 POSITION, 8 WIRE CONNECTOR MODULES ARE UNIVERSAL IN DESIGN. THEY ACCEPT ACCEPT SIX AND EIGHT POSITION MODULAR PLUGS WITHOUT DAMAGE.
7. TERMINATES 22-26AWG SOLID OR STRANDED UTP CABLE STRAIGHT HORIZONTALLY.
8. SEE INSTALLATION INSTRUCTION FOR PROPER TERMINATION METHOD.
9. WIRE CAP LABEL WHICH IS PART OF THE WIRE CAP ASSEMBLY IS CODED FOR T568A AND T568B WIRING SCHEMES.
10. PART INCLUDES:
 MODULE HOUSING: ABS W/ UL94V-0 FLAME RATING.
 WIRE CAP ASSEMBLY: POLYCARBONATE W/ UL94V-0 FLAME RATING.
11. WEIGHT: 1.53 LBS/100 PCS (695 g/100 PCS).
12. DIMENSIONS IN [] ARE METRIC.
13. ALL MATERIALS AND COMPONENTS USED MEET THE LATEST RoHS REQUIREMENTS.



ACTUAL SIZE

TABLE 1: PACKAGE TYPE AND TERMINATION TOOL

PART NUMBER	PACKAGED QUANTITY	TERMINATION TOOL: EGJT-1
CJ5E88TG**	INDIVIDUALLY PACKAGED, 50 PER CARTON	NOT INCLUDED
CJ5E88TG**-24	BULK PACKAGED, 24 PER BAG	INCLUDED (1 PER BAG)
CJ5E88TG**-C	BULK PACKAGED, 100 PER CARTON	INCLUDED (1 PER CARTON)

PART NUMBER		SEE TABLE 1	
TITLE			
MINI-COM™ CATEGORY 5e JACK MODULE WITH STRAIGHT WIRE CAP ASSEMBLY		CUSTOMER DRAWING	
ITEM REVISION NAME		M02043CB/05	
DATASET FILE NAME		M02043CB_DC05/05C	
		THIRD ANGLE PROJECTION	
MATERIAL		SEE NOTE 10	
DRAWING NUMBER		02043-05	
DRAWN BY	DATE	CHK	SCALE
MDJR	8-31-05	PBD	FULL
SHEET 1 OF 1		SIZE A	

REV	DATE	BY	CHK	APR	DESCRIPTION	ECN
3	10-25-18	BJN	DCS	TMBA	UPDATED NOTES; ADDED TABLE 1	00153LAK-02

A-SIZE CUSTOMER