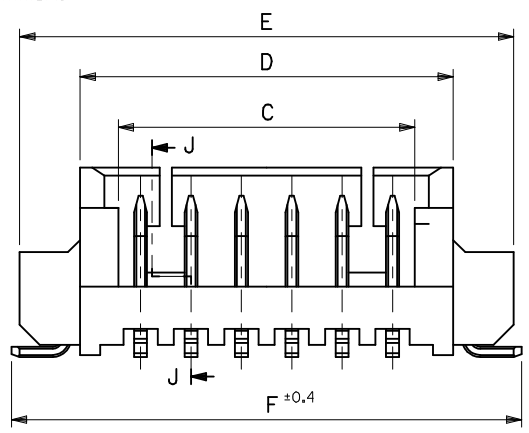
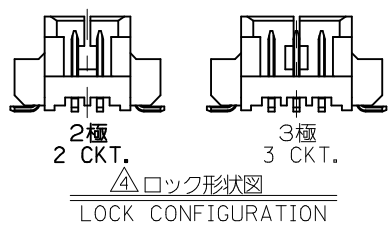
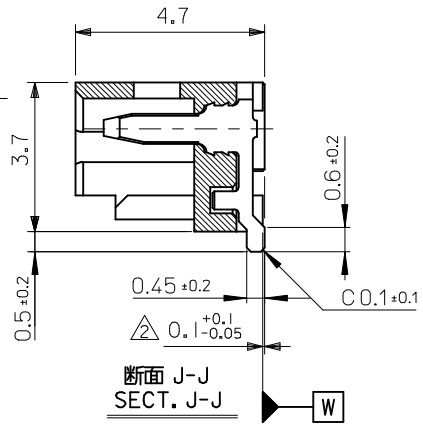
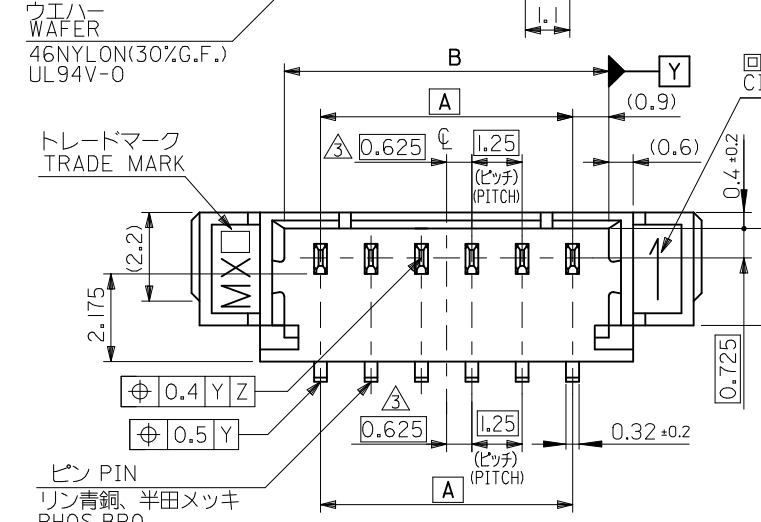
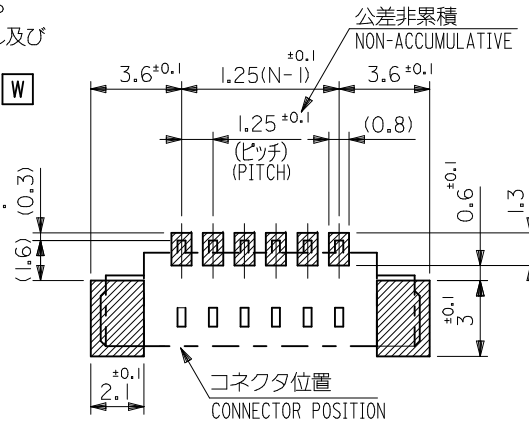


注記 NOTES

1. 嵌合相手 : 51021 シリーズ MATE WITH : 51021 SERIES
- △ 水平面上においての、ウェハー底面 **W** とソルダーテール及びフィッティングネイル底面とのズレ量を示す。  
MISALIGNMENT OF SOLDER TAIL & FITTING NAIL FROM **W**
- △ 偶数極にのみ適用。APPLY EVEN CIRCUIT PRODUCTS.
- △ ロック窓は、2, 3極は1ヶ所、4極以上は2ヶ所とする。  
LOCKING WINDOW : ONE PLACE FOR 2&3 CKTS.  
TWO PLACES FOR MORE THAN 4 CKTS.



|       |       |       |       |       |       |            |                       |
|-------|-------|-------|-------|-------|-------|------------|-----------------------|
| 23.9  | 23.5  | 20.5  | 18.6  | 19.3  | 17.5  | 53398-1510 | 15                    |
| 22.65 | 22.25 | 19.25 | 17.35 | 18.05 | 16.25 | ↑ -1410    | 14                    |
| 21.4  | 21    | 18    | 16.1  | 16.8  | 15    | -1310      | 13                    |
| 20.15 | 19.75 | 16.75 | 14.85 | 15.55 | 13.75 | -1210      | 12                    |
| 17.65 | 17.25 | 14.25 | 12.35 | 13.05 | 11.25 | ↓ -1010    | 10                    |
| 16.4  | 16    | 13    | 11.1  | 11.8  | 10    | -0910      | 9                     |
| 11.4  | 11    | 8     | 6.1   | 6.8   | 5     | 53398-0510 | 5                     |
| F     | E     | D     | C     | B     | A     | ENG. NO.   | 極数<br>NO. OF<br>CKTS. |

|  |  |           |  |                          |   |   |                           |
|--|--|-----------|--|--------------------------|---|---|---------------------------|
| REVISED<br>EC NO: J2016-0718<br>DRWN: SSIHMONISHI 2016/02/05<br>CHKD: KOMURAKAMI 2016/02/05<br>APPR: KANEKO 2016/02/16 | GENERAL TOLERANCES<br>(UNLESS SPECIFIED) |           | DIMENSION STYLE<br>MM ONLY                                 |                          | SCALE<br>---  | DESIGN UNITS<br>METRIC  | THIRD ANGLE<br>PROJECTION |
|  | 0.25 UNDER                               | UNDER     | ±0.03  | DRAWN BY<br>KTOJO        | DATE<br>1992/10/12  | TITLE<br>1.25 WIRE TO BOARD CONN.<br>WAFER ASS'Y<br>FOR SMT (ST.) |                           |
|  | 0.25 OVER                                | 0.5 UNDER | ±0.05  | CHECKED BY<br>TYAMAGUCHI | DATE<br>2000/03/30  |   |                           |
|  | 0.5 OVER                                 | 1.0 UNDER | ±0.1   | APPROVED BY<br>TKANEKO   | DATE<br>2016/02/16  |   |                           |
| 1.0 OVER   | 10 UNDER                                 | ±0.2      | MATERIAL NO.   | SEE CHART                | DOCUMENT NO.<br>SD-53398-051  | SHEET NO.<br>1 OF 1   |                           |
| 10 OVER  | 30 UNDER                                 | ±0.25     | DRAFT WHERE APPLICABLE<br>MUST REMAIN<br>WITHIN DIMENSIONS |                          | THIS DRAWING CONTAINS INFORMATION THAT IS PROPRIETARY TO MOLEX ELECTRONIC TECHNOLOGIES, LLC AND SHOULD NOT BE USED WITHOUT WRITTEN PERMISSION |   |                           |
| 30 OVER  |  | ±0.3      | SIZE<br>A3   |                          |   |   |                           |