

PART NAME: BALL KNOB    SCALE: 1:1    DATE: 8/21/96    DRN. BY: HD

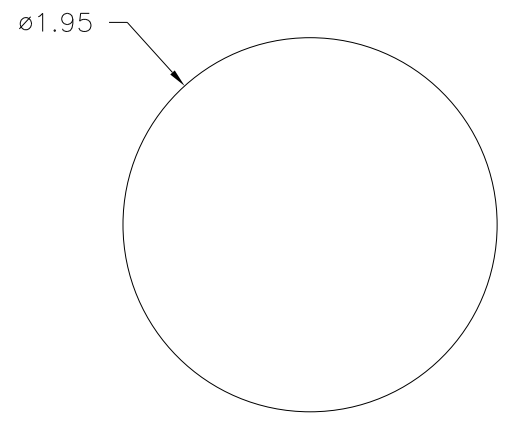
THIS DRAWING IS THE PROPERTY OF DAVIES MOLDING COMPANY, IS SUBMITTED SOLELY AS A DESIGN OR ENGINEERING PROJECT.  
WE ACCEPT NO RESPONSIBILITY WHATSOEVER FOR THE PRACTICAL APPLICATION OF THE PIECES MADE TO THIS DESIGN.



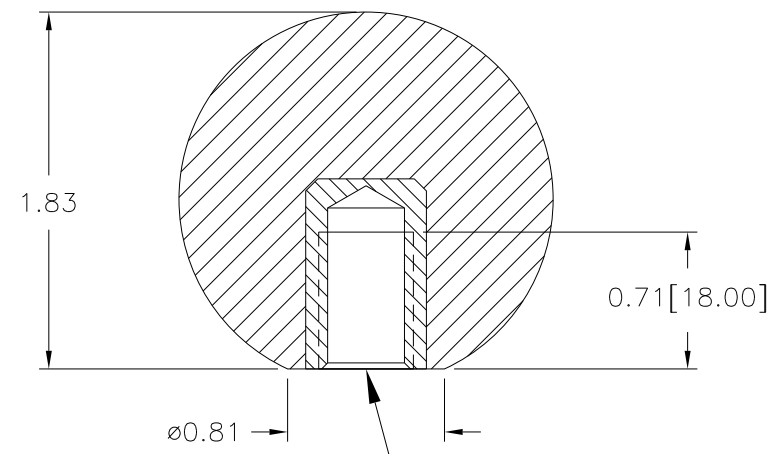
DESIGNERS & MANUFACTURERS  
OF KNOBS, HANDLES, CASES &  
CUSTOM PLASTIC COMPONENTS

P/N 0055EX  
BASE PART 0055-12

(A)



NOTE: BUFFED AND POLISHED



M12 X 1.75 - 6H THREADED  
I2019, H.H. BRASS

MATERIAL: G.P. PHENOLIC (B11)  
COLOR: BLACK

TOLERANCES: UNLESS OTHERWISE SPECIFIED	DO NOT SCALE DRAWING			
DECIMALS: X.XXX ± .005 X.XX ± .015	MM: X.XX ± 0.15MM X.X ± 0.4MM	A	ADDED BASE PART	JAM 2/26/14
		-	REDRAWN	TL 10/28/99
FRACTIONS ± 1/64	ANG. ± 1°	CHANGES		

