

Single Contact Candelabra Bayonet

11 SERIES

- SINGLE CONTACT CANDELABRA BAYONET GROUNDED LAMPHOLDERS
- 6" WIRE LEAD • ELECTRO-TINNED PLATED STEEL SHELL
- MAXIMUM RATING: 25 WATTS, 12 VOLTS
- UL RECOGNIZED • UL FILE E20356

Overview

The 11 Series lampholders are constructed with a electro-tinned plated steel shell with a brass center contact mounted on a phenolic insulating disc with one 6" wire lead. The brackets are grounded to the shell. Lampholders are designed for use in low voltage lamp applications with single contact candelabra bayonet lamps.

Specifications

Shell: electro-tinned plated steel.

Custom shells also available:

Single contact indexed shell: add **-DX** to end of part number. For example, **11-207** changes to **11-207-DX** for indexed shell. Shell is only available in zinc plated steel.

Brass Shell: add **-BR** to the end of a part number. For example, **11-207** changes to **11-207-BR** for brass shell.

Center contact: nickel plated brass supplied with phenolic insulating disc.

Custom contact also available.

Glass Melamine Center Contact: for outdoor environments.

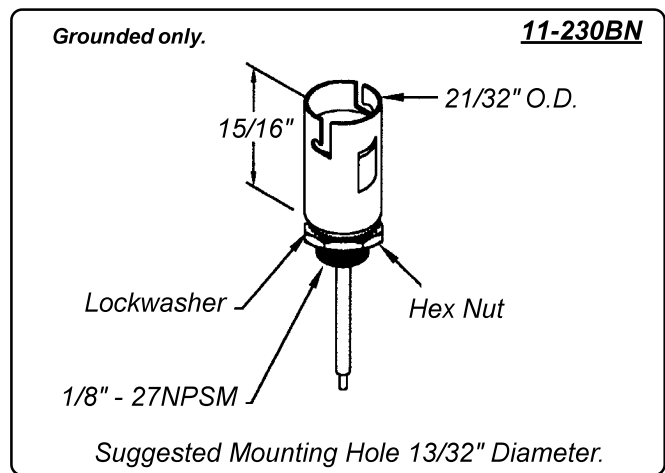
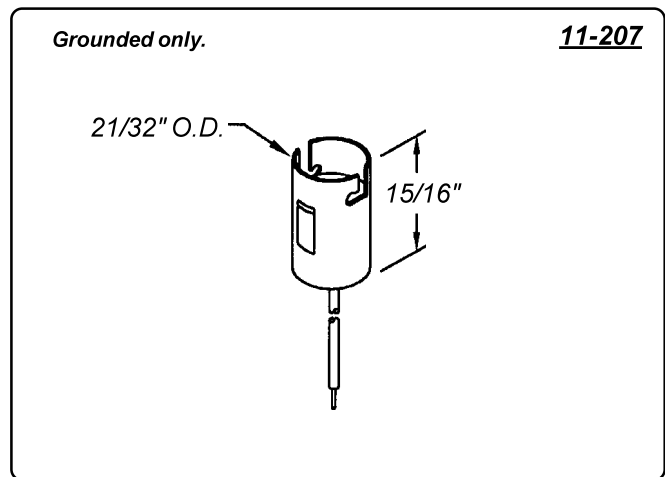
Spring: zinc plated steel. A custom stainless steel spring is also available.

Wire leads: 6" lead: #18 AWG, black, bare copper, PVC insulated, UL/CSA rated 105° C, stripped 1/2". Grounded units are supplied with one 6" wire lead. Custom wire lengths, stripping, termination and wire types are also available.

Second ground wire: White #18AWG, attached to the spring. Add **-2W** to end of part number to order.

Mounting: Brackets: 0.025" to 0.032" zinc plated steel. Custom brackets and plating types are available. **Plug button** and **threaded bushing** (supplied hex nut and lockwasher) also available.

Maximum rating: 25 Watts, 12 Volts.



Can't find it here? We have many more standard and custom solutions

For further information, phone Customer Service at 800.522.5546.

Single Contact Candelabra Bayonet

11 SERIES

UL Recognized

Maximum Rating: 25 Watts, 12 Volts

Electro-Tinned Plated Steel Shell

Grounded

6" Wire Lead

11-202

Grounded only.

11-208

Grounded only.

11-211

Grounded only.

11-212

Grounded only.

11-215
11-218
11-282

Grounded only.

Mounting Hole Diagram

Bracket No.	"A" Dimension
-15	1-5/32"
-18	1-13/32"
-82	15/16"

Maximum Panel Thickness .045"

Single Contact Candelabra Bayonet

11 SERIES

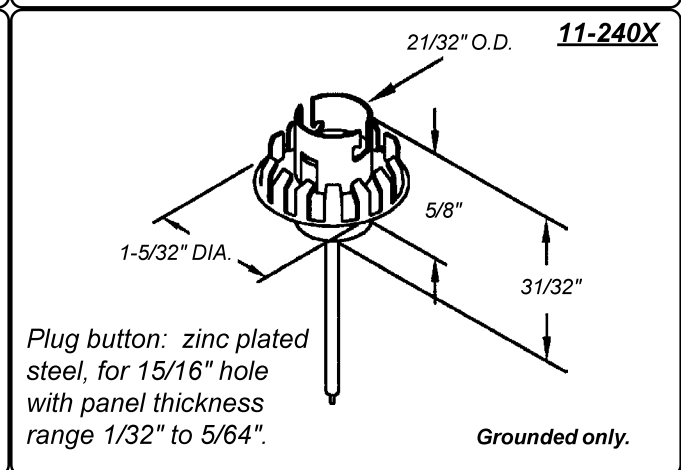
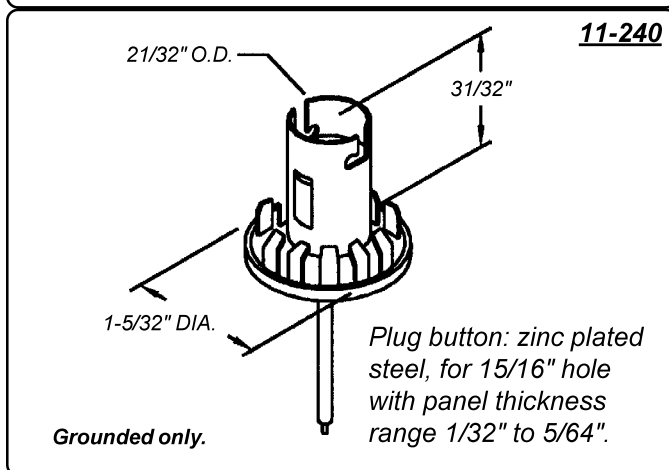
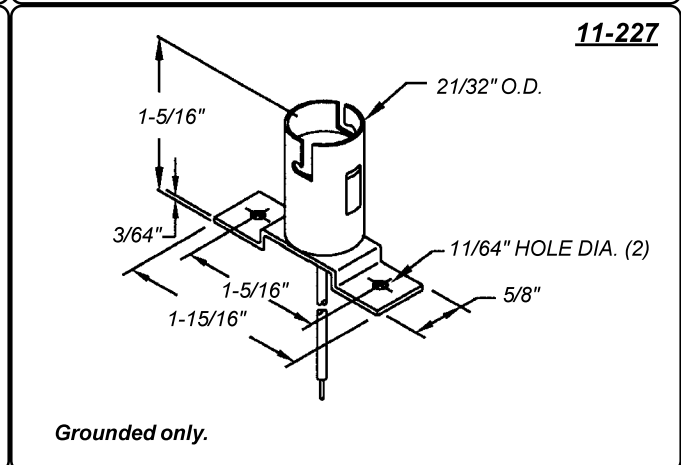
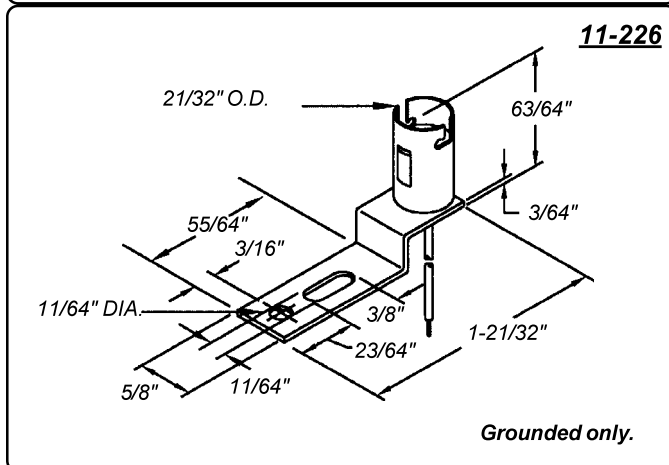
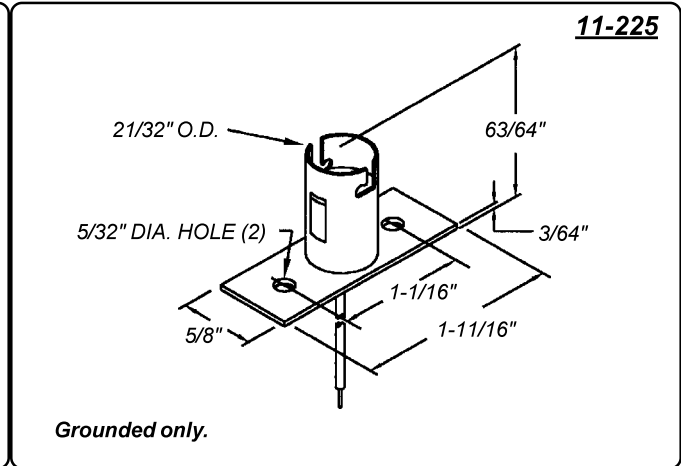
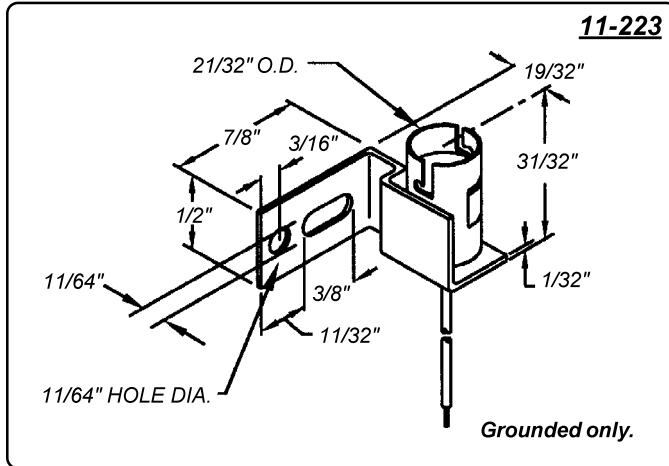
UL Recognized

Maximum Rating: 25 Watts, 12 Volts

Electro-Tinned Plated Steel Shell

Grounded

6" Wire Lead



Single Contact Candelabra Bayonet

11 SERIES

UL Recognized

Maximum Rating: 25 Watts, 12 Volts

Electro-Tinned Plated Steel Shell

Grounded

6" Wire Lead

11-240XT

Plug button: zinc plated steel, for 15/16" hole with panel thickness range 1/32" to 5/64".

Grounded only.

11-245

Grounded only.

11-255

Grounded only.

11-260

Grounded only.

11-272

For reversed bracket:
Grounded unit: **11-271.**

Grounded only.

11-275

Grounded only.