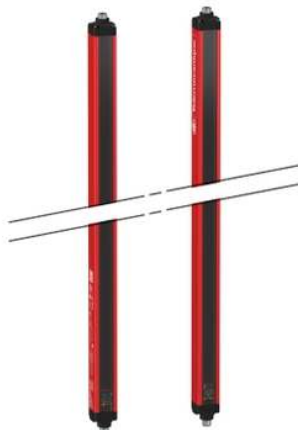


XUSL4E30H061NM

Safety light curtain type 4, Telemecanique
Safety light curtains XUSL, XUSL Master for
hand protection, Hp = 610 mm, R=30 mm



Main

| | |
|----------------------------------|---|
| Range of Product | Telemecanique Safety light curtains XUSL |
| Product or Component Type | Safety light curtain type 4 |
| Device short name | XUSL4E |
| Output type | 2 safety outputs OSSD solid-state PNP arc suppression) |
| Product Specific Application | For hand protection |
| [R] Resolution | 1.18 in (30 mm) |
| [Sn] nominal sensing distance | 0.00...39.37 Ft (0...12 m) by cabling 0.00...13.12 ft (0...4 m) by cabling |
| [Hp] Height protected | 24.02 in (610 mm) |
| Number of beams | 23 |
| Type of start / restart | Automatic Manual |
| External Device Monitoring (EDM) | Selected by wiring |

Complementary

| | |
|--------------------------------|--|
| Detection system | Transmitter-receiver system |
| Kit composition | Adjustable mounting bracket(s) 1 receiver(s) 1 transmitter(s) 1 user guide with certificate of conformity on CD-ROM |
| [EAA] effective aperture angle | 2.5 ° at 3 m |
| Emission | IR LED 0.000037402 in (950 nm) |
| [Us] rated supply voltage | 24 V DC +/- 20 % |
| Supply | Power supply IEC 61496-1 Power supply IEC 60204-1 |
| [Ie] rated operational current | 2 A |
| Current consumption | 42 mA no-load transmitter 83 mA no-load receiver 42 mA transmitter 900 mA with maximum load receiver |
| Output current limits | 0.4 A safety outputs OSSD |
| Output voltage | 24 V |
| Output circuit type | DC |
| Maximum voltage drop | <0.5 V |
| Local signalling | 1 multi-colour LED transmitter 2 dual colour LEDs receiver |
| Electrical connection | 1 male connector M12 5 pins transmitter 1 male connector M12 8 pins receiver |
| Function available | Test Muting through external safety module XPSLCMUT1160 LED display of operating modes and faults |
| Marking | CE |
| Material | Aluminium casing Polycarbonate front panel Polypropylene end caps |
| Housing colour | Red RAL 3000 |
| Fixing Mode | By fixing brackets |

| | |
|------------|-----------------------|
| Net Weight | 2.69 lb(US) (1.22 kg) |
| Offer type | Standard distance |
| Topology | Daisy chain master |

Environment

| | |
|---------------------------------------|--|
| Directives | 98/37/EEC - machinery 89/336/EEC - electromagnetic compatibility 89/655/EEC - work equipment |
| Product Certifications | CE TÜV cULus |
| Safety level (correctly wired) | Type 4 IEC 61496-1 SIL 3 IEC 61508 SILCL 3 IEC 62061 Category 4 EN/ISO 13849-1 PL = e EN/ISO 13849-1 |
| Optical characteristic | Resistance to light disturbance EN/IEC 61496-2 |
| Mission time | 20 year(s) |
| Safety reliability data | PFHd = 1.06E-8 1/h IEC 61508 |
| Ambient Air Temperature for Operation | 14...131 °F (-10...55 °C) -22...131 °F (-30...55 °C) |
| Ambient Air Temperature for Storage | -31...158 °F (-35...70 °C) -13...158 °F (-25...70 °C) |
| Relative Humidity | 0...95 % without condensation |
| IP degree of protection | IP65 IP67 |
| Shock resistance | 10 gn 16 ms IEC 61496-1 |
| Vibration resistance | 0.35 +/- 0.05 mm 10...55 Hz)IEC 61496-1 |

Ordering and shipping details

| | |
|-----------------------|-----------------------------|
| Category | 22455-LIGHT CURTAINS - XUSL |
| Discount Schedule | DS2 |
| GTIN | 3389119619998 |
| Nbr. of units in pkg. | 1 |
| Package weight(Lbs) | 5.29 lb(US) (2.4 kg) |
| Returnability | No |
| Country of origin | IT |

Packing Units

| | |
|------------------------|-------------------|
| Unit Type of Package 1 | PCE |
| Package 1 Height | 5.31 in (13.5 cm) |
| Package 1 width | 7.68 in (19.5 cm) |
| Package 1 Length | 27.56 in (70 cm) |

Offer Sustainability

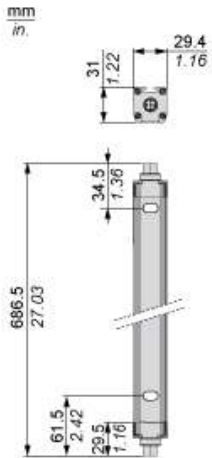
| | |
|----------------------------|---|
| Sustainable offer status | Green Premium product |
| California proposition 65 | WARNING: This product can expose you to chemicals including: Diisononyl phthalate (DINP), which is known to the State of California to cause cancer, and Di-isodecyl phthalate (DIDP), which is known to the State of California to cause birth defects or other reproductive harm. For more information go to www.P65Warnings.ca.gov |
| REACH Regulation | REACH Declaration |
| REACH free of SVHC | Yes |
| EU RoHS Directive | Pro-active compliance (Product out of EU RoHS legal scope) EU RoHS Declaration |
| Toxic heavy metal free | Yes |
| Mercury free | Yes |
| RoHS exemption information | Yes |

| | |
|--------------------------|---|
| Environmental Disclosure | Product Environmental Profile |
| Circularity Profile | End Of Life Information |

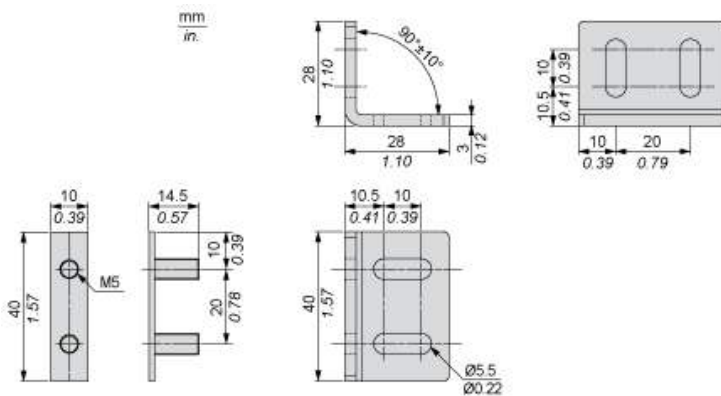
Contractual warranty

| | |
|----------|-----------|
| Warranty | 18 months |
|----------|-----------|

Dimensions



Brackets Dimensions



Mounting and Clearance



- (1) Insert
- (2) Bracket
- (3) Washer
- (4) Spring washer
- (5) Nut

Wiring Diagrams

Transmitter Connections

Master primary connector at the bottom

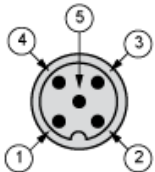


- (1) +24 Vdc
- (2) Configuration_0
- (3) 0 Vdc
- (4) Configuration_1
- (5) FE

Transmitter configurations and operating modes

| | High range option | Low range option | Transmitter in Test state | Forbidden wiring |
|-------------------------|-------------------|------------------|---------------------------|------------------|
| Pin 4 : Configuration_1 | 24 V | 0 V | 0 V | 24 V |
| Pin 2 : Configuration_0 | 0 V | 24 V | 0 V | 24 V |

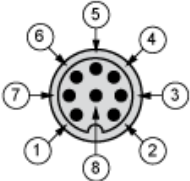
Master secondary connector at the top



- (1) +24 Vdc
- (2) Master/Slave_A
- (3) 0 Vdc
- (4) Master/Slave_B
- (5) FE

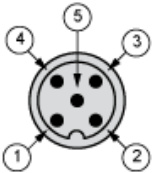
Receiver Connections

Master primary connector at the bottom



- (1) OSSD1
- (2) + 24 V
- (3) OSSD2
- (4) Configuration_A
- (5) K1_K2 Feedback/Restart
- (6) Configuration_B
- (7) 0 Vdc
- (8) FE

Master secondary connector at the top

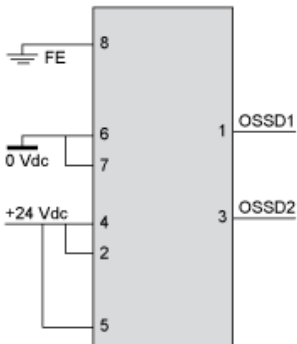


- (1) +24 Vdc
- (2) Master/Slave_A
- (3) 0 Vdc
- (4) Master/Slave_B
- (5) FE

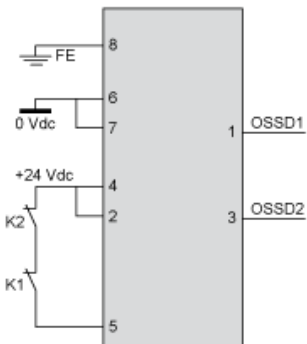
Receiver Configurations and Operating Modes

Automatic Start/Restart

Without External Device Monitoring (EDM) feedback loop

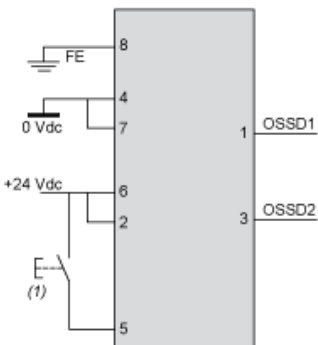


With External Device Monitoring (EDM) feedback loop



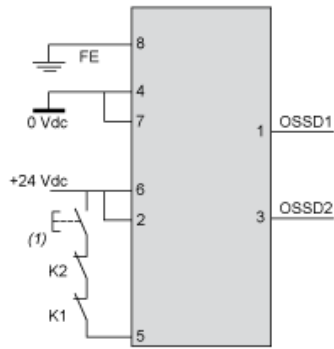
Manual Start/Restart

Without External Device Monitoring (EDM) feedback loop



- (1) Restart

With External Device Monitoring (EDM) feedback loop



(1) Restart

Connecting to a Safety Interface

- 1 : Click on Download & Documents
- 2 : Click on Application solutions

To have all connection schematics concerning our safety module, select "download and document" and download the file "Safety light curtains association with safety interfaces"