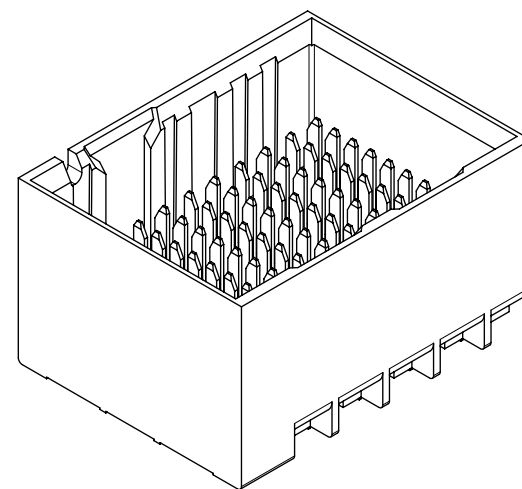


- NOTES:**
1. MATERIALS: HOUSING - LIQUID CRYSTAL POLYMER (LCP)  
GLASS-FILLED, UL94V-0  
TERMINALS - HIGH PERFORMANCE COPPER ALLOY
  2. FINISH: 30μ MIN GOLD IN CONTACT AREA.  
SELECTIVE MATE TIN ON PCB TAILS, NICKEL OVERALL.
  3. REFER TO MOLEX PRODUCT SPECIFICATION PS-170540-999  
FOR PERFORMANCE SPECIFICATIONS AND ADDITIONAL PCB INFORMATION.
  4. THIS PART CONFORMS TO CLASS B REQUIREMENTS OF MOLEX  
COSMETIC SPEC PS-45499-002.
  5. PARTS PACKAGED PER PK-70873-7700.
  6. SEE SHEETS 2 & 3 FOR PART NUMBERS AND BOARD RELATIONSHIPS.
  7. REFER TO MOLEX PCB ROUTING GUIDE AS-76060-990 FOR ANTIPAD AND  
ROUTING RECOMMENDATIONS.
  8. "THESE DIMENSIONS REPRESENT THE AREA NEEDED TO ACCOMMODATE CONNECTOR  
INSERTION AND REPAIR ON THE PC BOARD. THIS IS REFERRED TO AS THE  
"CONNECTOR KEEP OUT ZONE" AND DOES NOT REPRESENT THE ACTUAL PERIMETER  
OF THE CONNECTOR. WHEN LAYING OUT A PC BOARD FOR CONNECTORS STACKED  
TOGETHER, USE A 1.9mm PROGRESSION."
  9. MINIMUM CIRCUIT BOARD THICKNESS: 1.0mm

QUALITY SYMBOLS	THIS DRAWING CONTAINS INFORMATION THAT IS PROPRIETARY TO MOLEX ELECTRONIC TECHNOLOGIES, LLC AND SHOULD NOT BE USED WITHOUT WRITTEN PERMISSION																
▽ = 0	MIGRATED TO NX EC NO: 168628 DRWN: KUCHILA CHKD: PRAMASWAMY REV / APPR: PRAMASWAMY 2017/11/09 2017/11/27 2017/11/28	GENERAL TOLERANCES (UNLESS SPECIFIED)	DIMENSION UNITS SCALE														
▽ = 0		mm	4:1														
▽ = 0		ANGULAR TOL ± °	DRWN BY DATE														
▽ = 0		4 PLACES ±	JBINGHAM 2012/12/12														
▼ = 0		3 PLACES ±	CHKD BY DATE														
▽ = 0		2 PLACES ± 0.13	JLAURX 2012/12/12														
▽ = 0		1 PLACE ± 0.25	APPR BY DATE														
□ = 0		0 PLACES ±	JLAURX 2013/01/28														
■ = 0	DRAFT WHERE APPLICABLE MUST REMAIN WITHIN DIMENSIONS	DRAWING SIZE THIRD ANGLE PROJECTION															
▽ = 0	D1	C	<table border="1"> <tr> <th colspan="2">PRODUCT CUSTOMER DRAWING</th> </tr> <tr> <td>SERIES</td> <td>MATERIAL NUMBER</td> </tr> <tr> <td>170525</td> <td>SEE CHART</td> </tr> <tr> <td colspan="2">CUSTOMER</td> </tr> <tr> <td>GENERAL MARKET</td> <td></td> </tr> <tr> <td>DOCUMENT NUMBER</td> <td>DOC TYPE DOC PART SHEET NUMBER</td> </tr> <tr> <td>SD-170525-0001</td> <td>PSD 001 1 OF 3</td> </tr> </table>	PRODUCT CUSTOMER DRAWING		SERIES	MATERIAL NUMBER	170525	SEE CHART	CUSTOMER		GENERAL MARKET		DOCUMENT NUMBER	DOC TYPE DOC PART SHEET NUMBER	SD-170525-0001	PSD 001 1 OF 3
PRODUCT CUSTOMER DRAWING																	
SERIES	MATERIAL NUMBER																
170525	SEE CHART																
CUSTOMER																	
GENERAL MARKET																	
DOCUMENT NUMBER	DOC TYPE DOC PART SHEET NUMBER																
SD-170525-0001	PSD 001 1 OF 3																

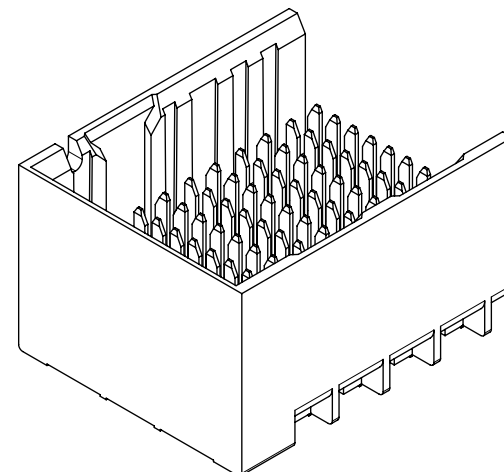
# PART NUMBER CHART

MATERIAL NUMBER	# OF COLUMNS	# OF DIFF PAIR	DIM "A"	DIM "B"	DUAL END WALL OPTION
170525-182*	8	24	17.9	13.30	
170525-112*	10	30	21.7	17.10	
170525-122*	12	36	25.5	20.90	
170525-162*	16	48	33.1	28.50	



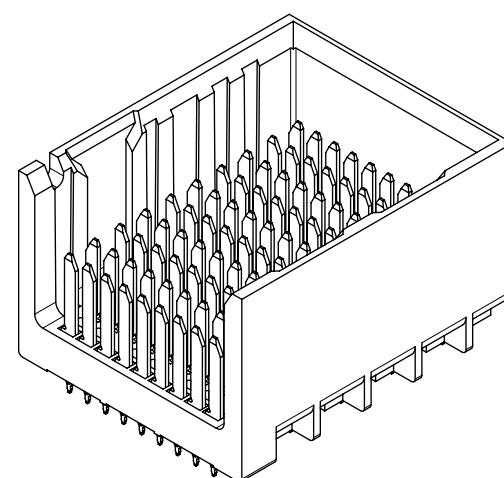
DUAL END  
WALL OPTION

MATERIAL NUMBER	# OF COLUMNS	# OF DIFF PAIR	DIM "A"	DIM "B"	LEFT END WALL OPTION
170525-181*	8	24	16.5	13.30	
170525-111*	10	30	20.3	17.10	
170525-121*	12	36	25.5	20.90	
170525-161*	16	48	31.7	28.50	



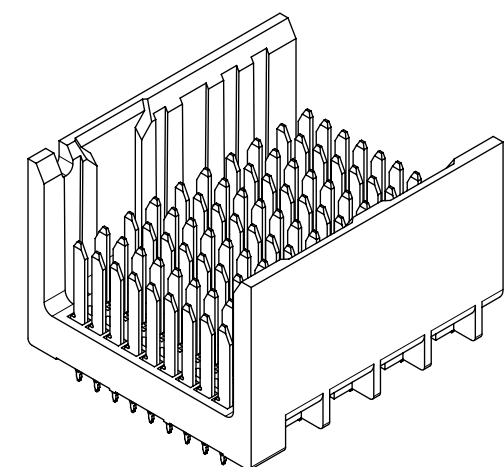
LEFT END  
WALL OPTION

MATERIAL NUMBER	# OF COLUMNS	# OF DIFF PAIR	DIM "A"	DIM "B"	RIGHT END WALL OPTION
170525-183*	8	24	16.5	13.30	
170525-113*	10	30	20.3	17.10	
170525-123*	12	36	25.5	20.90	
170525-163*	16	48	31.7	28.50	



RIGHT END  
WALL OPTION

MATERIAL NUMBER	# OF COLUMNS	# OF DIFF PAIR	DIM "A"	DIM "B"	OPEN WALL OPTION
170525-180*	8	24	15.1	13.30	
170525-110*	10	30	18.9	17.10	
170525-120*	12	36	22.7	20.90	
170525-160*	16	48	30.4	28.50	



OPEN  
WALL  
OPTION

## PART NUMBER LOGIC

170525- \* \* \* \*

MODULE TYPE

1 = UNGUIDED, MATTE TIN

# OF COLUMNS

1 = 10 COL  
2 = 12 COL  
6 = 16 COL  
8 = 8 COL

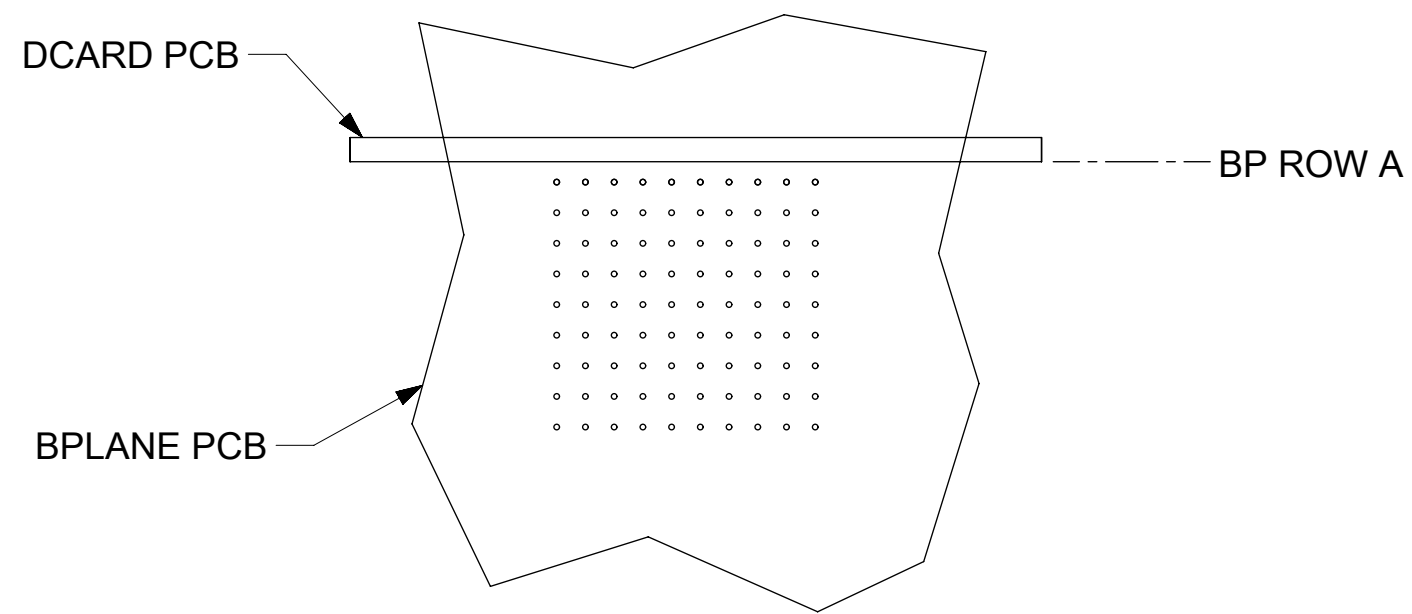
PIN LENGTH (P)

3 = 4.50 (SHORT COMPLIANT, 0.46±0.05 PTH)  
4 = 4.90 (SHORT COMPLIANT, 0.46±0.05 PTH)  
5 = 5.50 (SHORT COMPLIANT, 0.46±0.05 PTH)  
6 = 4.50 (MICRO COMPLIANT, 0.39±0.05 PTH)  
7 = 4.90 (MICRO COMPLIANT, 0.39±0.05 PTH)  
8 = 5.50 (MICRO COMPLIANT, 0.39±0.05 PTH)

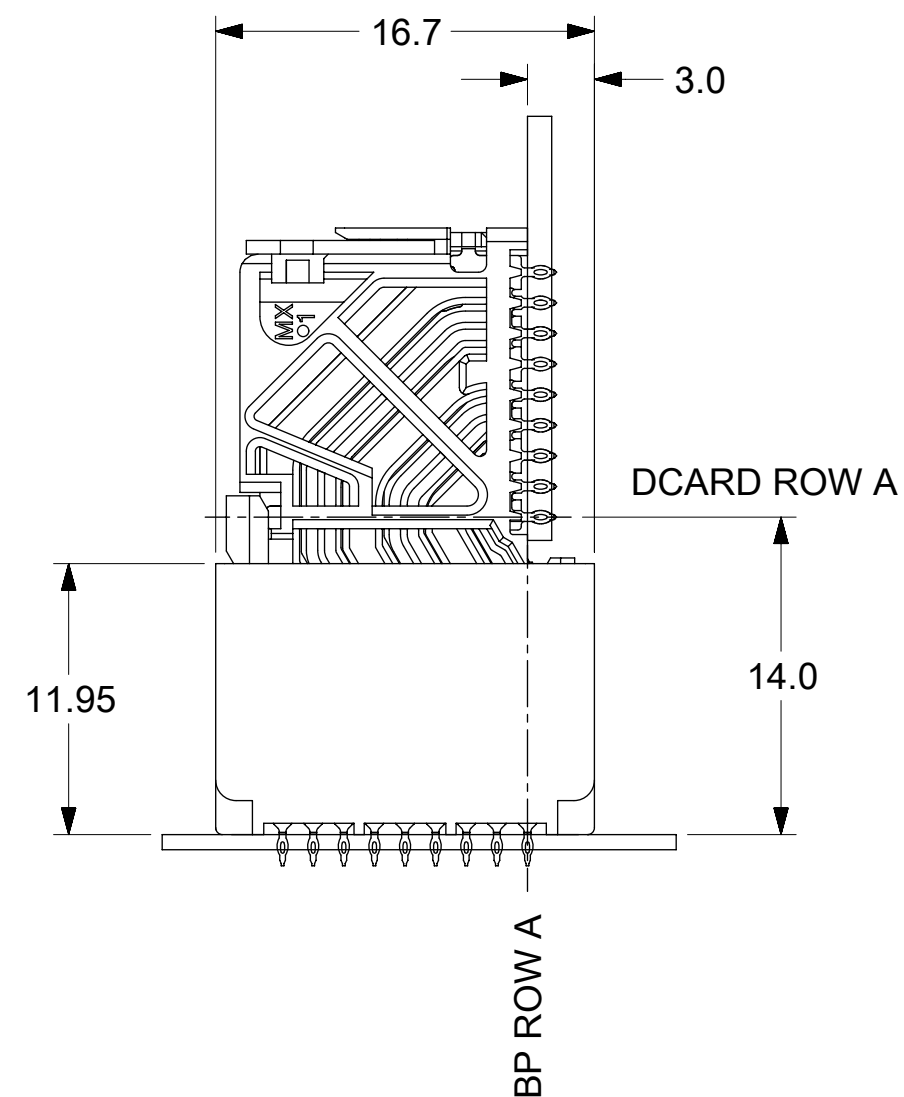
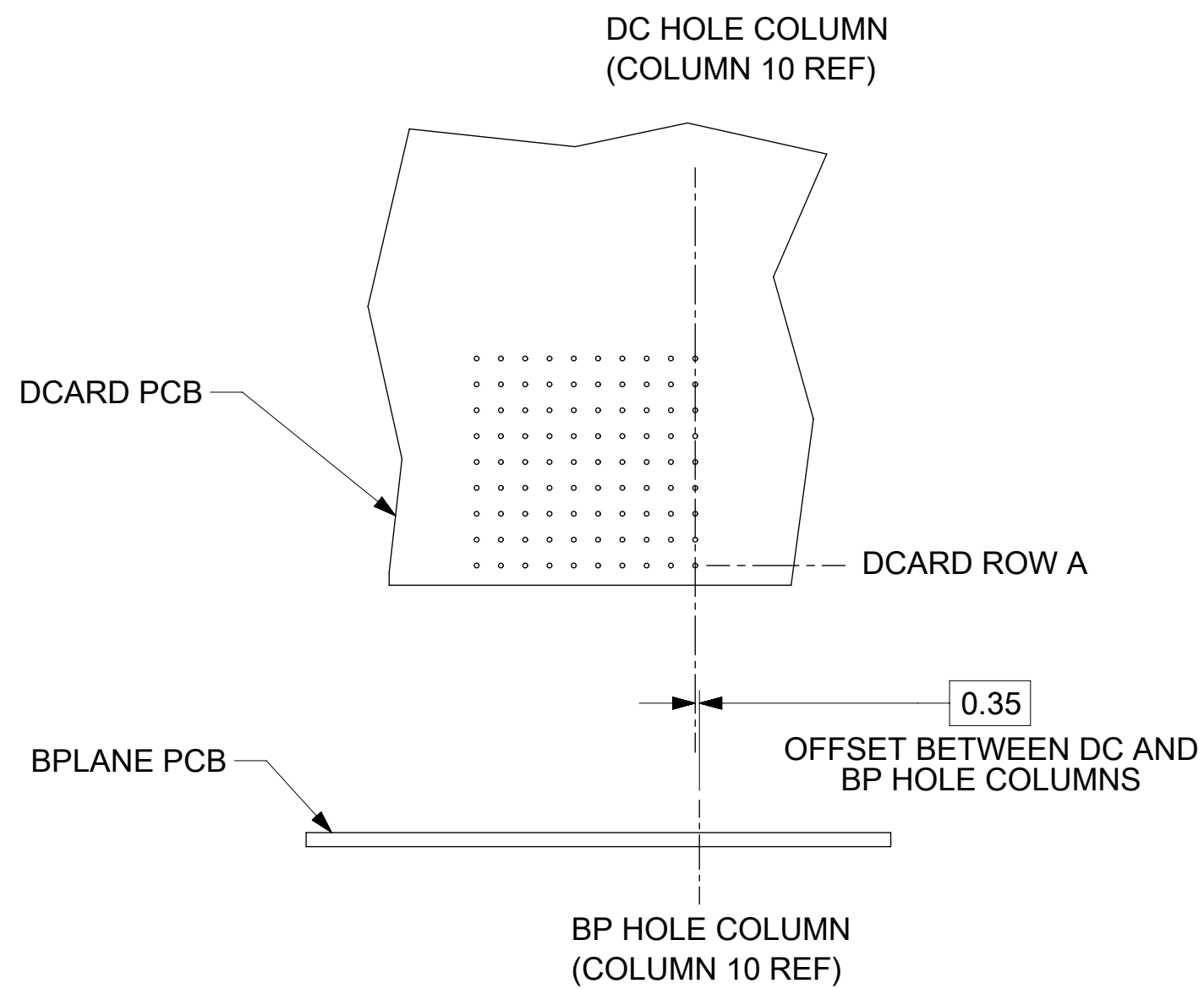
END WALL OPTIONS

0 = OPEN ENDS  
1 = LEFT END WALL  
2 = DUAL END WALL  
3 = RIGHT END WALL

QUALITY SYMBOLS	THIS DRAWING CONTAINS INFORMATION THAT IS PROPRIETARY TO MOLEX ELECTRONIC TECHNOLOGIES, LLC AND SHOULD NOT BE USED WITHOUT WRITTEN PERMISSION												
▽ = 0	EC NO: 168628 DRWN: KUCHILA CHKD: PRAMASWAMY APPR: PRAMASWAMY MIGRATED TO NX 2017/11/09 2017/11/27 2017/11/28	GENERAL TOLERANCES (UNLESS SPECIFIED)		DIMENSION UNITS	SCALE								
▽ = 0		ANGULAR TOL ± °		mm	2.5:1								
▽ = 0		4 PLACES ±	3 PLACES ±	JBINGHAM	2012/12/12								
▽ = 0		3 PLACES ±	2 PLACES ± 0.13	CHK'D BY	DATE	IMPACT 3-PAIR 85-OHM UNGUIDED BACKPLANE SALES ASSEMBLY DRAWING							
▽ = 0		2 PLACES ± 0.25	1 PLACE ±	JLAURX	2012/12/12								
▽ = 0		0 PLACES ±	DRAFT WHERE APPLICABLE MUST REMAIN WITHIN DIMENSIONS		APPR BY	DATE	PRODUCT CUSTOMER DRAWING						
▽ = 0		DRAFT WHERE APPLICABLE MUST REMAIN WITHIN DIMENSIONS		JLAURX	2013/01/28								
□ = 0		DRAFT WHERE APPLICABLE MUST REMAIN WITHIN DIMENSIONS		DRAWING SIZE	THIRD ANGLE PROJECTION	SERIES	MATERIAL NUMBER	CUSTOMER	170525 SEE CHART GENERAL MARKET				
□ = 0		DRAFT WHERE APPLICABLE MUST REMAIN WITHIN DIMENSIONS		C		DOC TYPE	DOC PART	SHEET NUMBER					
▽ = 0		DRAFT WHERE APPLICABLE MUST REMAIN WITHIN DIMENSIONS				PSD	001	2 OF 3					



**IMPACT 3 PAIR  
BOARD RELATIONSHIPS**



QUALITY SYMBOLS		THIS DRAWING CONTAINS INFORMATION THAT IS PROPRIETARY TO MOLEX ELECTRONIC TECHNOLOGIES, LLC AND SHOULD NOT BE USED WITHOUT WRITTEN PERMISSION									
▽ = 0	▽ = 0	MIGRATED TO NX EC NO: 168628 DRWN: KUCHILA CHKD: PRAMASWAMY REV APPR: PRAMASWAMY	2017/11/09 2017/11/27 2017/11/28	GENERAL TOLERANCES (UNLESS SPECIFIED)			DIMENSION UNITS	SCALE	<b>molex</b>		
▽ = 0	▽ = 0			ANGULAR TOL ± °			mm	1:1			
▽ = 0	▽ = 0			4 PLACES ±			DRWN BY	DATE	IMPACT 3-PAIR 85-OHM UNGUIDED BACKPLANE SALES ASSEMBLY DRAWING		
▽ = 0	▽ = 0			3 PLACES ±			JBINGHAM	2012/12/12			
▽ = 0	▽ = 0			2 PLACES ± 0.13			CHKD BY	DATE	PRODUCT CUSTOMER DRAWING		
▽ = 0	▽ = 0			1 PLACE ± 0.25			JLAURX	2012/12/12			
▽ = 0	▽ = 0	0 PLACES ±			APPR BY	DATE	SERIES	MATERIAL NUMBER	CUSTOMER		
▽ = 0	▽ = 0	DRAFT WHERE APPLICABLE MUST REMAIN WITHIN DIMENSIONS			JLAURX	2013/01/28	170525	SEE CHART	GENERAL MARKET		
▽ = 0	▽ = 0	D1	C	THIRD ANGLE PROJECTION		DRAWING SIZE		DOCUMENT NUMBER			
								SD-170525-0001		DOCSHEET SHEET NUMBER	
								PSD	001	3 OF 3	