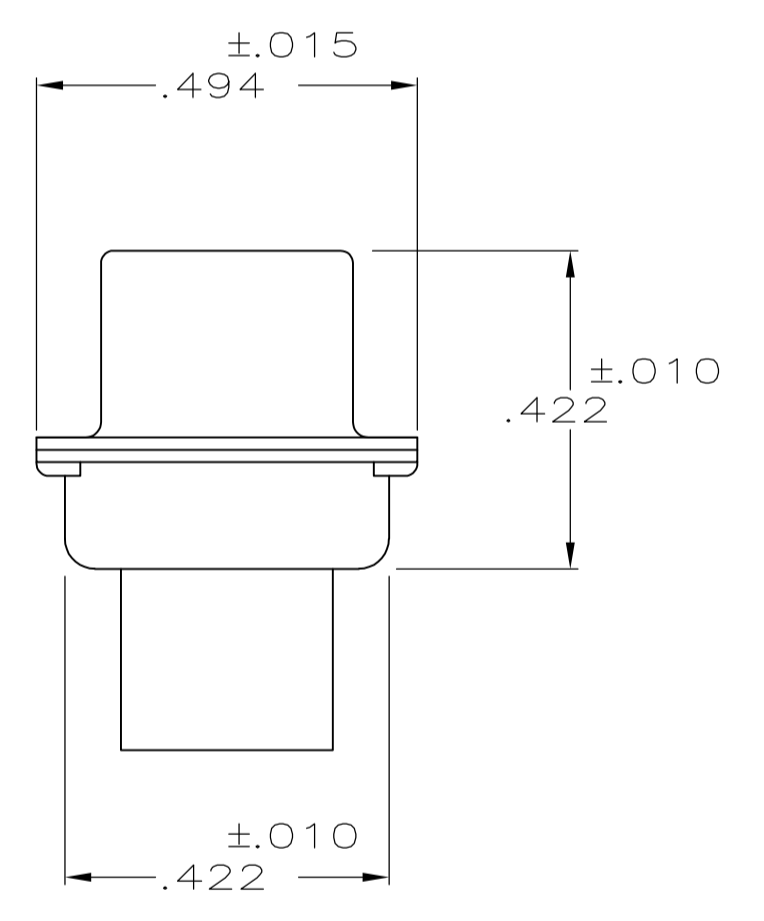
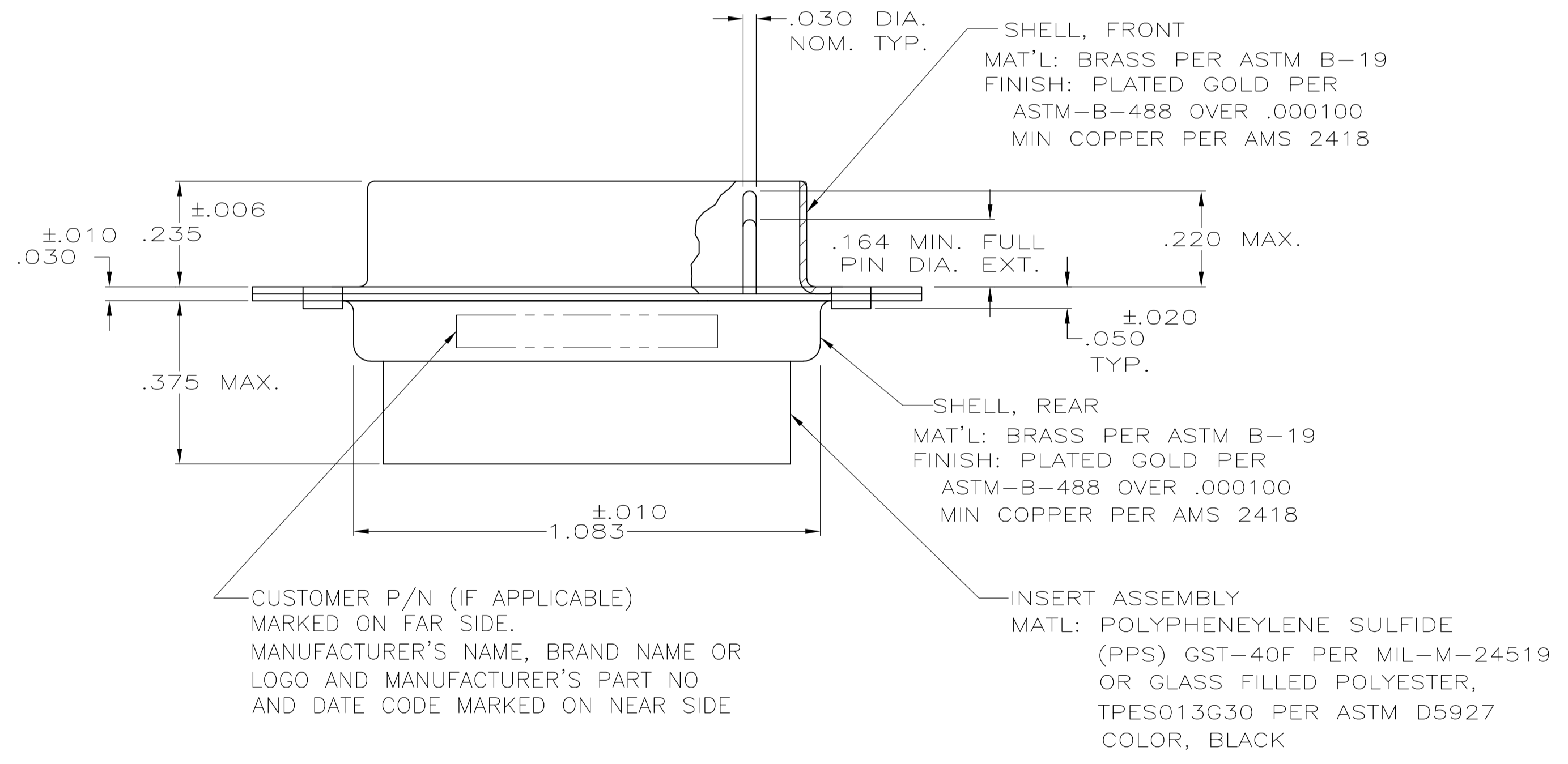
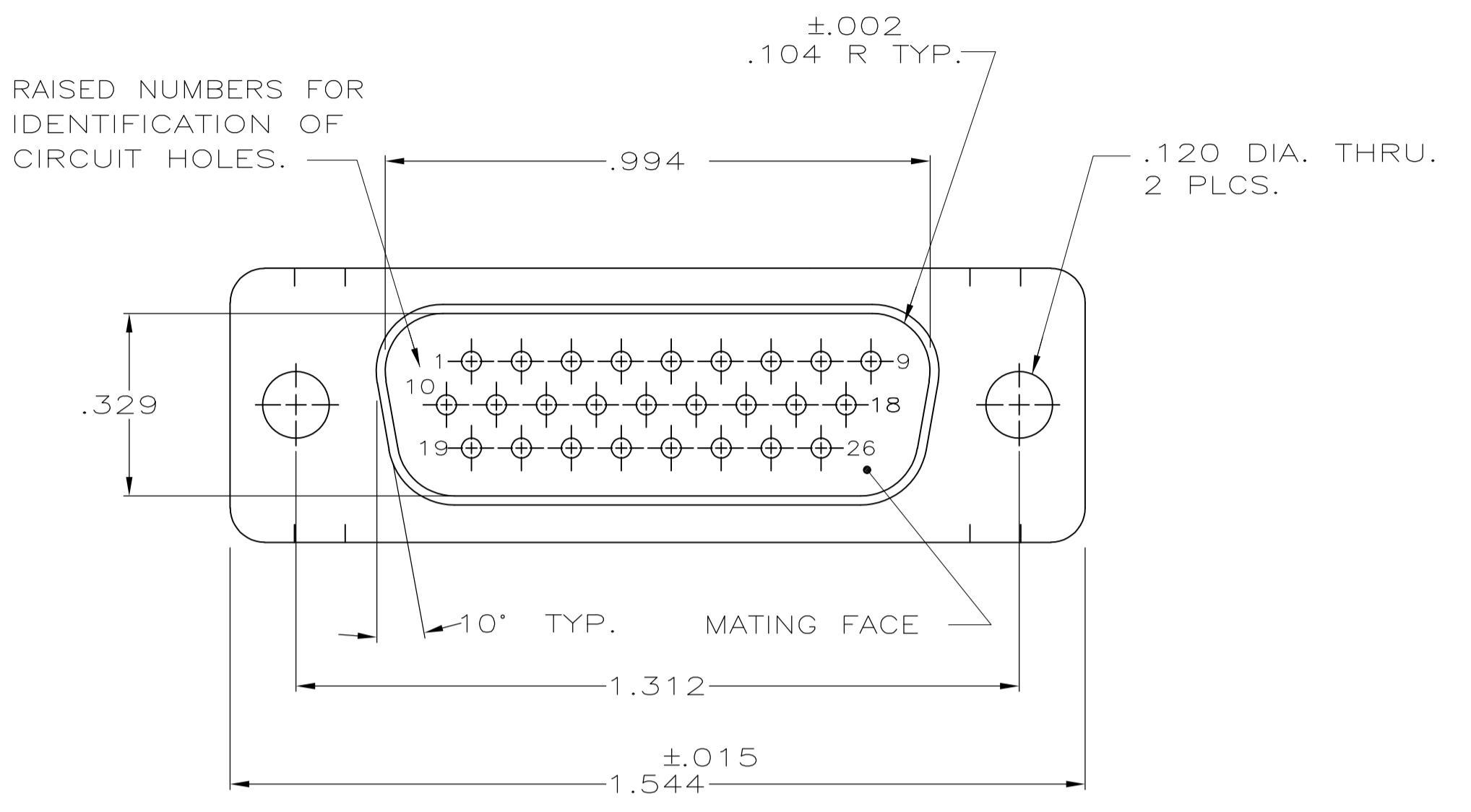


LOC		DIST		REVISIONS			
DF	DO	REV	DESCRIPTION	DATE	DWN	APVD	
F		1	REV PER ECO-10-001162	27JAN10	PY	RL	

1. THIS PLUG WILL MATE WITH ANY SIZE 2,26 POSN. RECEPTACLE IN AMPLIMITE SERIES.
2. CONNECTOR SUPPLIED WITHOUT CONTACTS; SHOWN FOR ILLUSTRATION ONLY.
3. BE-CU RETENTION CLIPS ARE INCLUDED IN INSERTS AND INSTALLED WITH TINES POINTING TOWARDS MATING FACE.
4. OVERALL DIMENSIONS DO NOT INCLUDE RAISED CAVITY IDENTIFICATION
5. MARKING FAR SIDE REFERS TO WIDE SIDE OF KEYSTONE. NEAR SIDE REFERS TO NARROW SIDE OF KEYSTONE
6. 100% INSPECTION REQUIRED PER BOEING 1B01:
 A. VISUAL
 B. DWV
 C. IR
7. CUSTOMER REQUIRES SINGLE LOT DATE CODE.



REMARKS	CUSTOMER PART NUMBER	PART NO.
6	1B01-008PHW	1-211650-1
6	1B01-008	211650-1

THIS DRAWING IS A CONTROLLED DOCUMENT.		DIN 3-12-84		Tyco Electronics Corporation	
DIMENSIONS: INCHES		D. ERDMAN 4-26-84		Harrisburg, PA 17105-3608	
TOLERANCES UNLESS OTHERWISE SPECIFIED:		C/K B. YOHN 7-5-84		NAME	
0. PLC ± -		G. SACUNAS		PLUG ASS'Y., AMPLIMITE, 26 POSN, SIZE 2, SERIES 90 NON-MAGNETIC	
1. PLC ± -		APPLICATION SPEC		SIZE	
2. PLC ± -		CAGE CODE		DRAWING NO	
3. PLC ± .005		A1		00779	
4. PLC ± -		C=211650		RESTRICTED TO	
ANGLES ± - 0°30'		WEIGHT		-	
MATERIAL SEE CALLOUTS		FINISH SEE CALLOUTS		CUSTOMER DRAWING	
		SCALE 4:1		SHEET 1 OF 1	
				REV F	