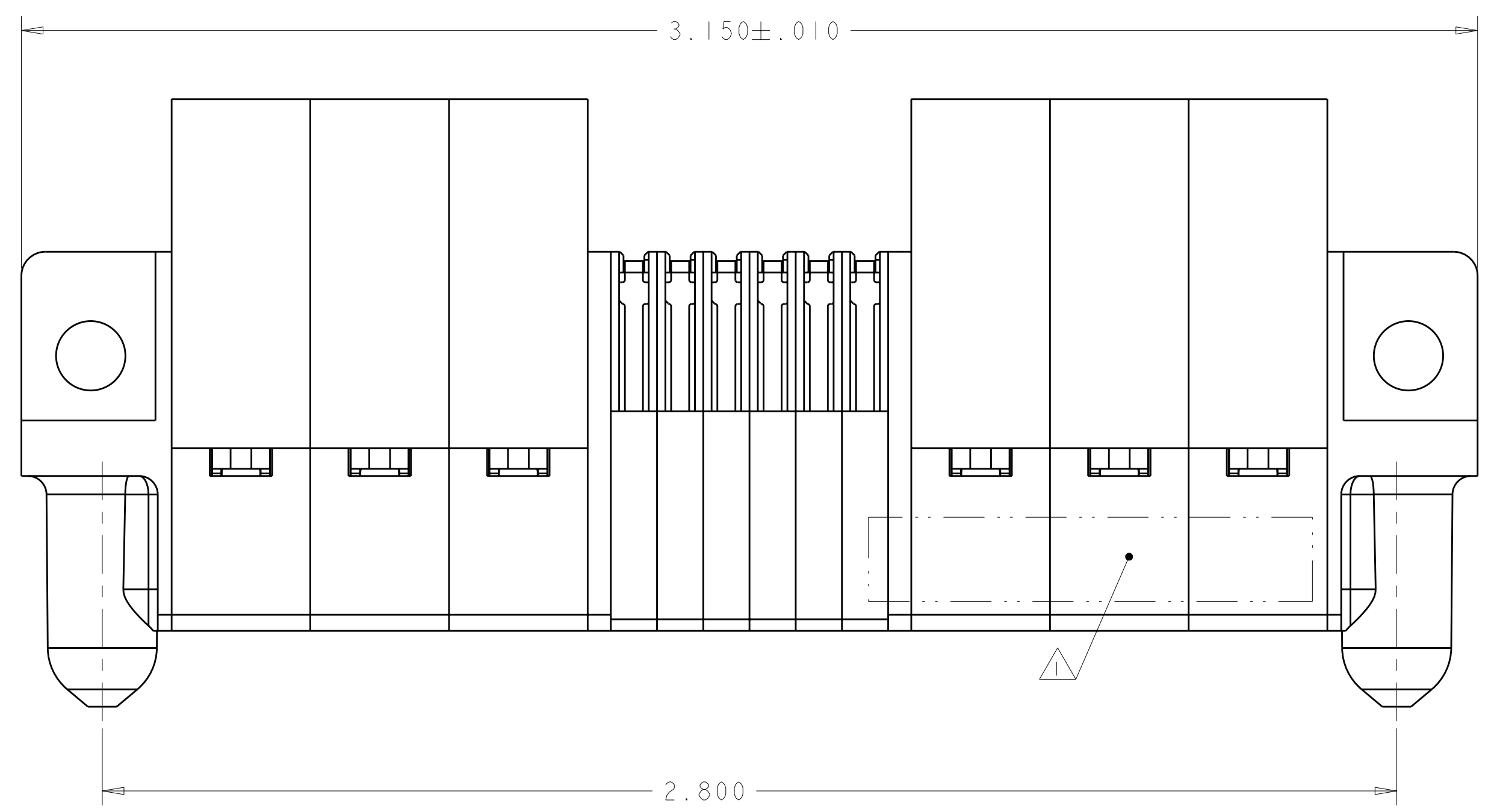
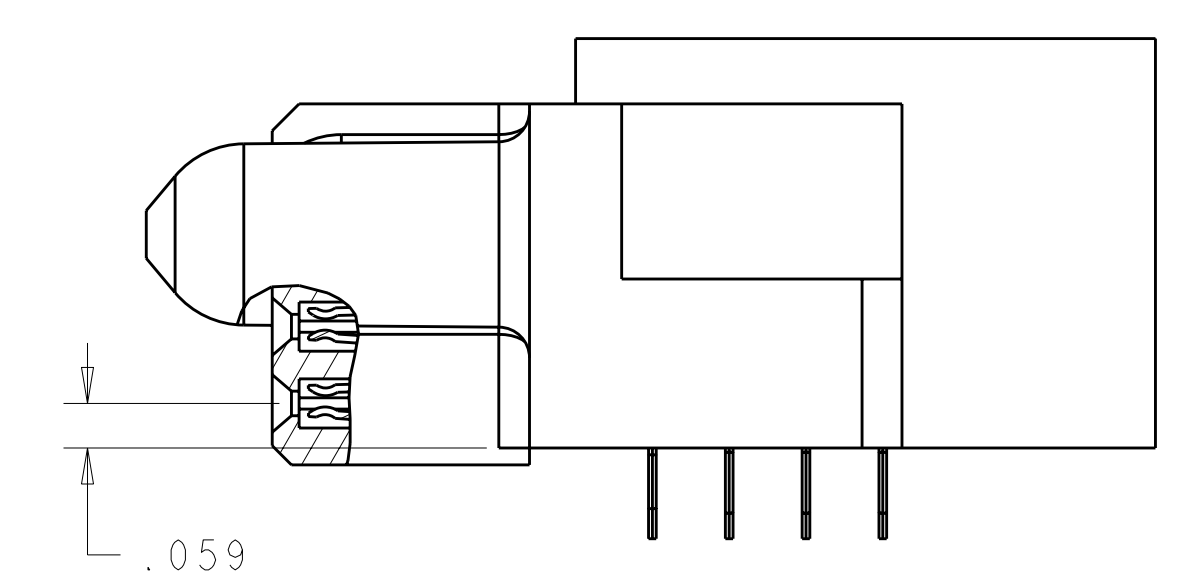
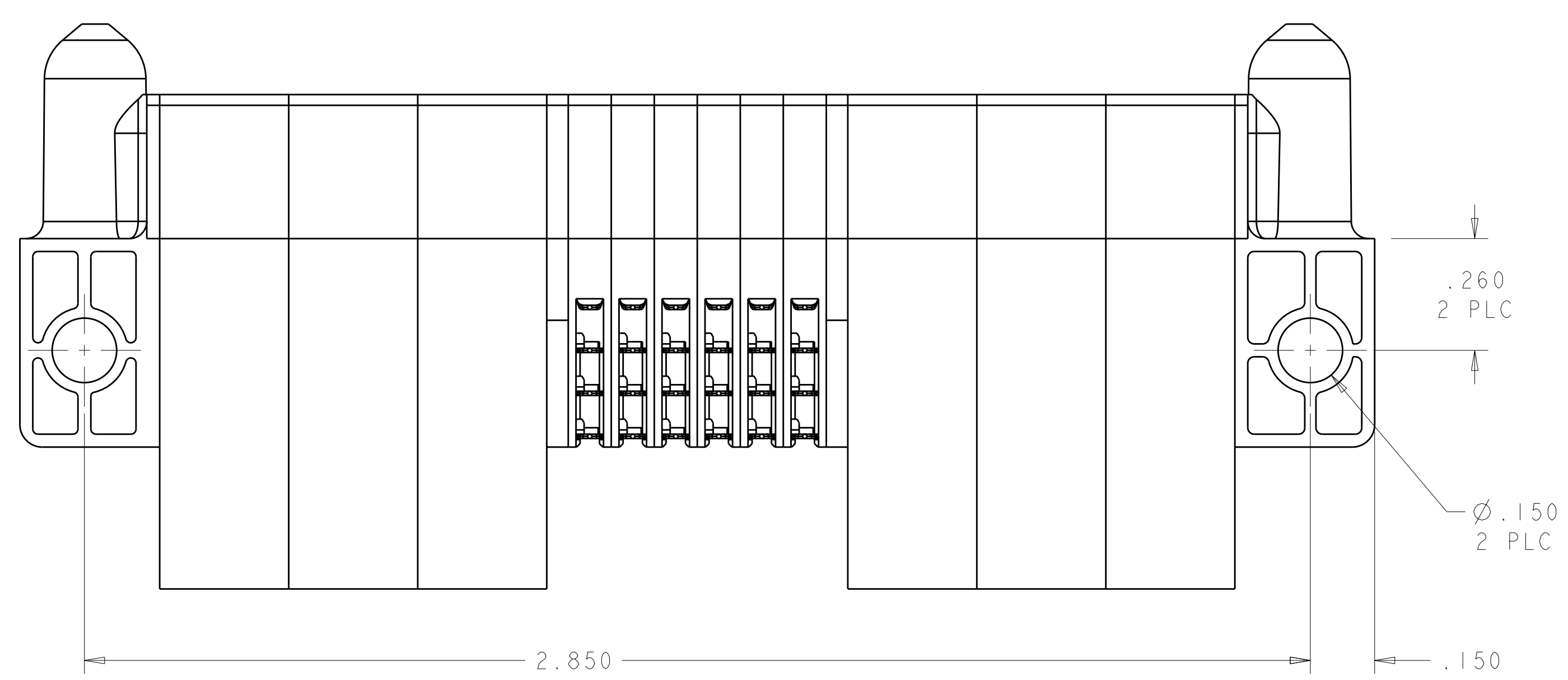
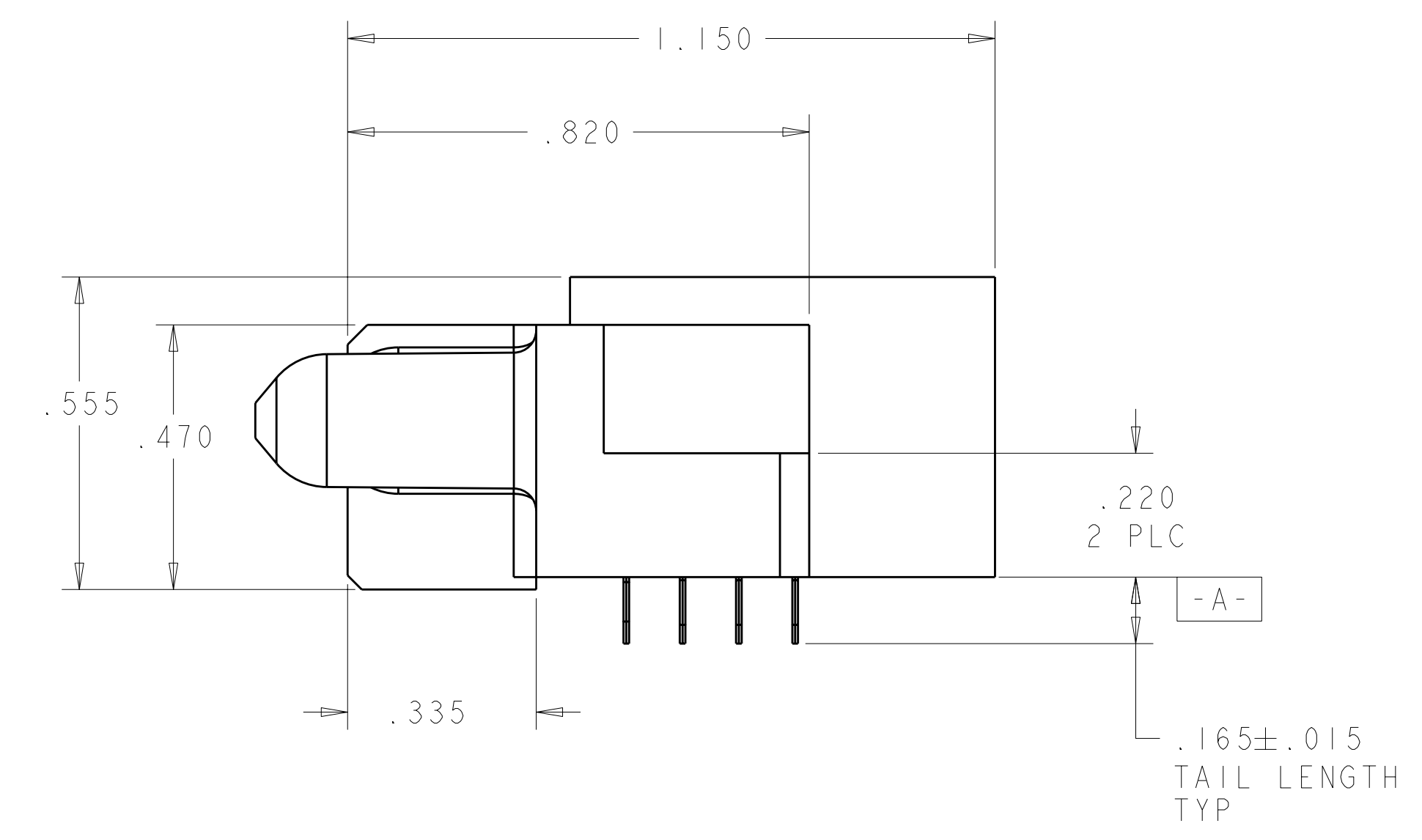
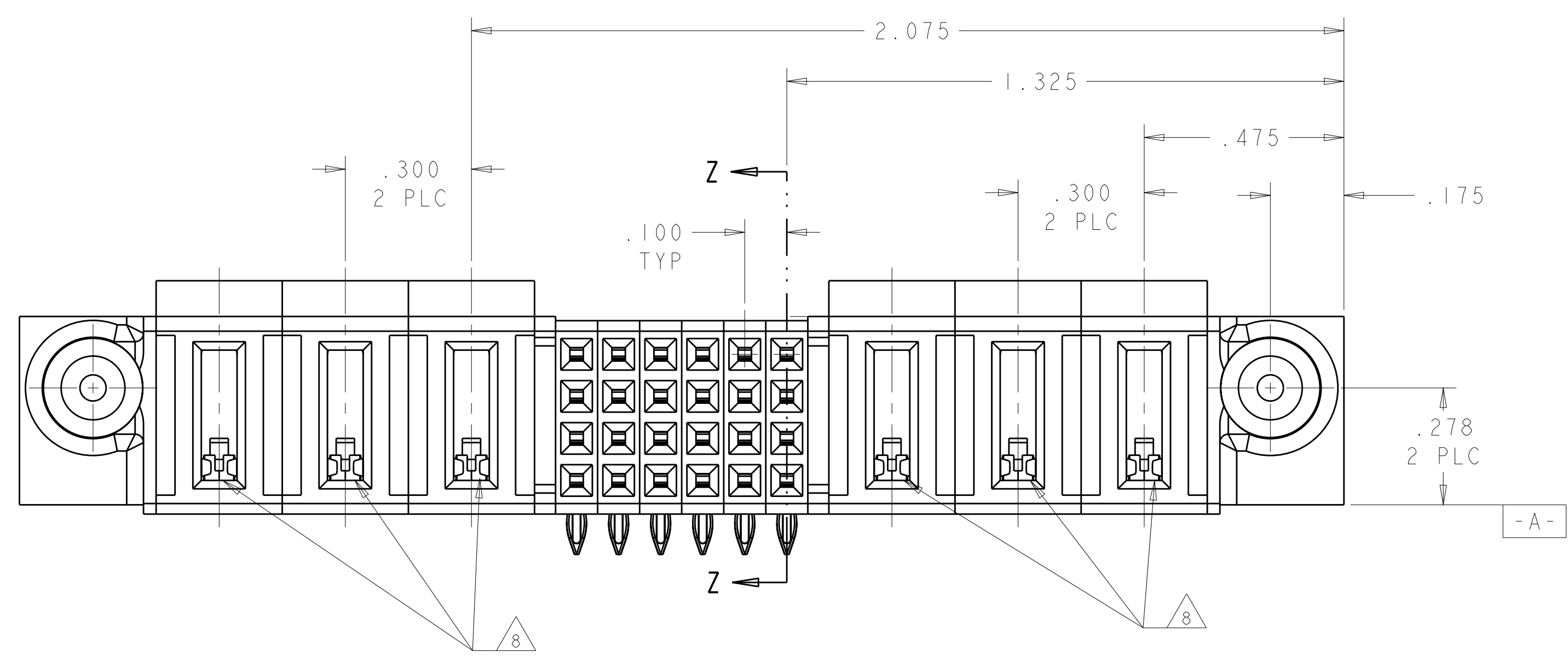


LOC	DIST	REVISIONS			
ES	00	REV	DATE	DWN	APVD
		A	INITIAL RELEASE	6AUG2007	DZ SY



- △ "AMP", PART NUMBER AND DATE CODE TO BE MARKED
- △ MATERIAL: HOUSING - GLASS FILLED HIGH TEMP THERMO PLASTIC, UL94 V-0, BLACK.
SIGNAL CONTACT - HIGH CONDUCTIVITY COPPER ALLOY
- △ CONTACT PLATING: SIGNAL CONTACTS - .000050 MIN Ni UNDER ALL.
.000030 MIN Au ON CONTACT AREA
.000100 MIN Sn AT PCB INTERFACE.
- △ MECHANICAL CONNECTOR KEEP OUT ZONE.
- △ DATUM AND BASIC DIMENSIONS ESTABLISHED BY CUSTOMER.
- △ PCB - ALL HOLE DIAMETERS ARE FINISHED HOLE SIZES
- △ PCB - .0453±.0010 DRILLED HOLES PLATED WITH .0003 MIN Sn
OVER .001 TO .003 Cu PLATING TO ACHIEVE A .040 DIAMETER HOLE
- △ A/C POWER CABLE CONTACT LOADED IN THESE CAVITIES.



3ACP + 24S + 3ACP 1888179-1

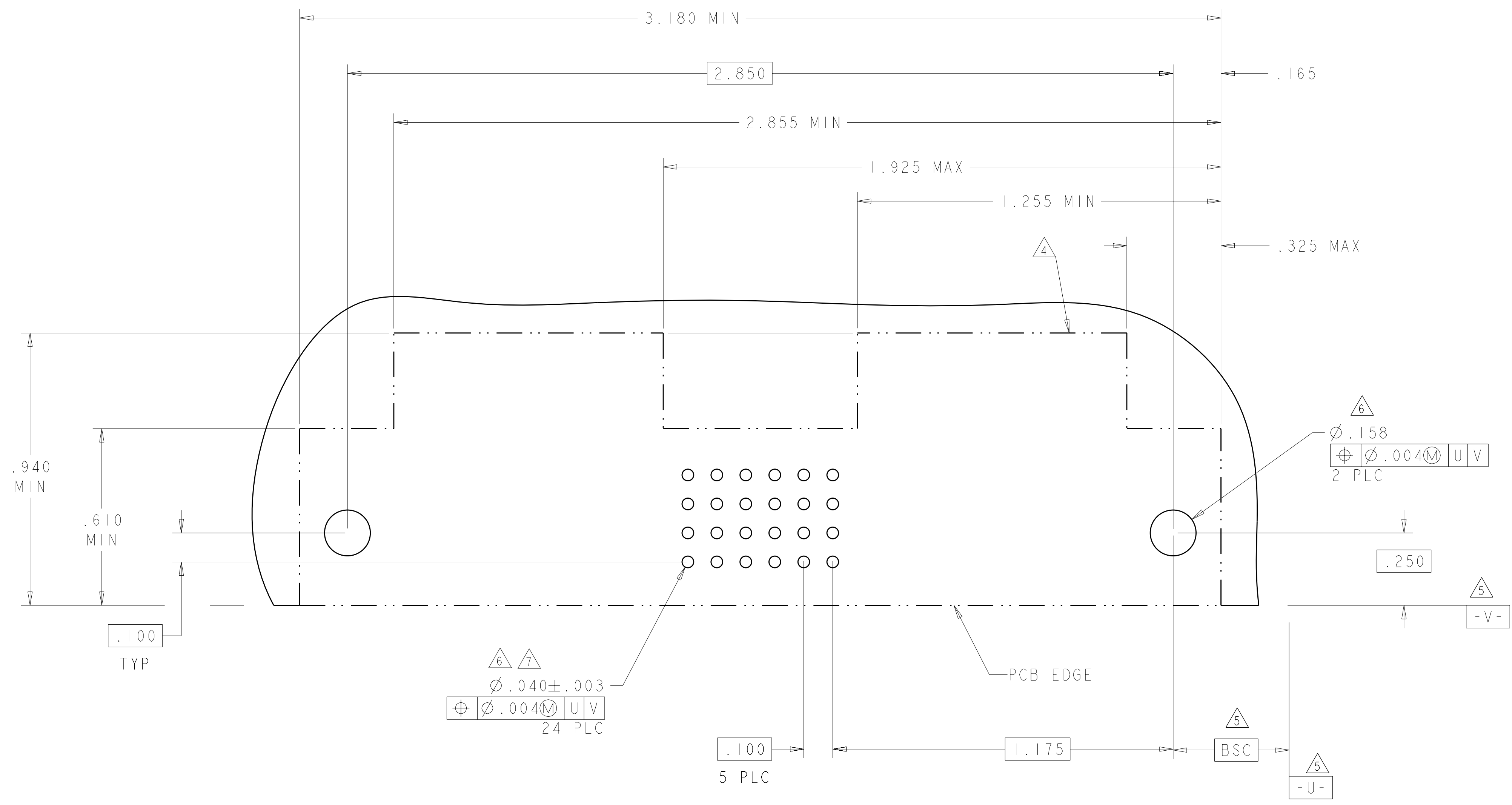
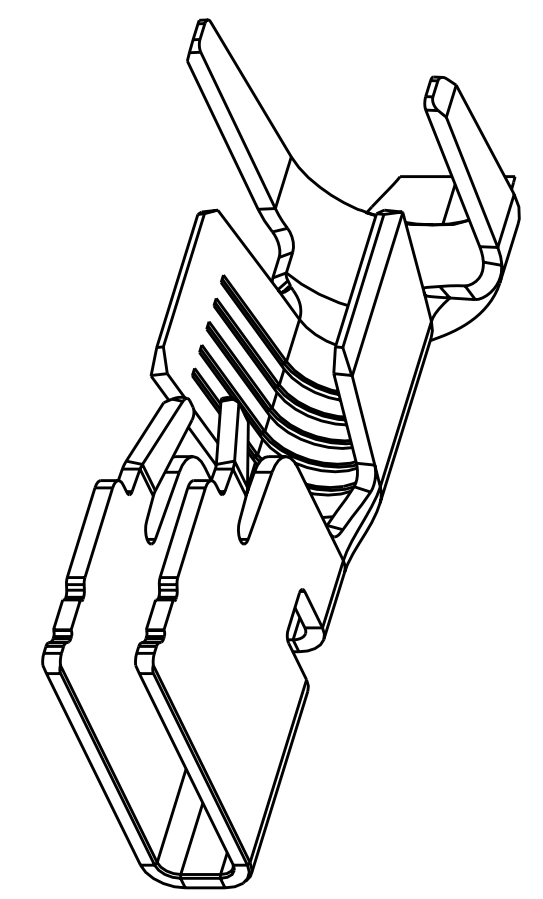
DESCRIPTION PART NUMBER

RIGHT ANGLE RECEPTACLE ASSEMBLY
A/C PASS THRU W/GUIDES
MULTI-BEAM XL

DIMENSIONS: INCHES	TOLERANCES UNLESS OTHERWISE SPECIFIED:	DWN: D. ZHU	6AUG2007	Tyco Electronics Corporation Shanghai, P.R. China, 200233
9 PLC ±.01	1 PLC ±.01	CHK: S. ZHAO	6AUG2007	
5 PLC ±.005	4 PLC ±.0020	APVD: S. YAO		NAME: S. YAO
MATERIAL	FINISH	PRODUCT SPEC	108-1973	SIZE: CAGE CODE DRAWING NO
		APPLICATION SPEC	114-13038	RESTRICTED TO
		WEIGHT		A 00779 C=1888179
		CUSTOMER DRAWING		SCALE 4:1 SHEET 1 OF 2 REV A

LOC	DIST	REV	DATE	BY	APPD
ES	00				
DESCRIPTION			DATE	DWN	APPD
SEE SHEET 1					

PART NUMBER	ROWS	POWER			SIGNAL						POWER				
		P6	P5	P4	6	5	4	3	2	1	P3	P2	PI		
1888179-1	D C B A	STD	STD	STD	DD	DD	DD	DD	DD	DD	DD	DD	STD	STD	MFB
					CC	CC	CC	CC	CC	CC	CC	CC			
					BB	BB	BB	BB	BB	BB	BB	BB			
3ACP + 24S + 3ACP					AA	AA	AA	AA	AA	AA	AA				



CODE	DESCRIPTION	ROW
DD	SIGNAL CONTACT, PRESS FIT	D
CC	SIGNAL CONTACT, PRESS FIT	C
BB	SIGNAL CONTACT, PRESS FIT	B
AA	SIGNAL CONTACT, PRESS FIT	A

DIMENSIONS: INCHES 		TOLERANCES UNLESS OTHERWISE SPECIFIED: 9 PLC ±. 8 PLC ±.01 5 PLC ±.005 4 PLC ±.0020 ANGLES #2 FINISH		DWN D. ZHU 6AUG2007 CHK S. ZHAO 6AUG2007 APVD S. YAO NAME PRODUCT SPEC 108-1973 APPLICATION SPEC 114-13038 WEIGHT CUSTOMER DRAWING		Tyco Electronics Corporation Shanghai, P.R.China. 200233 RIGHT ANGLE RECEPTACLE ASSEMBLY A/C PASS THRU W/GUIDES MULTI-BEAM XL SIZE CAGE CODE DRAWING NO RESTRICTED TO A11 00779 C=1888179 SCALE 4:1 SHEET 2 OF 2 REV A	
---------------------------	--	--	--	---	--	---	--