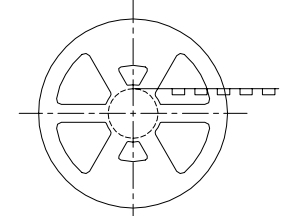
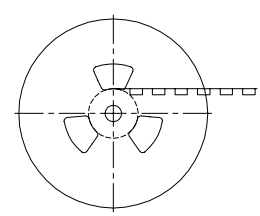
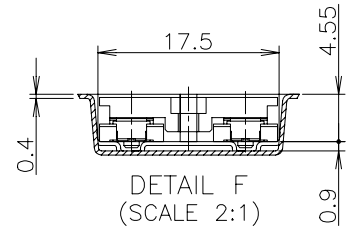
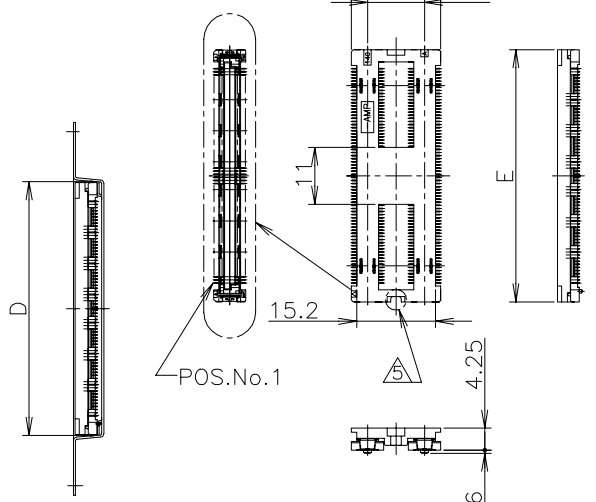
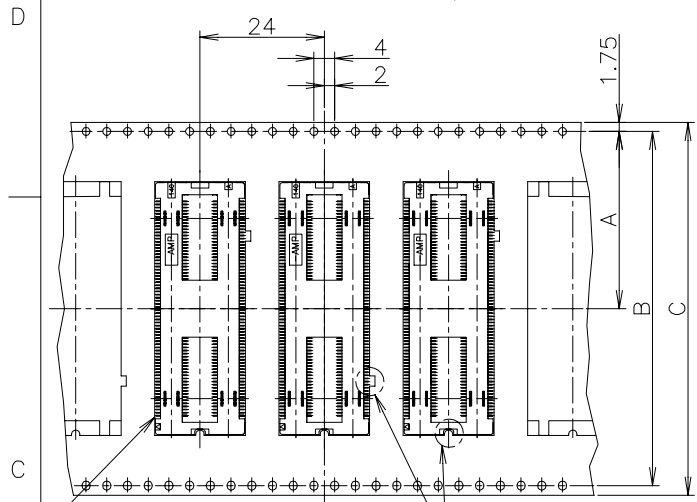


REVISIONS					
P	LTR	DESCRIPTION	DATE	DWN	APVD
B		ECO-20-017853: G-CONTACT TAIL GOLD FLASH	18DEC2020	A.L	H.L

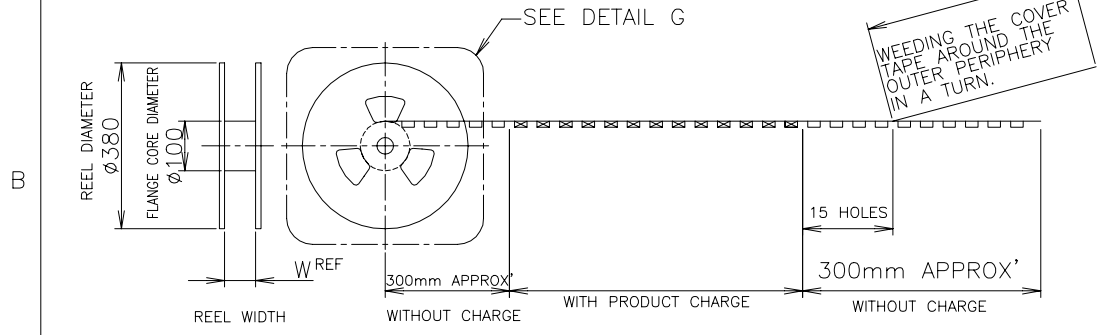


CONNECTOR DETAIL

PAPER REEL

PLASTIC REEL

DETAIL G



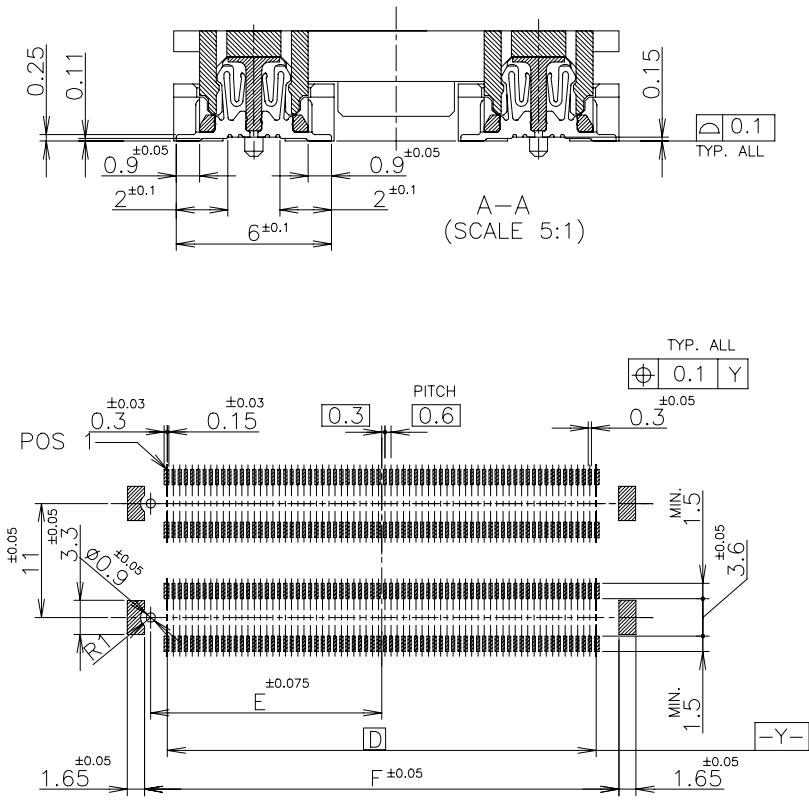
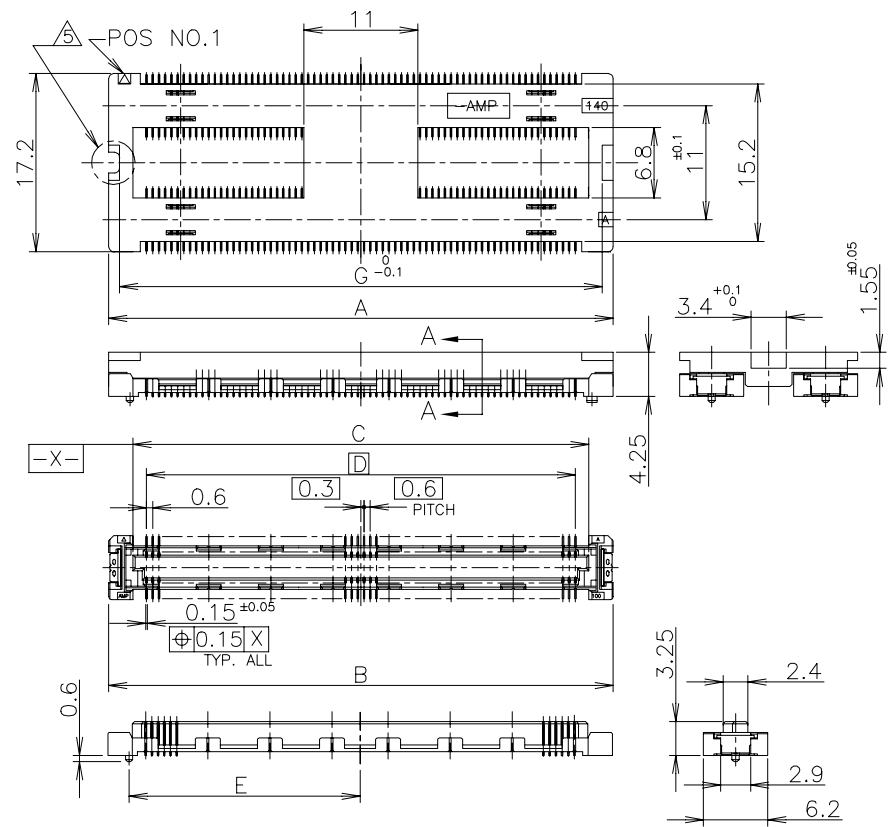
SEALANT	REEL	TOOLING STATUS	QTY	W	E	D	C	B	A	POS.	PART NO.
---	NOT AVAILABLE	650	77.5	54.7	55	72	68.4	34.2	320	6-5353906-1	
---	NOT AVAILABLE	↑	77.5	48.7	49	72	68.4	34.2	280	6-↑-0	
---	NOT AVAILABLE	↑	61.5	42.7	43	56	52.4	26.2	240	5-↑-9	
---	NOT AVAILABLE	650	61.5	36.7	37	56	52.4	26.2	200	5-5353906-8	
---	NOT AVAILABLE	650	77.5	54.7	55	72	68.4	34.2	320	1-5353906-1	
PLASTIC	AVAILABLE	↑	77.6	48.7	49	72	68.4	34.2	280	1-↑-0	
---	NOT AVAILABLE	↑	61.5	42.7	43	56	52.4	26.2	240	↑-9	
---	NOT AVAILABLE	650	61.5	36.7	37	56	52.4	26.2	200	5353906-8	

- △ THIS PRODUCT WAS COATED BY FLUX-PENETRATION -INHIBITING AGENT.
- △ CAP HOUSING AND EMBOSS TAPE FOR ONLY 280P HAS THESE ORIENTATION AND SUNK FEATURES.

THIS DRAWING IS A CONTROLLED DOCUMENT.

DIMENSIONS: 單位: 耗 mm	TOLERANCES UNLESS OTHERWISE SPECIFIED: 一般公差	DWN HAWKING HE 13DEC04	TE Connectivity Ltd.	
0 PLC ± 0.2 1 PLC ± 0.2 2 PLC ± 0.2 3 PLC ± 0.2 4 PLC ANGLES ± 5'	APVD I.ENOMOTO 13DEC04	NAME STEVEN YAO		
MATERIAL 材料	FINISH 仕上	PRODUCT SPEC 製品規格 108-60047	EMBOSS ASSY	
		APPLICATION SPEC 取付適用規格 114-5255	FH 0.6BTB REC. 4H 2ROW TYPE	
		WEIGHT	W/G-CONT ONE SIDE BOSS LESS TYPE	
		CUSTOMER DRAWING	SIZE A3	RESTRICTED TO
			CAGE CODE 00779	DRAWING NO. 番号 G=5353906
			SCALE 尺度 1:1	SHEET 1 OF 3
				REV B

REVISIONS					
変更					
P	LTR	DESCRIPTION	DATE	DWN	APVD
-	-	SEE SHEET 1	-	-	-



REFERENCE P.C.BOARD LAYOUT

NOT AVAILABLE	52.6	51.8	25.3	47.4	50	54.7	54.7	320	1-353123-1
AVAILABLE	46.6	45.8	22.3	41.4	44	48.7	48.7	280	1- -0
NOT AVAILABLE	40.6	39.8	19.3	35.4	38	42.7	42.7	240	-9
AVAILABLE	34.6	33.8	16.3	29.4	32	36.7	36.7	200	353123-8
TOOLING STATUS	G	F	E	D	C	B	A	POS	CAP P/N

- ① MATERIAL ; HOUSING : HIGH TEMP THERMO PLASTIC
UL94V-0
CONTACT : COPPER ALLOY
- ② FINISH ; UNDER PL Ni 0.0013mm MIN ALL OVER.
CONTACT AREA 0.0002 MIN Au PL.
SOLDERING AREA
SIGNAL POS: 0.0005 MIN Au PL.
③ GROUND POS: 0.0005 MIN Au PL.
- ③ ■ THIS POSITION IS GROUND CIRCUIT.

GENERAL TOLERANCE
一般公差

10 ≥	±0.2
30 ≥	>10: ±0.25
100 ≥	>30: ±0.3
ANGLES: ±3°	

THIS DRAWING IS A CONTROLLED DOCUMENT.

DIMENSIONS: 单位: 耗 mm	TOLERANCES UNLESS OTHERWISE SPECIFIED: 一般公差	NAME 名称	TE Connectivity Ltd.
	0 PLC ± - 1 PLC ± - 2 PLC ± - 3 PLC ± - 4 PLC ± - ANGLES ± -	EMBOSS ASSY FH 0.6BTB CONNECTOR REC. 4H 2ROW TYPE W/G-CONT ONE SIDE BOSS LESS TYPE	
MATERIAL 材料	FINISH 仕上	SIZE A3	CAGE CODE 00779
		DRAWING NO. 番号 G=5353906	RESTRICTED TO
CUSTOMER DRAWING			SCALE 尺度 2:1
			SHEET 2 OF 3
			REV B

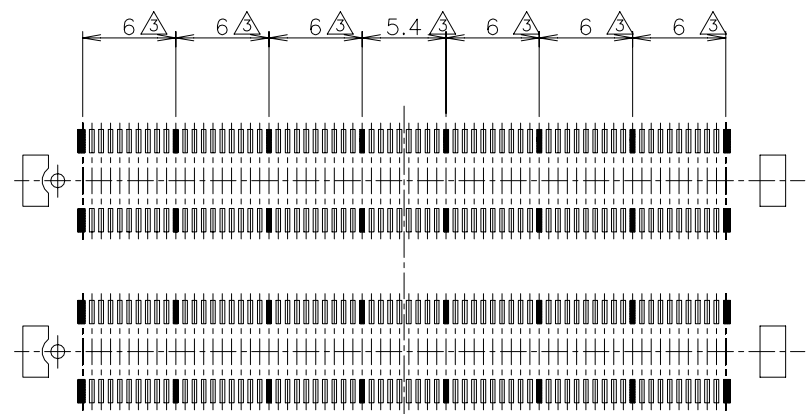
4

3

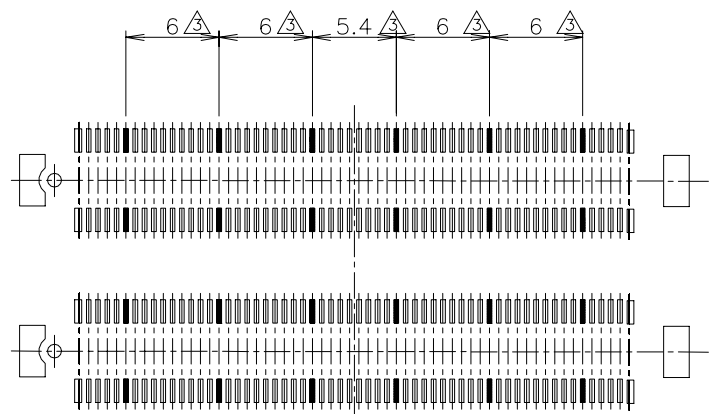
2

1

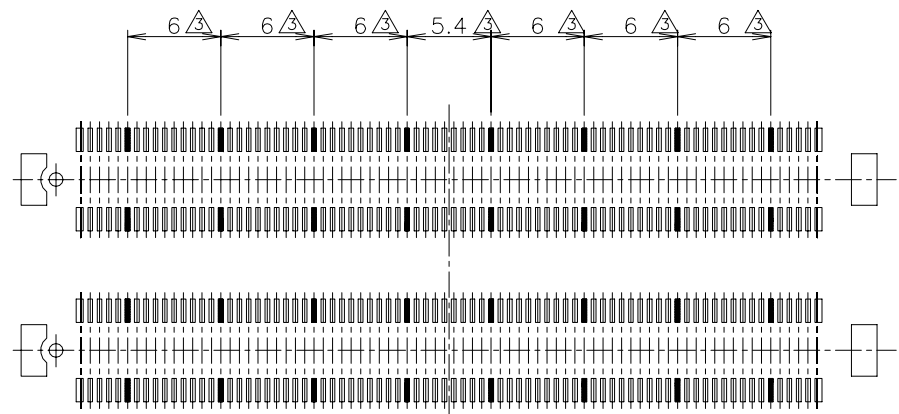
REVISIONS					
変更					
P	LTR	DESCRIPTION	DATE	DWN	APVD
	-	SEE SHEET 1	-	-	-



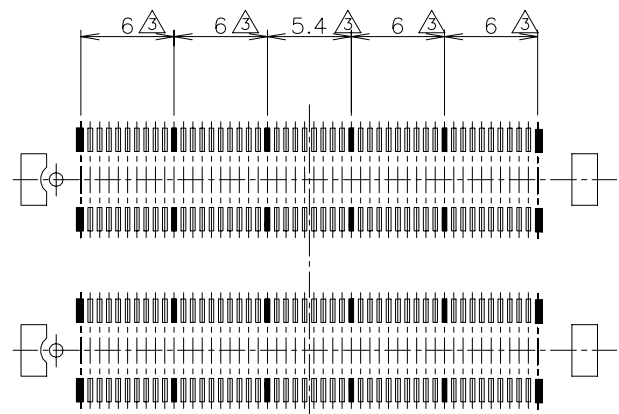
280P



240P



320P



200P

THIS DRAWING IS A CONTROLLED DOCUMENT.		DWN	TE Connectivity Ltd.		
		CHK			
DIMENSIONS: 單位: 耗 mm		APVD	NAME 名称		
TOLERANCES UNLESS OTHERWISE SPECIFIED: 一般公差		PRODUCT SPEC 製品規格	EMBOSS ASSY		
0 PLC ± -		APPLICATION SPEC 取付適用規格	FH 0.6BTB CONNECTOR REC. 4H 2ROW TYPE		
1 PLC ± -		WEIGHT	W/G-CONT ONE SIDE BOSS LESS TYPE		
2 PLC ± -		CUSTOMER DRAWING	SIZE	CAGE CODE	DRAWING NO
3 PLC ± -			A3	00779	G=5353906
4 PLC ± -					
ANGLES ± -					
FINISH 仕上			SCALE 尺度	SHEET	REV
MATERIAL 材料			3:1	3 OF 3	B

GENERAL TOLERANCE
一般公差

10 ≥ ±0.2
30 ≥ >10: ±0.25
100 ≥ >30: ±0.3
ANGLES: ±3°