

# XMLP100PD230

Electronic pressure sensors, Pressure sensors XM, transmitter, XMLP, 100 PSI, 1/4"18NPT, 4...20 mA, M12, set 1



## Main

|                           |  |
|---------------------------|--|
| Range of Product          | OsiSense XM  |
| Product or Component Type | Electronic pressure sensors  |
| Pressure sensor type      | Pressure transmitter   |
| Pressure sensor name      | XMLP   |
| Electrical circuit type   | Control circuit  |
| Pressure Rating           | 100 psi (689.48 kPa)   |
| Local display             | Without  |
| Controlled fluid          | Fresh water 32...275 °F (0...135 °C)<br>Air -40...275 °F (-40...135 °C)<br>Hydraulic oil -40...275 °F (-40...135 °C)<br>Gas -40...275 °F (-40...135 °C)<br>Refrigeration fluid -40...275 °F (-40...135 °C) |
| Fluid connection type     | 1/4" - 18 NPT (male)   |
| Electrical connection     | 1 male connector M12 4 pins  |
| [Us] rated supply voltage | 12...24 V DC SELV 7...33 V   |
| Current Consumption       | < 23 mA  |
| Type of output signal     | Analogue   |
| Analogue output function  | 4...20 mA, 2-wire  |
| Quantity per Set          | Set of 1   |
| Type of Packing           | Individual   |

## Complementary

|   |  |
|---|--|
| Pressure setting range                  | 0...100 psi (0.00...689.48 kPa)  |
| Maximum permissible accidental pressure | 300 psi (2068.43 kPa)  |
| Destruction pressure                    | 900 psi (6205.28 kPa)  |
| Materials in contact with fluid         | Stainless steel AISI 316L  |
| Operating position                      | Any position   |
| Protection Type                         | Load short-circuit<br>Reverse polarity   |
| Electromagnetic compatibility           | Electrostatic discharge immunity test EN/IEC 61000-4-2 8 kV air, 4 kV contact<br>1.2/50 µs shock waves immunity test EN/IEC 61000-4-5 1 kV 42 Ohm<br>Immunity to magnetic fields EN/IEC 61000-4-8 100 A/m 50 Hz<br>Electrical fast transient/burst immunity test EN/IEC 61000-4-4 4 kV<br>Susceptibility to electromagnetic fields EN/IEC 61000-4-3 10 V/m 80...3000 MHz<br>Radiated RF fields EN/IEC 61000-4-6 10 V 0.01...80 MHz |
| [Uimp] rated impulse withstand voltage  | 0.5 kV   |
| Response time on output                 | <= 2 ms 10...90 % of full scale  |
| Measurement accuracy                    | +/- 0.5 % of the measuring range   |
| Resolution                              | 0.1 % of the measuring range   |
| Drift of the sensitivity                | +/- 0.02 % of measuring range/°K   |
| Drift of the zero point                 | +/- 0.02 % of measuring range/°K   |
| Mechanical durability                   | 10000000 cycles  |
| Net Weight                              | 0.19 lb(US) (0.088 kg)   |
| Diameter                                | 1.02 in (26 mm)  |
| Length                                  | 1.42 in (36 mm)  |

The information provided in this documentation contains general descriptions and/or technical characteristics of the performance of the products contained herein. This documentation is not intended as a substitute for and is not to be used for determining suitability or reliability of these products for specific user applications. It is the duty of any such user or integrator to perform the appropriate and complete risk analysis, evaluation and testing of the products with respect to the relevant specific application or use thereof. Neither Schneider Electric Industries SAS nor any of its affiliates or subsidiaries shall be responsible or liable for misuse of the information contained herein.

## Environment

|                                       |  |
|---------------------------------------|--|
| Standards                             | EN/IEC 61326-2-3<br>NSF ANSI 61  |
| Product Certifications                | EAC<br>CULus<br>RCM<br>CE  |
| Protective treatment                  | TC   |
| Ambient air temperature for operation | -22...185 °F (-30...85 °C)   |
| Ambient Air Temperature for Storage   | -58...212 °F (-50...100 °C)  |
| Vibration resistance                  | 20 gn 15...2000 Hz) EN/IEC 60068-2-6   |
| Shock resistance                      | 100 gn 11 ms EN/IEC 60068-2-27   |
| IP degree of protection               | IP65 conforming to EN/IEC 60529<br>IP67 conforming to EN/IEC 60529<br>IP69K conforming to EN/IEC 60529 |

## Ordering and shipping details

|                       |  |
|-----------------------|--|
| Category              | 22419 - PRESSURE SWITCH IEC (HIGH,LOW,GEN) |
| Discount Schedule     | DS2  |
| GTIN                  | 3389119639514                              |
| Nbr. of units in pkg. | 1  |
| Package weight(Lbs)   | 3.10 oz (88 g)                             |
| Returnability         | Yes  |
| Country of origin     | CH   |

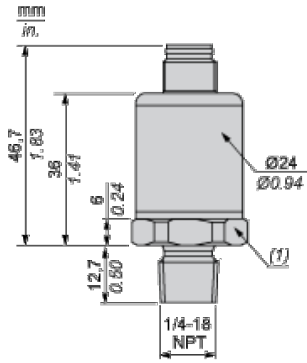
## Packing Units

|                              |                        |
|------------------------------|------------------------|
| Unit Type of Package 1       | PCE                    |
| Package 1 Height             | 1.65 in (4.2 cm)       |
| Package 1 width              | 3.39 in (8.6 cm)       |
| Package 1 Length             | 1.73 in (4.4 cm)       |
| Unit Type of Package 2       | S01                    |
| Number of Units in Package 2 | 24                     |
| Package 2 Weight             | 5.23 lb(US) (2.373 kg) |
| Package 2 Height             | 5.91 in (15 cm)        |
| Package 2 width              | 5.91 in (15 cm)        |
| Package 2 Length             | 15.75 in (40 cm)       |

## Offer Sustainability

|                            |   |
|----------------------------|---|
| Sustainable offer status   | Green Premium product   |
| California proposition 65  | WARNING: This product can expose you to chemicals including: Diisononyl phthalate (DINP), which is known to the State of California to cause cancer, and Di-isodecyl phthalate (DIDP), which is known to the State of California to cause birth defects or other reproductive harm. For more information go to <a href="http://www.P65Warnings.ca.gov">www.P65Warnings.ca.gov</a> |
| REACH Regulation           | <a href="#">REACH Declaration</a>   |
| EU RoHS Directive          | Pro-active compliance (Product out of EU RoHS legal scope) <a href="#">EU RoHS Declaration</a>  |
| Mercury free               | Yes   |
| RoHS exemption information | <a href="#">Yes</a>   |
| Environmental Disclosure   | <a href="#">Product Environmental Profile</a>   |

Dimensions



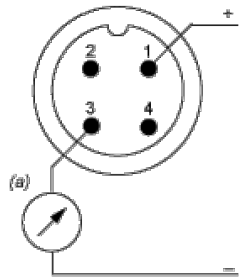
(1) SW24 tightening torque  $\leq 25$  N.m / 221 lb-in

---

## Wiring Diagram

---

### 2-Wire Technique (4-20 mA)



(a) I out

Curves

