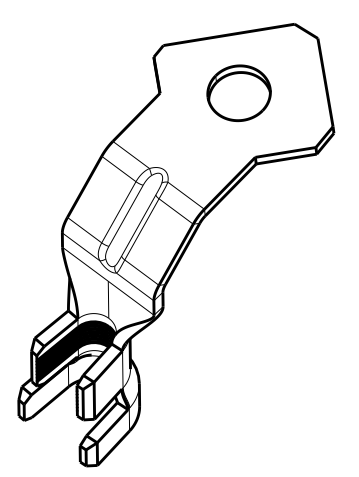
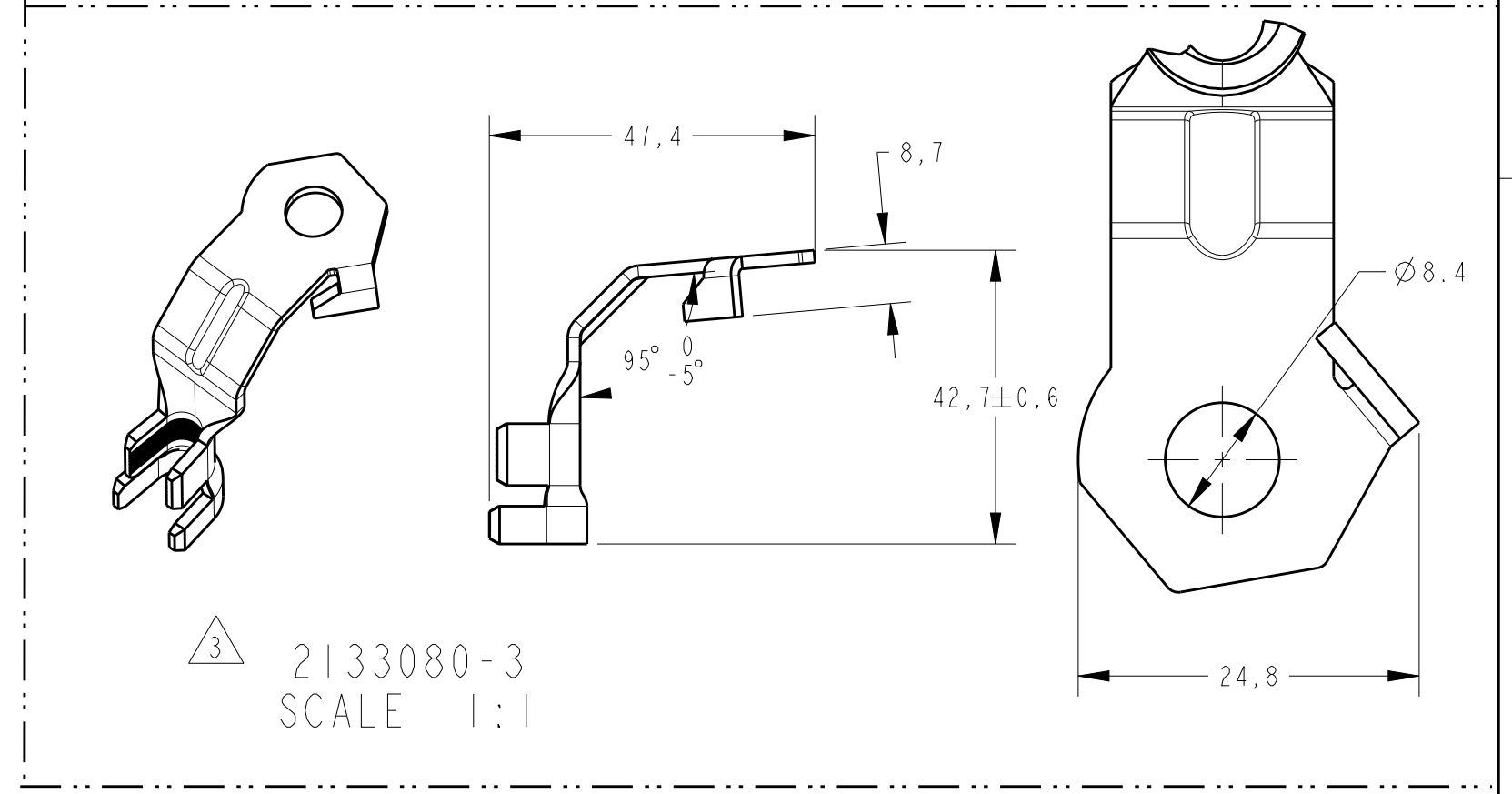
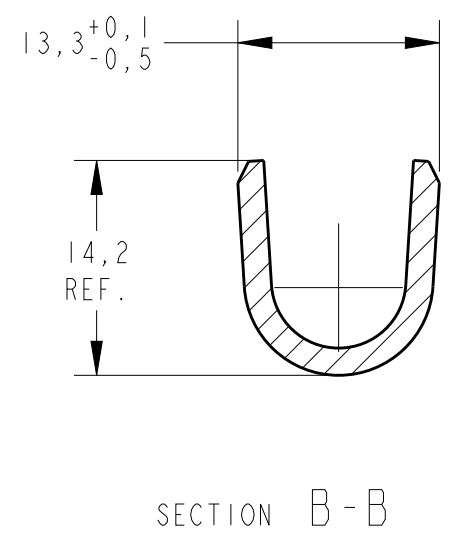
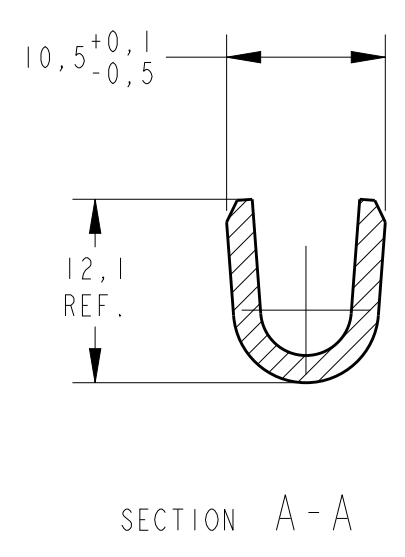
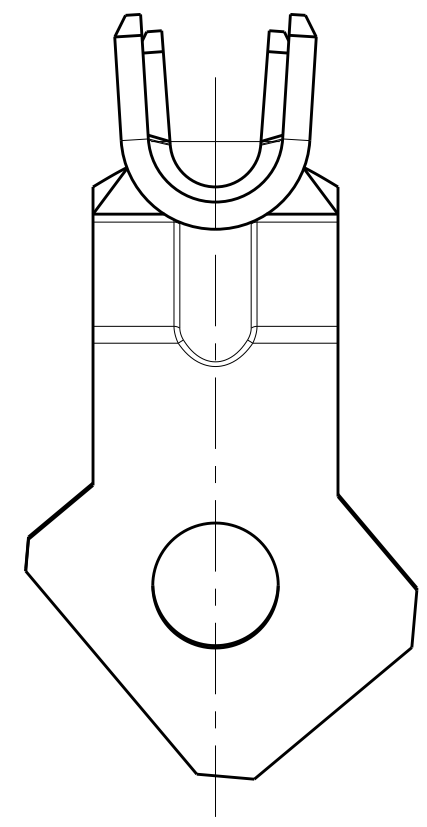
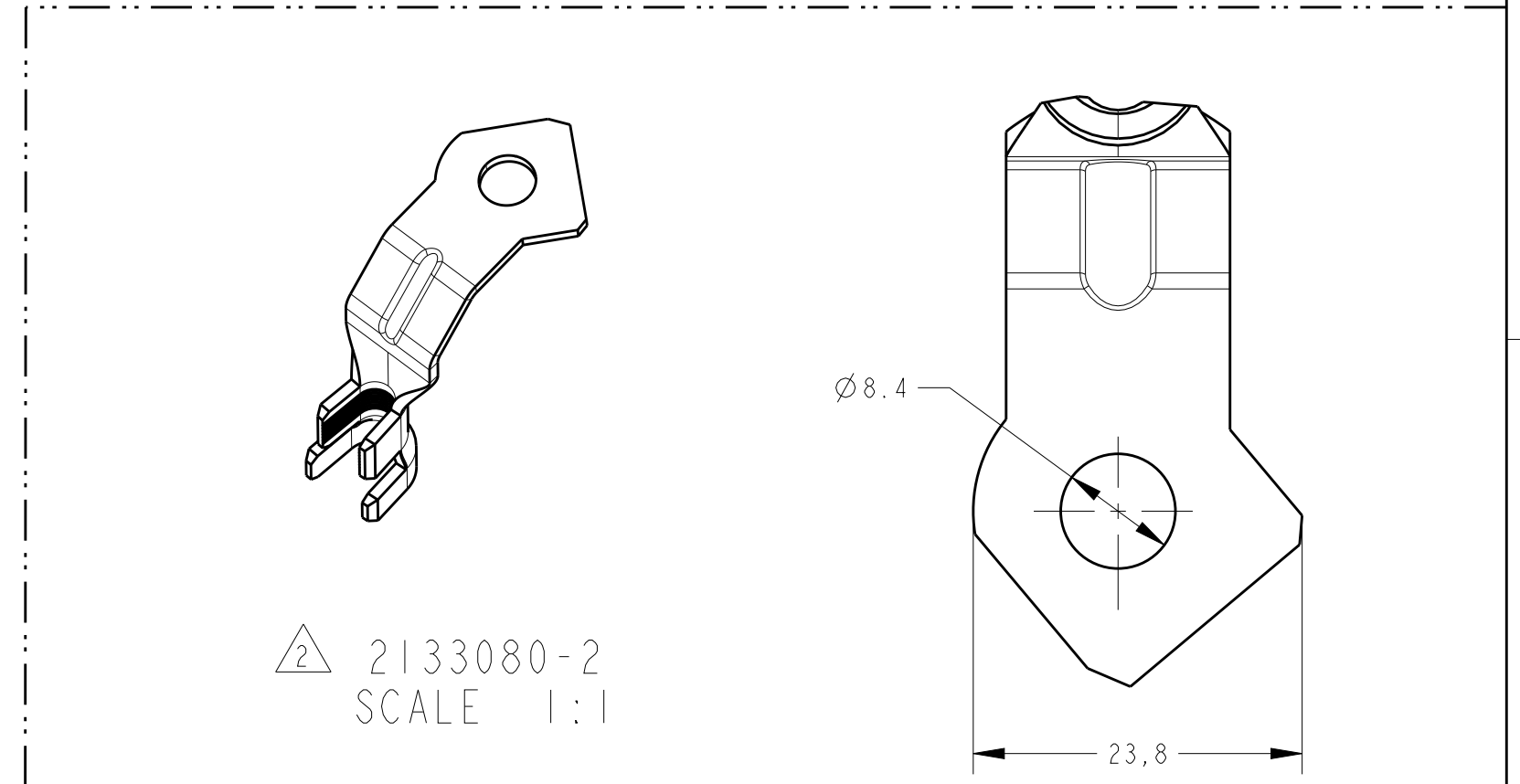
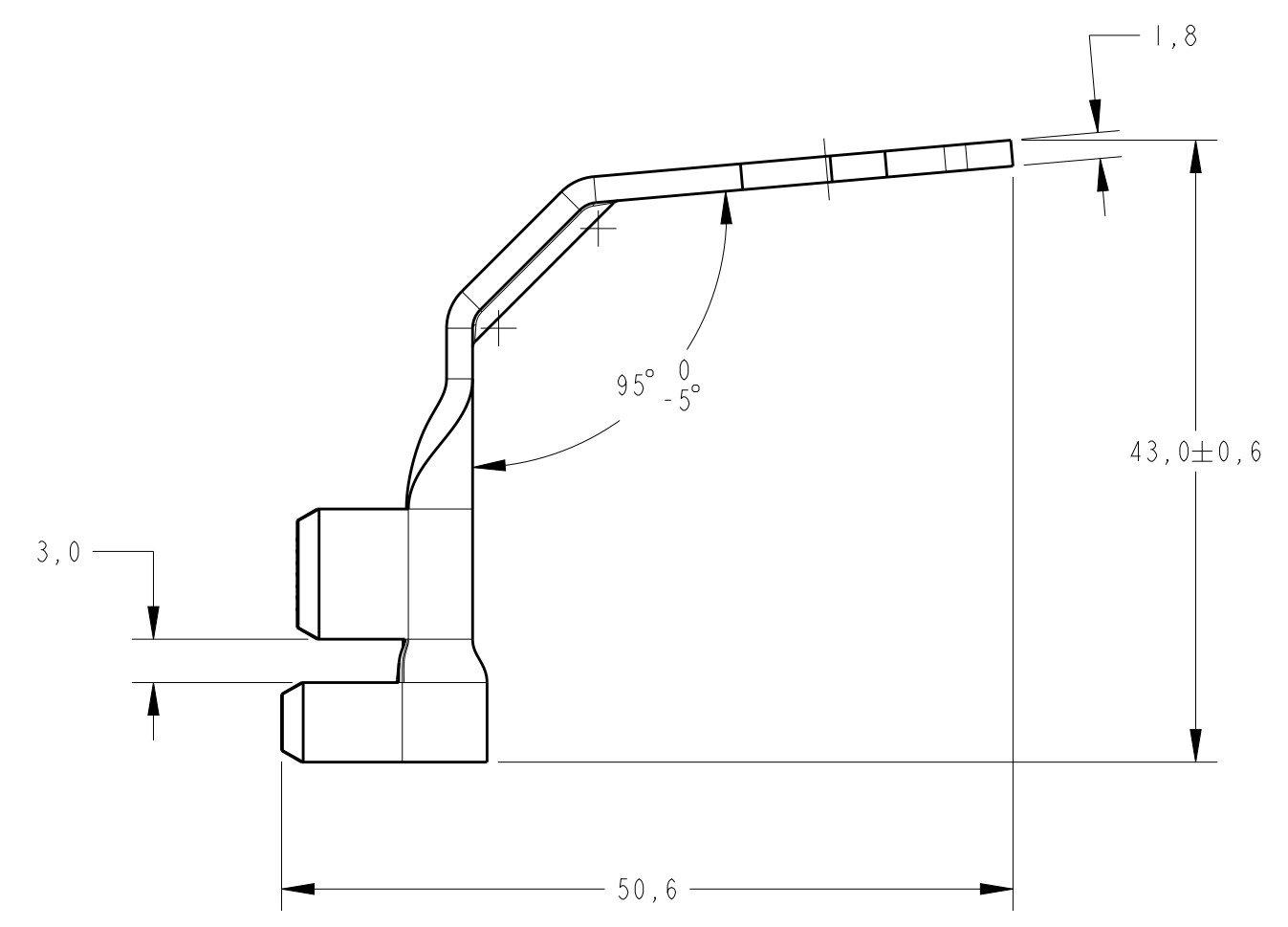
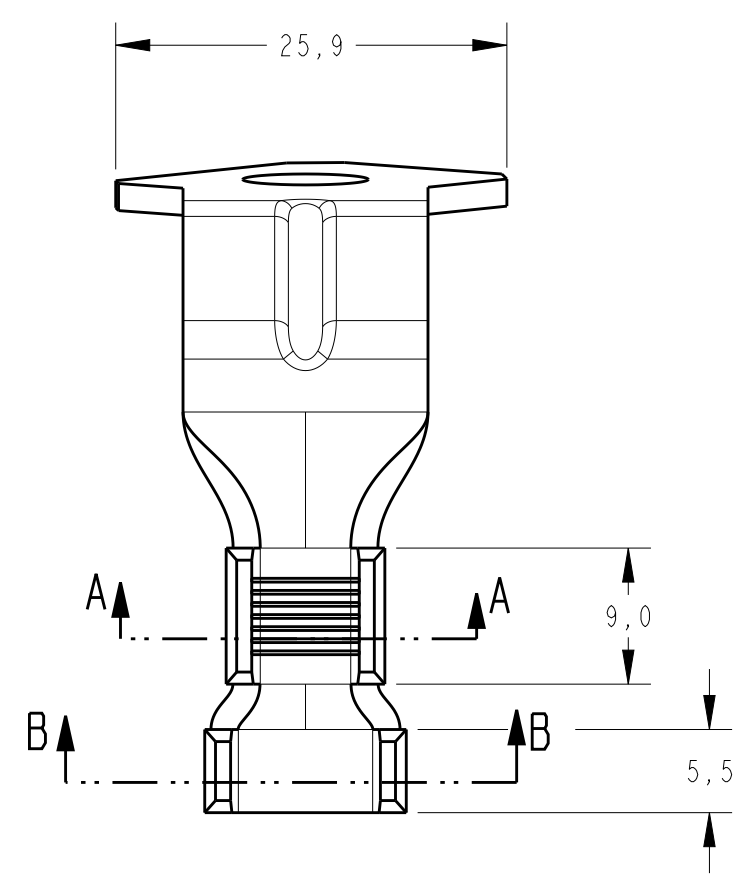


THIS DRAWING IS UNPUBLISHED. RELEASED FOR PUBLICATION 20
 © COPYRIGHT 20 ALL RIGHTS RESERVED.

LOC	DIST	REVISIONS			
P	LTR	DESCRIPTION	DATE	DWN	APVD
AP	-				
A		CHANGE STATUS ECO-11-023093	18NOV2011	NCL	MG
AI		REVISED DRAWING ECO-14-008821	13JUN2014	NCL	MG

creo
 Creo Parametric 2.0
 DO NOT REVISE
 EXCEPT BY CAD



2133080-1
 SCALE 1:1

3	ESTANHADO / TINNED	LATÃO / BRASS	2133080-3
2	ESTANHADO / TINNED	LATÃO / BRASS	2133080-2
1	ESTANHADO / TINNED	LATÃO / BRASS	2133080-1
	FINISH	MATERIAL	PART NO

THIS DRAWING IS A CONTROLLED DOCUMENT.		DWN F. CHAPELA 24 JUN 2010	TE Connectivity RING TONGUE TERMINAL STARTER	
DIMENSIONS: mm		CHK E. LOPES 24 JUN 2010		
TOLERANCES UNLESS OTHERWISE SPECIFIED:		APVD M. GISOLDI 24 JUN 2010		
0 PLC	±	PRODUCT SPEC	NAME	
1 PLC	±0.3	APPLICATION SPEC	SIZE	CAGE CODE
2 PLC	±	WEIGHT	19,7g	A2 00779
3 PLC	±	MATERIAL	SEE TABLE	Customer Drawing
4 PLC	±	FINISH	SEE TABLE	SCALE 2/1
ANGLES	±1°			SHEET 1 OF 1
				REV A1

16 - 20	7,9 - 9,0
WIRE-RANGE (mm ²)	INSULATION RANGE (Ømm)