



### Product Description:

- Wax Paper Dispenser
- Holds one box deli-style wax paper sheets
- Two-way keyholes for vertical or horizontal wall mounting, or can sit on a counter
- Clear PETG Plastic

### Primary Area for Product Usage:

- Anywhere food service supplies are needed

### Dispenses:

- Box(es) no larger than 10.50"L x 6.00"W x 2.55"D (26.7 cm x 15.2 cm x 6.5 cm)

### Package Specifications:

- Package Quantity: 12 per case
- 16"L x 12"W x 12"H (40.6 cm x 30.5 cm x 30.5 cm)
- 11.0 lbs (5.0 kg) - approximated

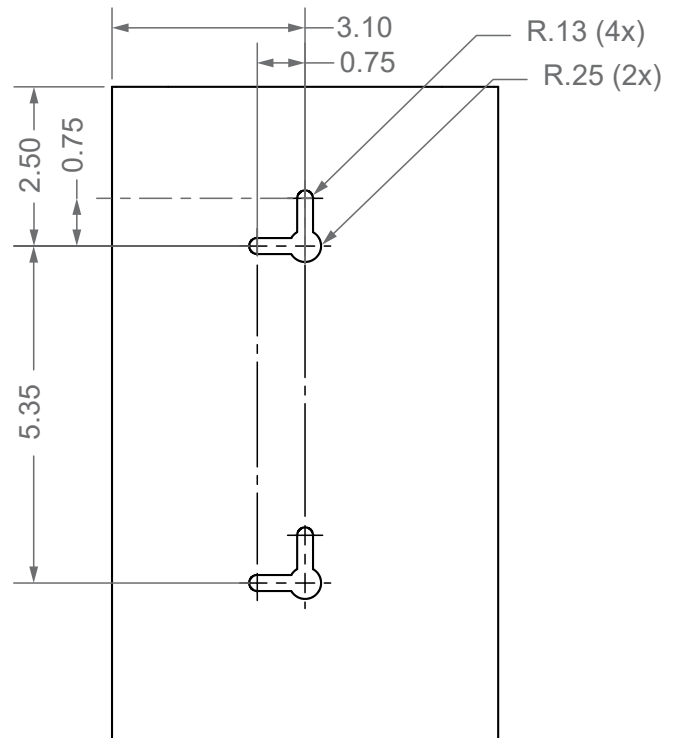
### Product Specifications (overall external dimensions):

- 6.20"W x 10.35"H x 2.75"D (15.7 cm x 26.3 cm x 7.0 cm)
- 0.7 lbs (0.3 kg) - approximated

### Mounting Specifications:

### Related Products (each sold separately):

- FS001-0300: Wax Paper Dispenser - Steel (shown below)

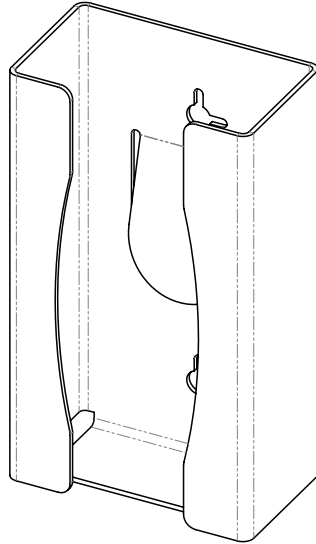




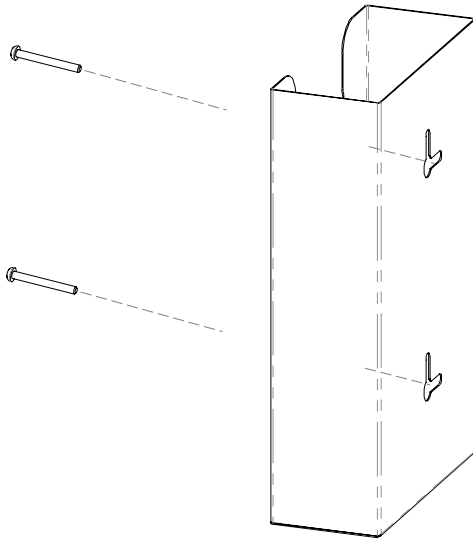
### Installation

Always mount dispensers securely *prior* to loading with product.

- Flexible tab in back pushes box forward for stability.



- Mount securely to a wall with screws approved and supplied by building maintenance.



#### Parts included:

- Dispenser

#### Tools Required:

- No tools required to assemble dispenser

### Care and Construction

PETG Plastic

#### Material Characteristics

#### Designed for Long-Term, Heavy-Duty Applications

Copolyester resin is designed for heavy-duty applications, and is used by BOWMAN® Dispensers. We never use acrylic in our products.

Copolyester (PETG) is typically 15-20 times tougher than general purpose acrylic. PETG is made to withstand handling and reduce losses due to breakage.

PETG resists a variety of chemicals and commonly used cleaning agents. It is tough and durable (not brittle), providing years of trouble-free functionality and long life.

Clear optical characteristics mean the viewer can see the content, read text, and see true colors through the material. It complies with FDA regulations for food contact.

#### Care and Cleaning

Most cleaning chemicals do not weaken the surface or cause damage to the material. Suggested cleaning method is to use a soft cloth, warm water, and mild soap.