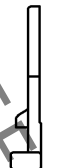
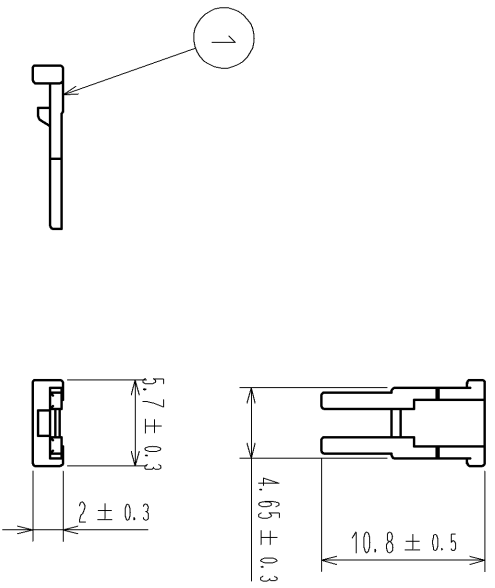




ELV, RoHS COMPLIANT



HRS DRAWING FOR REFERENCE

1	PBT	UL94HB, DARK GRAY					
NO.	MATERIAL	FINISH . REMARKS	NO.	MATERIAL	FINISH . REMARKS		
UNITS mm	 	SCALE	COUNT	DESCRIPTION OF REVISIONS	CHECKED	DATE	
		2 : 1					
APPROVED : AR. SHIRAI		10.02.12		DRAWING NO.		EDC4-167460-00	
CHECKED : NH. NAKATA		10.02.09		PART NO.		GT21-1S-R	
DESIGNED : MO. OKADA		10.02.09		CODE NO.		CL771-0006-1-00	
DRAWN : MO. OKADA		10.02.09		NO.			
FORM HC0011-5-5-AN		1		2		3	
1		2		3		4	
1		1		1		1	