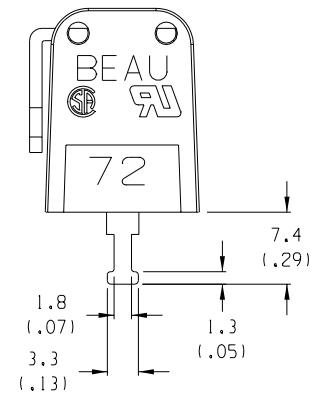
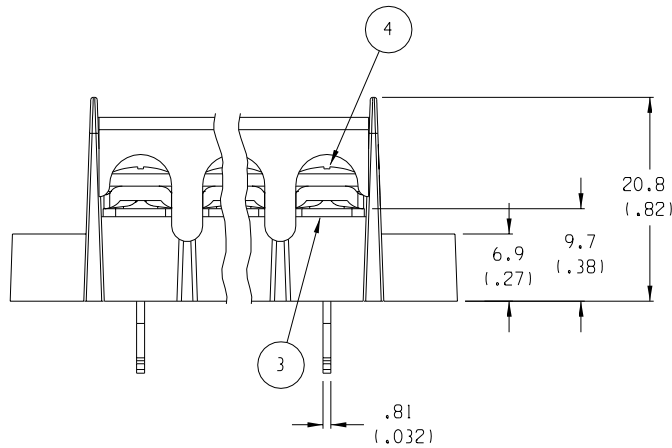


MATERIAL NO.	# OF CIRCUITS "XX"	DIM "A"	DIM "B"
	2	36.3 (1.43)	28.6 (1.13)
	3	45.7 (1.80)	38.1 (1.50)
	4	55.4 (2.18)	47.6 (1.88)
	5	64.8 (2.55)	57.2 (2.25)
	6	74.4 (2.93)	66.7 (2.63)
	7	83.8 (3.30)	76.2 (3.00)
	8	93.5 (3.68)	85.7 (3.38)
	9	102.9 (4.05)	95.3 (3.75)
	10	112.5 (4.43)	104.8 (4.13)
387291419	11	121.9 (4.80)	114.3 (4.50)
	12	131.6 (5.18)	123.8 (4.88)
	13	141.0 (5.55)	133.4 (5.25)
	14	150.6 (5.93)	142.9 (5.63)



NOTES:

1. MATERIAL: SEE TABLE
2. FINISHES: SEE TABLE
3. PRODUCT SPECIFICATION: NOT REQUIRED
4. PACKAGING: NOT REQUIRED
5. MATES WITH: NONE

ITEM	QTY.	DESCRIPTION	MATERIAL	FINISH
4	XX	SCREW	BRASS	NICKEL
3	XX	TERMINAL	BRASS	TIN
2	1	COVER	THERMOPLASTIC	BLACK
1	1	BARRIER	THERMOPLASTIC	BLACK

EC NO. 3434 DRAWN: WH 12/18/03 CHK'K: APPR:	QUALITY SYMBOLS MAJOR CRITICAL SPC S	GENERAL TOLERANCES: (UNLESS SPECIFIED)		SCALE 2:1	DESIGN UNITS <input type="checkbox"/> mm <input checked="" type="checkbox"/> INCH	THIRD ANGLE PROJECTION	PROJECT NO. -	I	-
		4 PLACES	mm	INCH	DRAWN BY & DATE R. KEMP 4-9-03	TITLE: SR BTS, CB, H, 121 ASSY	DIMENSIONS: <input checked="" type="checkbox"/> mm <input type="checkbox"/> INCH <input type="checkbox"/> mm <input type="checkbox"/> INCH ONLY		SHT
B	REV	3 PLACES	±.038	±.005	CHECKED BY & DATE R. STONE 4-9-03	MOLEX INCORPORATED		REVISE ON CAD ONLY	
		2 PLACES	±.13	±.01	APPROVED BY & DATE P. WALTZ 5-11-03	CAD FILENAME 726XX-H-49-50	MATERIAL NO. SEE CHART	DRAWING NO. SD-38729-022	SHEET NO. 1 OF 1
		1 PLACE	±.3		DRAFT WHERE APPLICABLE MUST REMAIN WITHIN DIMENSIONS		THIS DRAWING CONTAINS INFORMATION THAT IS PROPRIETARY TO MOLEX INCORPORATED AND SHOULD NOT BE USED WITHOUT WRITTEN PERMISSION.		
		ANGULAR: ±2°						SIZE B	