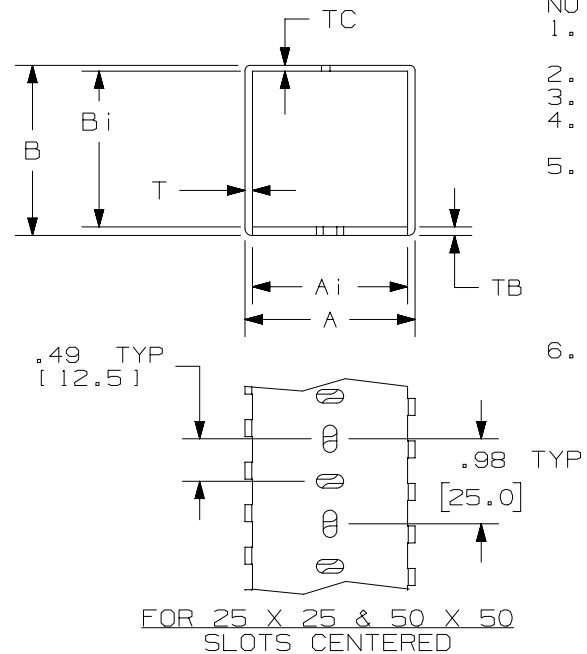
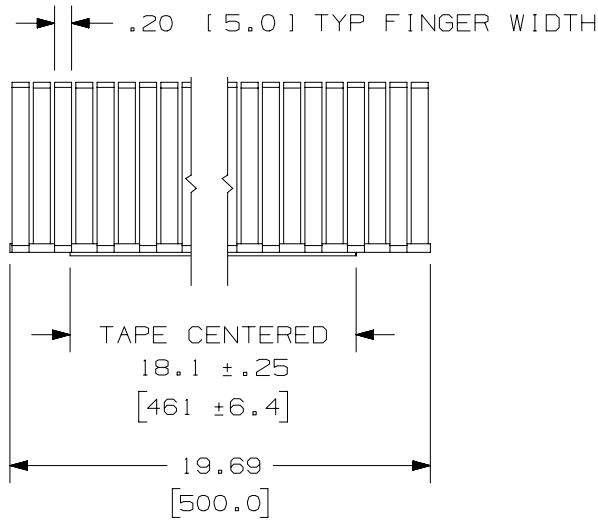
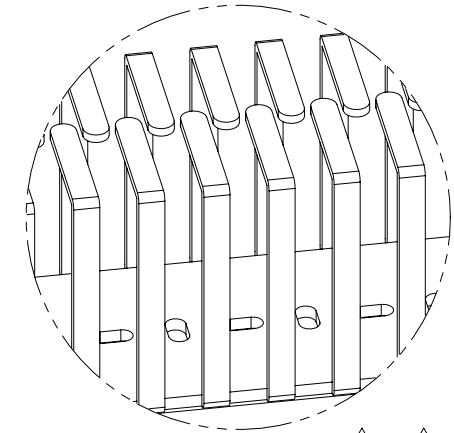
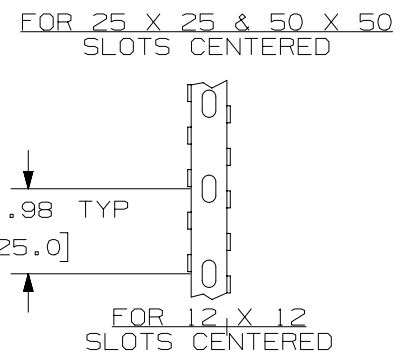
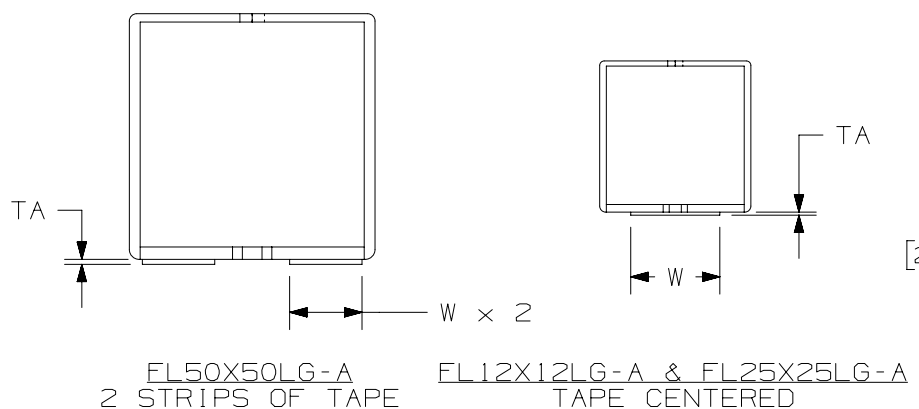


THIS COPY IS PROVIDED ON A RESTRICTED BASIS AND IS NOT TO BE USED IN ANY WAY DETRIMENTAL TO THE INTERESTS OF PANDUIT CORP.



- NOTES:
1. DIMENSIONS IN PARENTHESES ARE IN METRIC.
 2. COLOR: LIGHT GREY
 3. "TA" DIMENSION IS REFERENCE ONLY.
 4. MOUNTING HOLE SLOT DIMENSIONS: .16 (4.0) X .31 (8.0) - TYP.
 5. NO WARRANTY, EXPRESSED OR IMPLIED, IS MADE BY PANDUIT WITH THE RESPECT TO ADHESIVE BOND PERFORMANCE. AMONG OTHER THINGS, THE CONDITIONS UNDER WHICH THESE DUCTS MAY BE APPLIED AND/OR THE SURFACE TO WHICH THEY MAY BE APPLIED ARE BEYOND PANDUIT'S CONTROL.
 6. ONE COMPLETE MOUNTING HOLE ON BOTH ENDS OF DUCT WILL NOT BE COVERED BY TAPE.



REV	DATE	BY	CHK	APR	DESCRIPTION	ECN
10	03-09-15	JBN	MRJS	RGRO	Q. REVISED DIMENSIONS AND TOLERANCES	38086-03
9	02-26-13	JBN	RTFI	RTFI	P. UPDATED DRAWING BORDER & TITLE BLOCK	38086-03

TITLE		FLEXIBLE DUCT SIZES: 12mm, 25mm, 50mm CUSTOMER DRAWING	
ITEM REVISION NAME		D38086BC/02	
DATASET FILE NAME		D38086BC_DC/02A	
UNLESS OTHERWISE SPECIFIED, DIMENSIONAL TOLERANCES ARE: IN [mm]		MATERIAL:	
.x ± .xxx ± .xx ± .02 [.5] ANGLES ±		POLYPROPYLENE	
THIRD ANGLE PROJECTION		DRAWING NUMBER: 38086-03	
DRAWN BY	DATE	CHK	SCALE
JCST	04-10-01	JKG	NONE
SHT 1 OF 2			SIZE A

D10100DA/14

THIS COPY IS PROVIDED ON A RESTRICTED BASIS AND IS NOT TO BE USED IN ANY WAY DETRIMENTAL TO THE INTERESTS OF PANDUIT CORP.

PANDUIT P/N	A X B ±.04 [1.0]	Ai x Bi ±.04 [1.0]	T	TB	TC	T, TB, TC TOLERANCES	TAPE QTY. W X TA	WEIGHT	PKG. QTY.
	FL12X12LG-A	.49 X .49 [12.5 X 12.5]	.40 x .40 [10.3 x 10.6]	.04 [1.0]	.04 [1.1]	.04 [0.9]	±.006 [.15]	1 .24 [6.1] X .04 [1.0]	0.03 lb/ea [12.3 g/ea]
FL25X25LG-A	.98 X .98 [25.0 X 25.0]	.90 x .90 [21.8 x 22.3]	.06 [1.5]	.06 [1.6]	.05 [1.2]	±.015 [.38]	1 .58 [14.7] X .04 [1.0]	0.07 lb/ea [33.3 g/ea]	70
FL50X50LG-A	1.97 X 1.97 [50.0 X 50.0]	1.80 x 1.80 [45.0 x 45.0]	.09 [2.2]	.10 [2.5]	.07 [1.7]	±.025 [.64]	2 .58 [14.7] X .04 [1.0]	0.23 lb/ea [103.3 g/ea]	32

REV	DATE	BY	CHK	APR	DESCRIPTION	ECN
10	03-09-15	JBN	MRJS	RTFI	SEE SHEET 1 FOR DESCRIPTION OF CHANGES	38086-03
9	02-26-13	JBN	RTFI	RTFI	SEE SHEET 1 FOR DESCRIPTION OF CHANGES	38086-03

TITLE FLEXIBLE DUCT SIZES: 12mm, 25mm, 50mm CUSTOMER DRAWING	
ITEM REVISION NAME D38086BC/02	PANDUIT
DATASET FILE NAME D38086BC_DC/02A	
UNLESS OTHERWISE SPECIFIED, DIMENSIONAL TOLERANCES ARE: IN (mm)	
.X ± .XX ± .02 [.5]	.XXX ± ANGLES ±
THIRD ANGLE PROJECTION 	
DRAWN BY JCST	DATE 04-10-01
CHK JKG	SCALE NONE
DRAWING NUMBER: 38086-03	
SHT 2 OF 2	
SIZE A	

D10100DA/14