

D Sub

Plug Connector, Discrete Wire Termination

DDM Series



- IDC contact with integral wire strain relief
- #20-30 AWG discrete wire capability
- Tin plated steel shells for electrical grounding and shielding capability

Date Modified: February 11, 2002

TS-1057-01
Sheet 1 of 3

8

Physical

Insulation

Material: Thermoplastic Glass Filled Polyester
Flammability: UL 94V-0
Color: Black

Contact

Material: Copper Alloy

Plating

Underplate: 50 μ " (1.27 μ m) Nickel — QQ-N-290, Class 2
Wiping Area: Gold — MIL-G-45204, Type II, Grade C (See ordering information)

Shell

Material: Steel
Plating: Tin

Wire Accommodation: See ordering Information

Marking: Contact Position Numbers

Electrical

Current Rating: 20 AWG–7.0 Amps / 22 AWG–5.3 Amps / 24 AWG–4.0 Amps / 26 AWG–2.9 Amps / 28 AWG–2.0 Amps / 30 AWG–1.0 Amps
Cable Rating: 115°C minimum
Cable Rating: 80°C minimum
Cable Rating: 80°C minimum

Insulation Resistance: $> 1 \times 10^9 \Omega$ at 500 VDC

Withstanding Voltage: 1000 Vrms at Sea Level

Environmental

Temperature Rating: -65° to $+105^\circ$

UL File No.: E68080

3M Interconnect Solutions Division

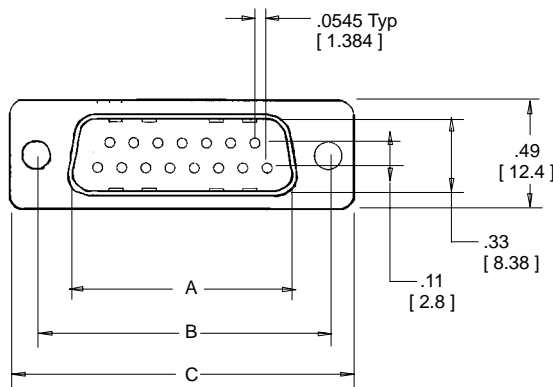
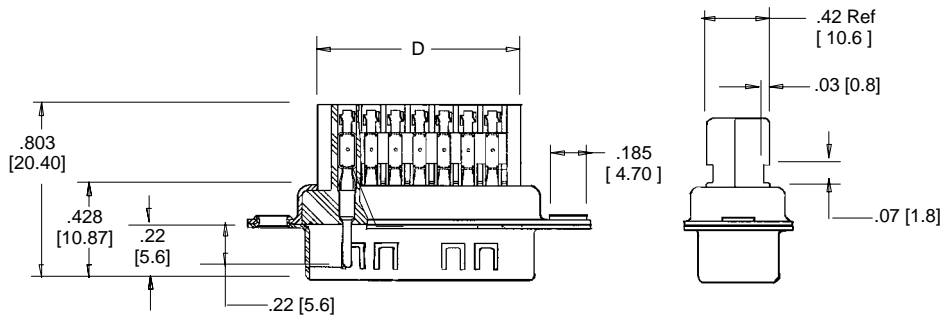
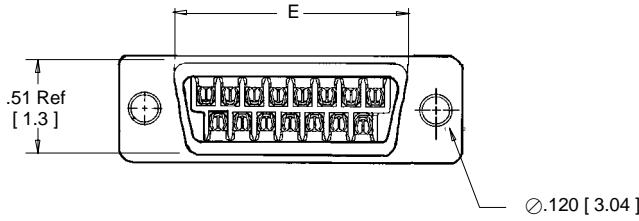
6801 River Place Blvd.
Austin, TX 78726-9000

For technical, sales or ordering information call
800-225-5373

D Sub Plug Connector, Discrete Wire Termination

DDM Series

Contact Quantity	Dimensions				
	A	B	C	D	E
09	.67 [17.02]	.98 [24.9]	1.21 [30.73]	.57 [14.45]	.76 [19.28]
15	.99 [25.15]	1.31 [33.27]	1.54 [39.12]	.89 [22.61]	1.08 [27.43]
25	1.53 [38.86]	1.85 [47.00]	2.09 [53.09]	1.44 [36.58]	1.63 [41.40]
37	2.82 [71.63]	2.50 [63.50]	2.73 [69.34]	2.10 [53.34]	2.27 [57.66]



Inch
[mm]

Tolerance Unless Noted			
	.0	.00	.000
Inch	±.1	±.01	±.005

[] Dimensions for Reference only

Ordering Information

DDM-XXP-XXXG-XXXX

Contact Quantity

Wire Gauge Range:
1 = 24-30 AWG
2 = 20-22 AWG

Contact Quantity
(See table)

Plating Code:
TG30 = 30µ" Gold
TR = 10µ" Gold (Last two digits leave blank in ordering number)

TS-1057-01
Sheet 2 of 3

3M Interconnect Solutions Division

6801 River Place Blvd.
Austin, TX 78726-9000

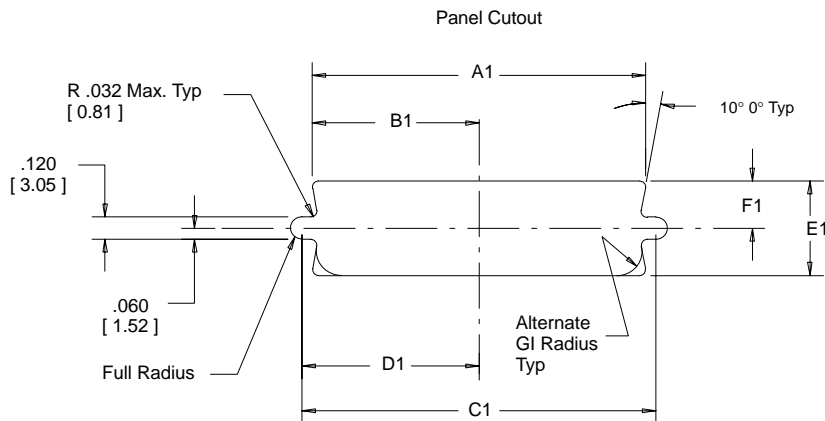
For technical, sales or ordering information call
800-225-5373

D Sub Plug Connector, Discrete Wire Termination

DDM Series

Mounting Method*	Contact Quantity	Dimensions						
		A1	B1	C1	D1	E1	F1	G1
Front	9	.87 [22.0]	.44 [11.2]	.98 [24.9]	.49 [12.5]	.51 [13.0]	.26 [6.6]	.12 [3.1]
	15	1.20 [30.5]	.60 [15.2]	1.31 [33.3]	.66 [16.8]			
	25	1.74 [44.2]	.87 [22.1]	1.85 [47.0]	.93 [23.6]			
	37	2.39 [60.7]	1.20 [30.5]	2.50 [63.5]	1.25 [31.8]			
Rear	9	0.81 [20.6]	.40 [10.2]	.98 [25.0]	.49 [12.5]	0.45 [11.4]	0.22 [5.8]	.12 [3.1]
	15	1.13 [28.7]	.57 [14.5]	1.31 [33.3]	.66 [16.8]			
	25	1.67 [42.4]	.84 [21.3]	1.85 [47.0]	.93 [23.6]			
	37	2.33 [59.2]	1.16 [29.5]	2.50 [63.5]	1.25 [31.8]			

* Front Mount—The connector is mounted in front of the panel.
Rear Mount—The connector is mounted behind the panel.



Tooling required to assemble the DDM socket and Plug connector

Bench Termination Method	Manual Arbor Press	CT-20
	Tooling Nest	DDM-MTT-1
	Platten	DDM-MTT-1P
Hand Termination Method	Ratcheting hand tool	DDM-HTT-R1

TS-1057-01
Sheet 3 of 3

3M Interconnect Solutions Division

6801 River Place Blvd.
Austin, TX 78726-9000

For technical, sales or ordering information call
800-225-5373