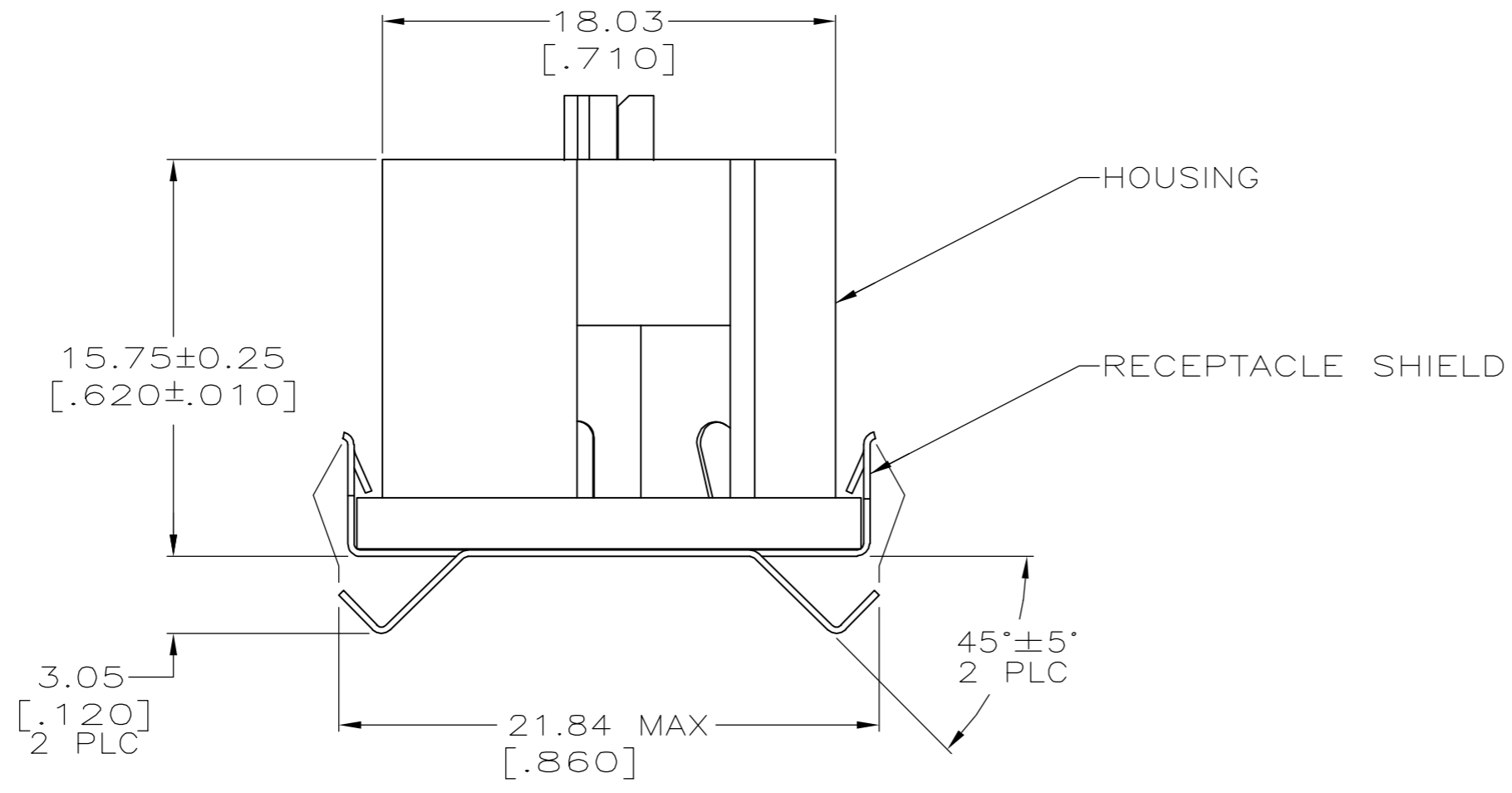
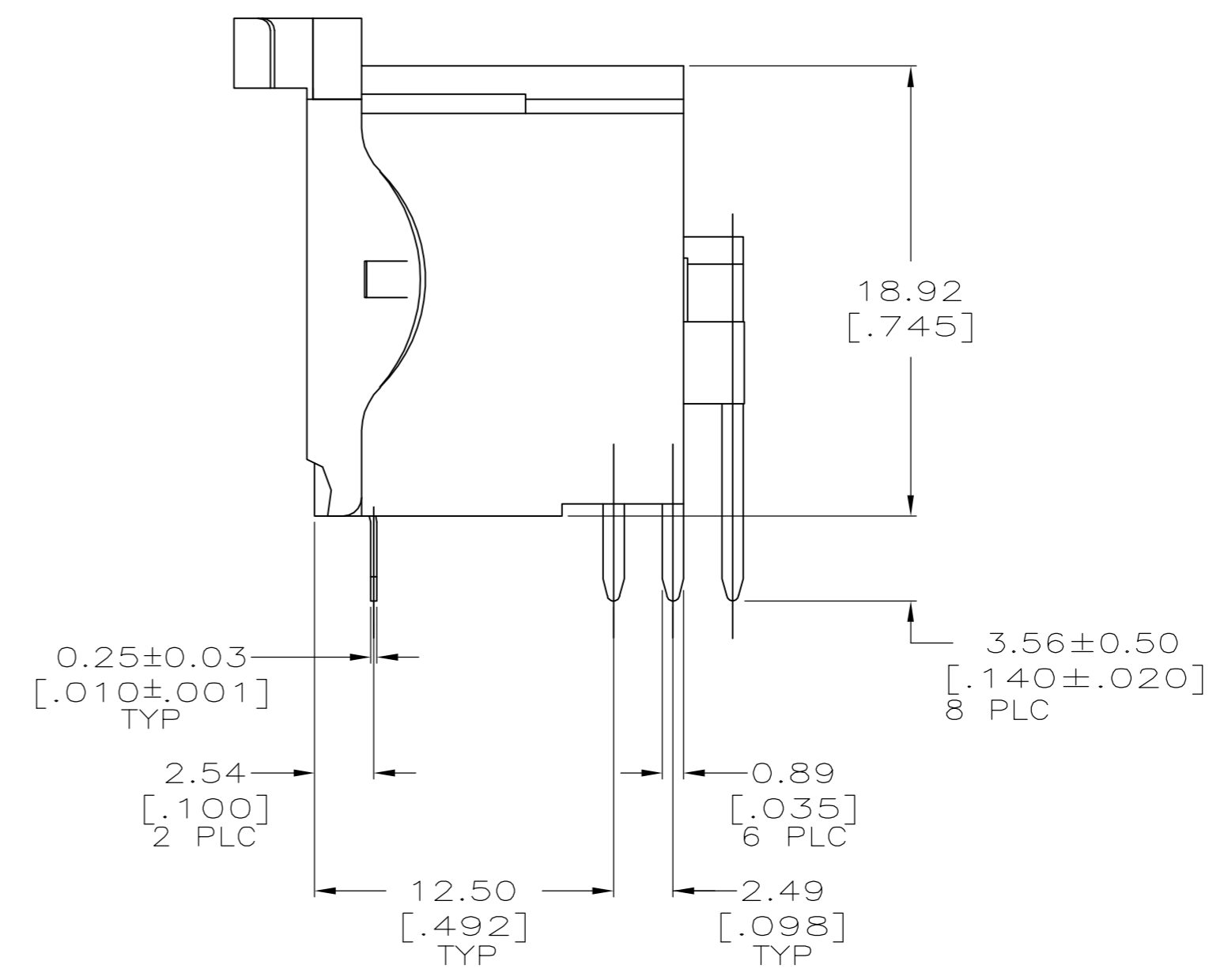
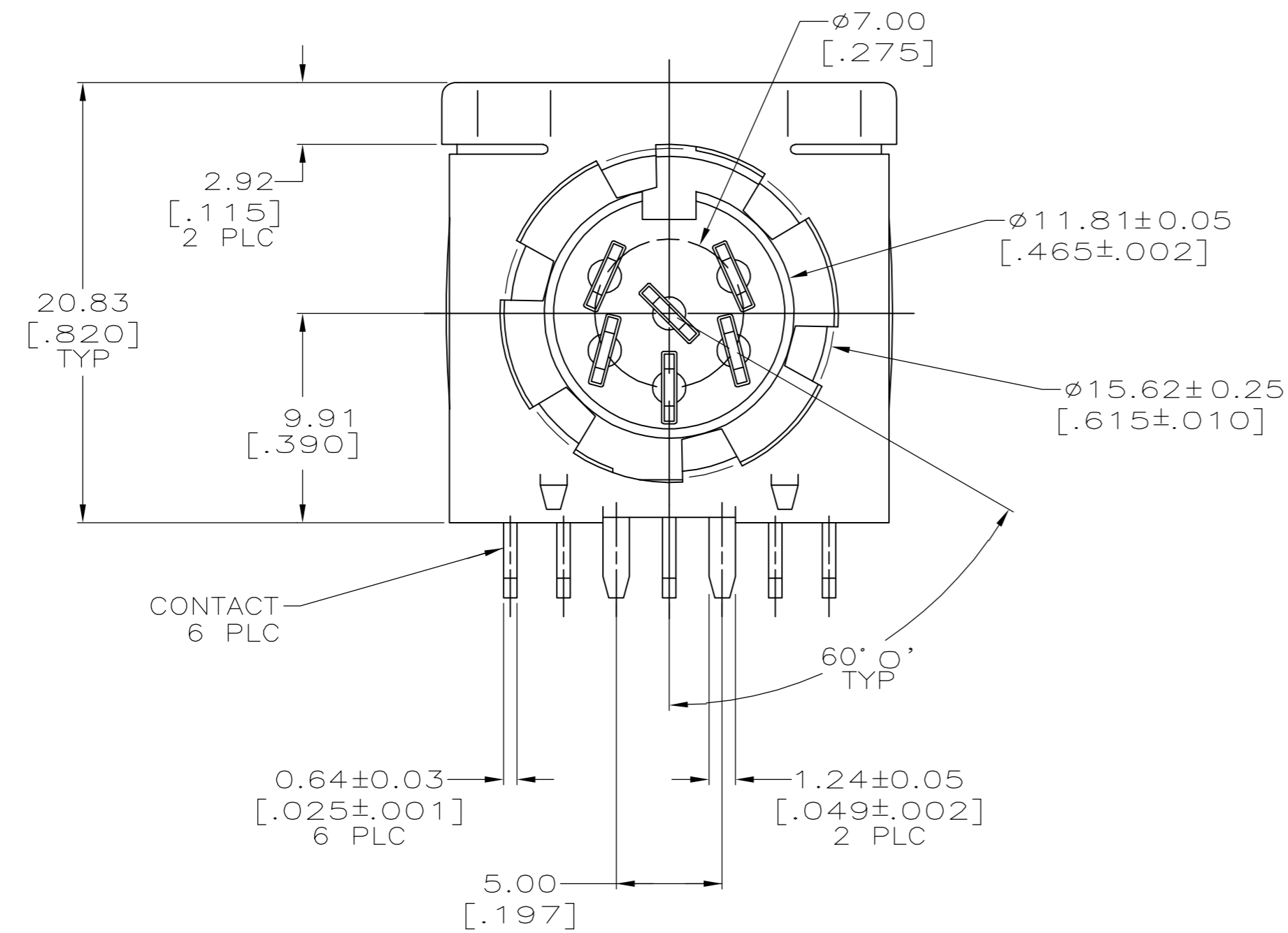


THIS DRAWING IS UNPUBLISHED. RELEASED FOR PUBLICATION
 © COPYRIGHT BY TYCO ELECTRONICS CORPORATION. ALL RIGHTS RESERVED.

LOC	DIST	REVISIONS			
P	LTR	DESCRIPTION	DATE	DWN	APVD
GP	00				
	01	REVISED PER ECO-07-008008	10APR07	JDP	CWR



- 1 HOUSING: NYLON, UL 94V-0 RATED, BLACK.
- 2 CONTACTS & RECEPTACLE SHIELD: BRASS.
- 3 CONTACTS & RECEPTACLE SHIELD: 2.54µm [.000100] MIN TIN OVER 1.27µm [.000050] MIN NICKEL.



5786676
 5786676-1
 PART NO

THIS DRAWING IS A CONTROLLED DOCUMENT.		DWN L. VARELA - DOCK5 11-12-04	 Tyco Electronics Corporation Harrisburg, PA 17105-3608
DIMENSIONS: mm [INCHES]		CHK C. ROHDE 11-12-04	
TOLERANCES UNLESS OTHERWISE SPECIFIED:		APVD M. WALMSLEY 11-12-04	NAME RECEPTACLE ASSEMBLY, 6 POSN, RIGHT ANGLE, W/FRONT PANEL GROUNDING FINGERS, CIRCULAR DIN
0 PLC ± -		PRODUCT SPEC 108-10047	
1 PLC ± -		APPLICATION SPEC 114-40025	SIZE A2
2 PLC ± 0.13 [.005]		WEIGHT -	CAGE CODE 00779
3 PLC ± -		FINISH 1 2 3	DRAWING NO C=5786676
4 PLC ± -			RESTRICTED TO -
ANGLES ± 0° 30'		SCALE 4:1 SHEET 1 of 1 REV 01	
MATERIAL		CUSTOMER DRAWING	