

H G F E D C B A

4

3

2

1

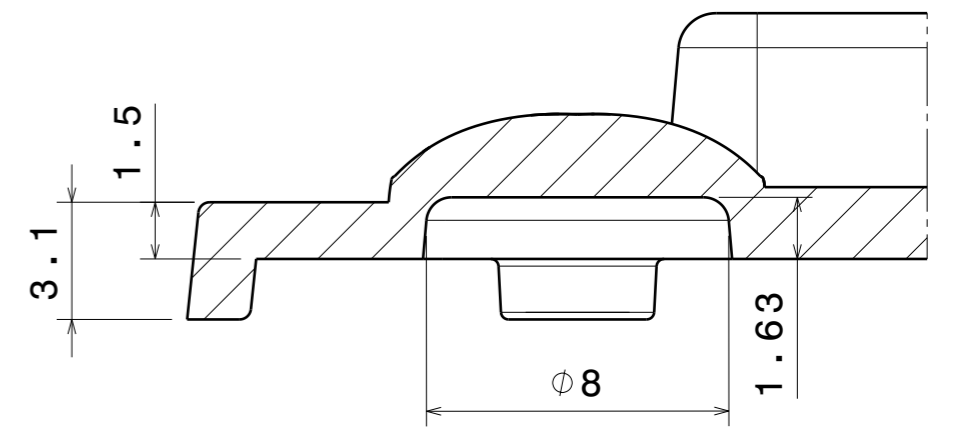
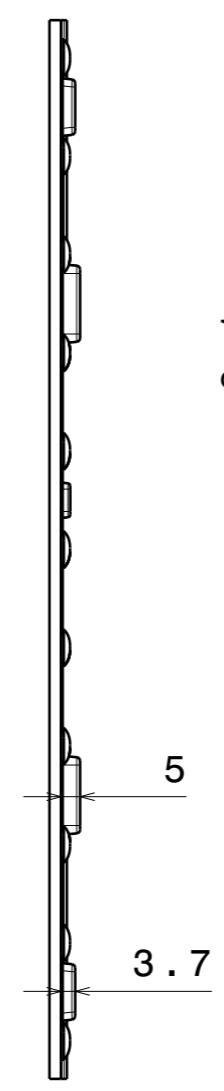
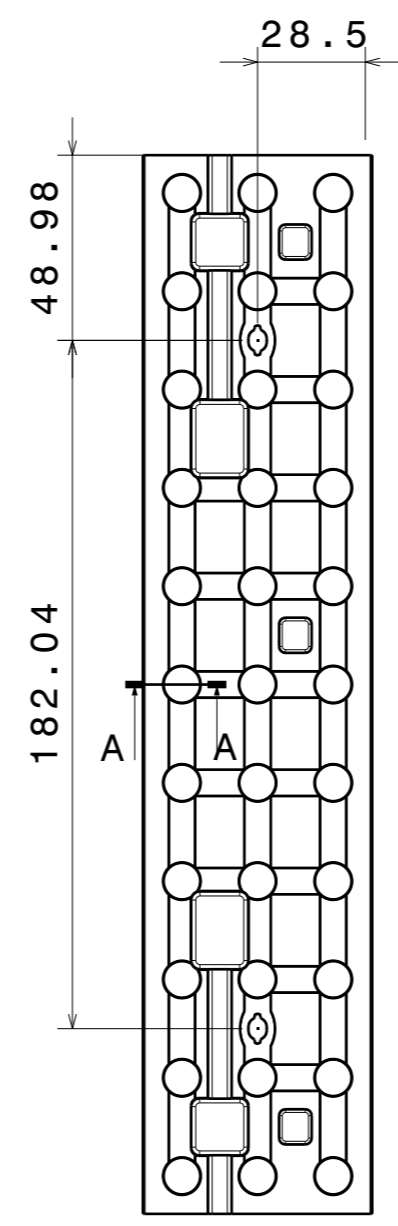
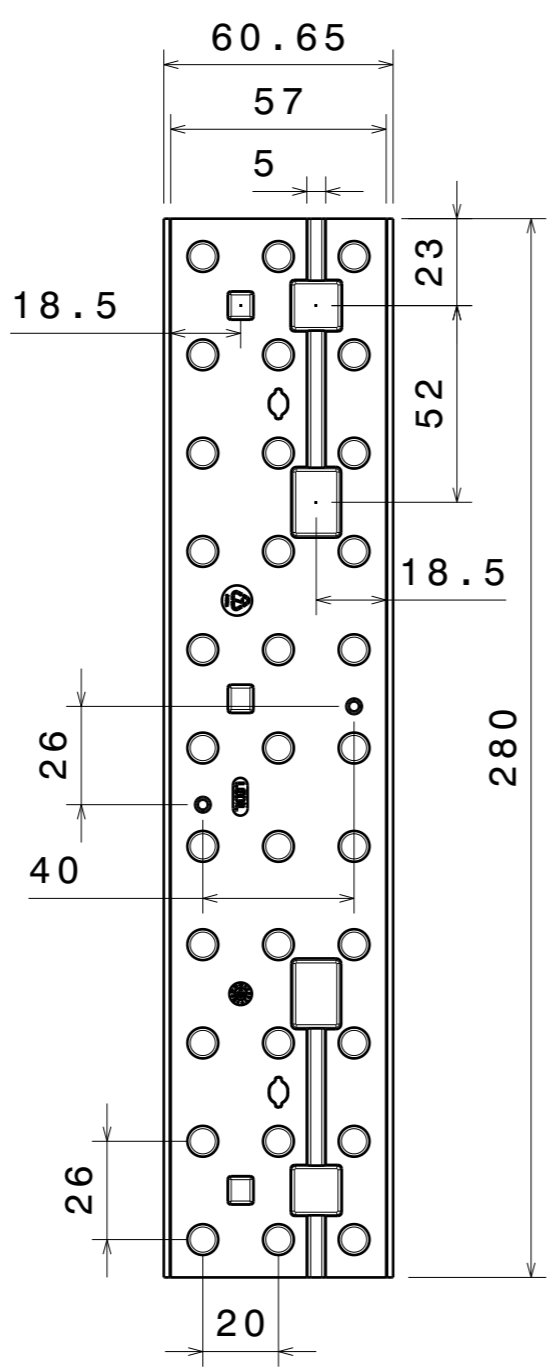
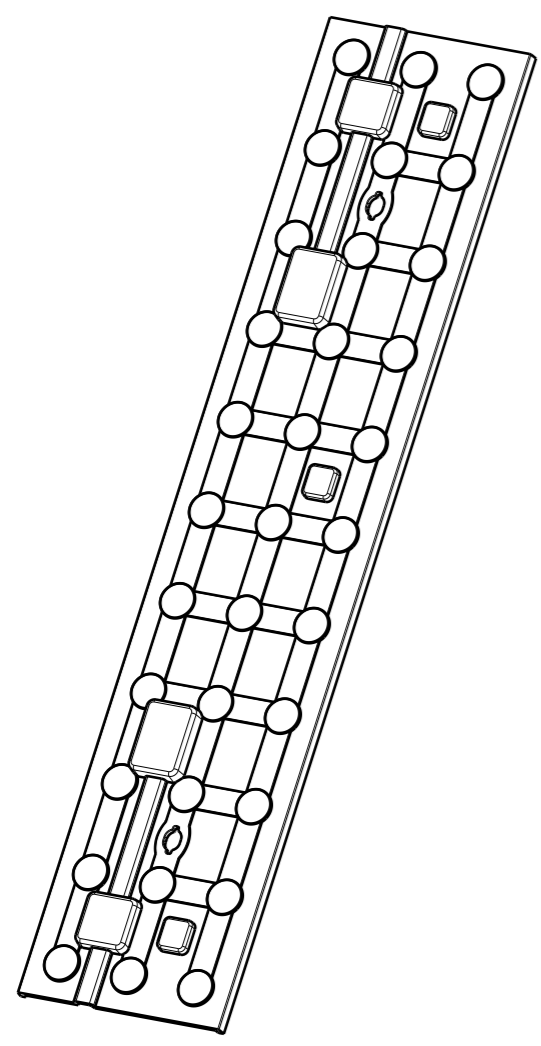
4

3

2

1

Isometric view
Scale: 1:2



| INDEX | PART NO | DESCRIPTION | MATERIAL | COLOUR |
|-------|---------|-------------------------|----------|--------|
| 1 | F16007 | Florence2-Z90-datasheet | PMMA | clear |

Tolerances if not otherwise shown
According to DIN ISO 2768-1
Linear measures:
Up to 30mm class M, otherwise class C.
According to DIN ISO 2768-2
Form and position: class L

LEDiL LediL Oy
Salorankatu 10
FIN 24240 SALO
Finland

FIRST ANGLE PROJECTION:

DRAWING TITLE
F16007_Florence2-Z90-datasheet

This drawing is the property of LEDiL Oy. It may not be reproduced, copied or communicated without a written agreement with LEDiL Oy.

SIZE PART NUMBER
A3 F16007

SCALE 1:2 WEIGHT 40,0g SHEET 1/1

H G B A