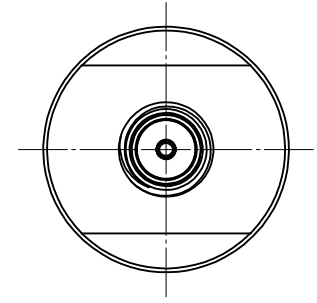
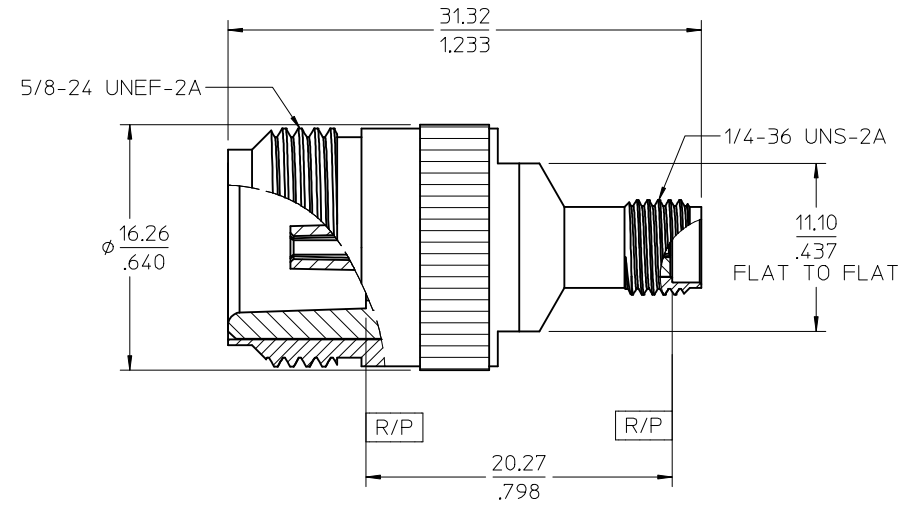
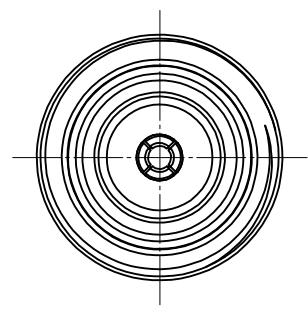
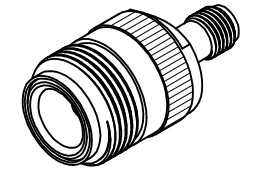
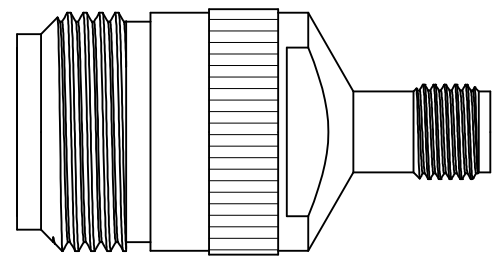


MATERIALS AND FINISHES:

BODY: STAINLESS STEEL
PASSIVATED

CENTER CONTACT: BERYLLIUM COPPER
PLATED GOLD

INSULATOR: TEFLON



73386-0142	TRAY
73386-0141	ONE PER BAG
PART NO	PACKAGING

PS-89675-2720	ELEC/MECH PERFORMANCE
SPECIFICATION	DESCRIPTION

CHG/GENERATED IN SYSTEM PER RF15-E031 IEC NO: URF2015-0093 DRW:RYEH 2014/08/27 CHKD: APPR:YCHENG 2014/09/02	QUALITY SYMBOLS
	□=0 ▽=0 ▽=0
	DESCRIPTION
	REV

GENERAL TOLERANCES (UNLESS SPECIFIED)	
mm	INCH
4 PLACES ± .005	± .0005
3 PLACES ± .005	± .0005
2 PLACES ± .005	± .0005
1 PLACE ± .005	± .0005
0 PLACE ± .005	± .0005
ANGULAR ± 2 °	
DRAFT WHERE APPLICABLE MUST REMAIN WITHIN DIMENSIONS	

DIMENSION STYLE	
MM/IN	
DRAWN BY	DATE
RYEH	2014/08/27
CHECKED BY	DATE
KERRIE	2014/08/27
APPROVED BY	DATE
YCHENG	2014/09/02
MATERIAL NO.	
SEE TABLE	
SIZE	C

SCALE	DESIGN UNITS	THIRD ANGLE PROJECTION
4:1	METRIC	☉
TITLE		
BSA N JACK BKHD TO SMA JACK BSA-NJ/SMAJ		
molex		
DOCUMENT NO.	SHEET NO.	
SD-73386-014	1 OF 1	
THIS DRAWING CONTAINS INFORMATION THAT IS PROPRIETARY TO MOLEX INCORPORATED AND SHOULD NOT BE USED WITHOUT WRITTEN PERMISSION		