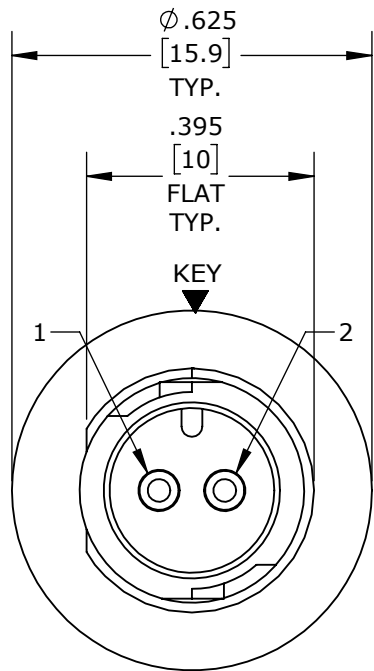


MFG. ENG.	APPROVED BY:	DATE:	QA	APPROVED BY:	DATE:
-----------	--------------	-------	----	--------------	-------

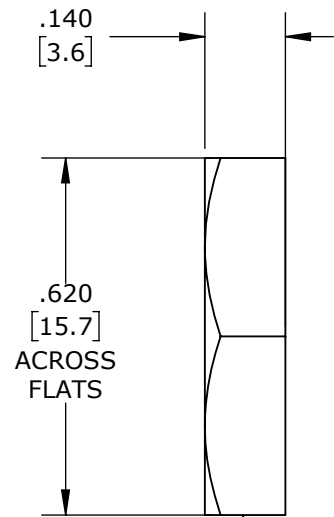
PART NO.	NO. OF PINS
W17282-2PG-P-300	2
W17282-3PG-P-300	3

NOTES:

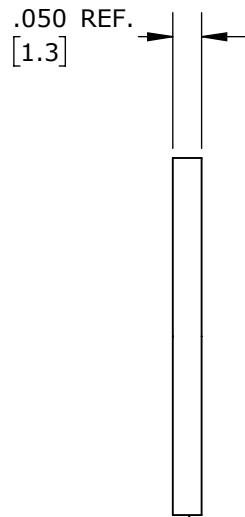
1. ALL PARTS ARE BULK PACKED.
2. CONTACTS ARE ASSEMBLED INTO PANEL CONNECTOR WITH SOLDER CUPS FACING TOP KEY DIRECTION.
3. REFER TO DRAWING HPMCSTD FOR CONTACT PATTERNS.
4. ALL DIMENSIONS ARE REFERENCE ONLY IN INCHES [mm], WITHIN ±0.015 UNLESS OTHERWISE NOTED.



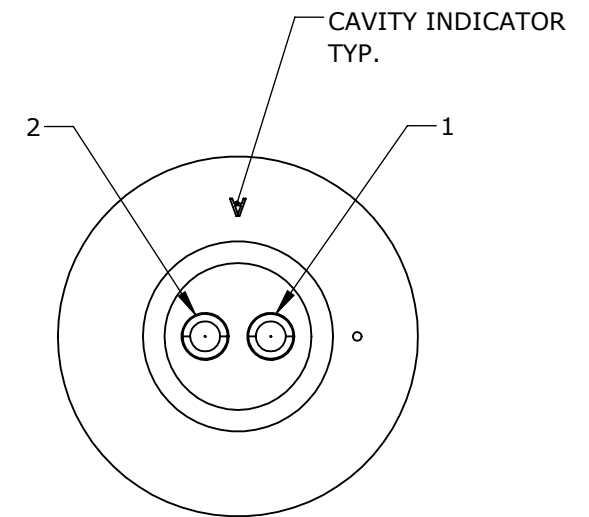
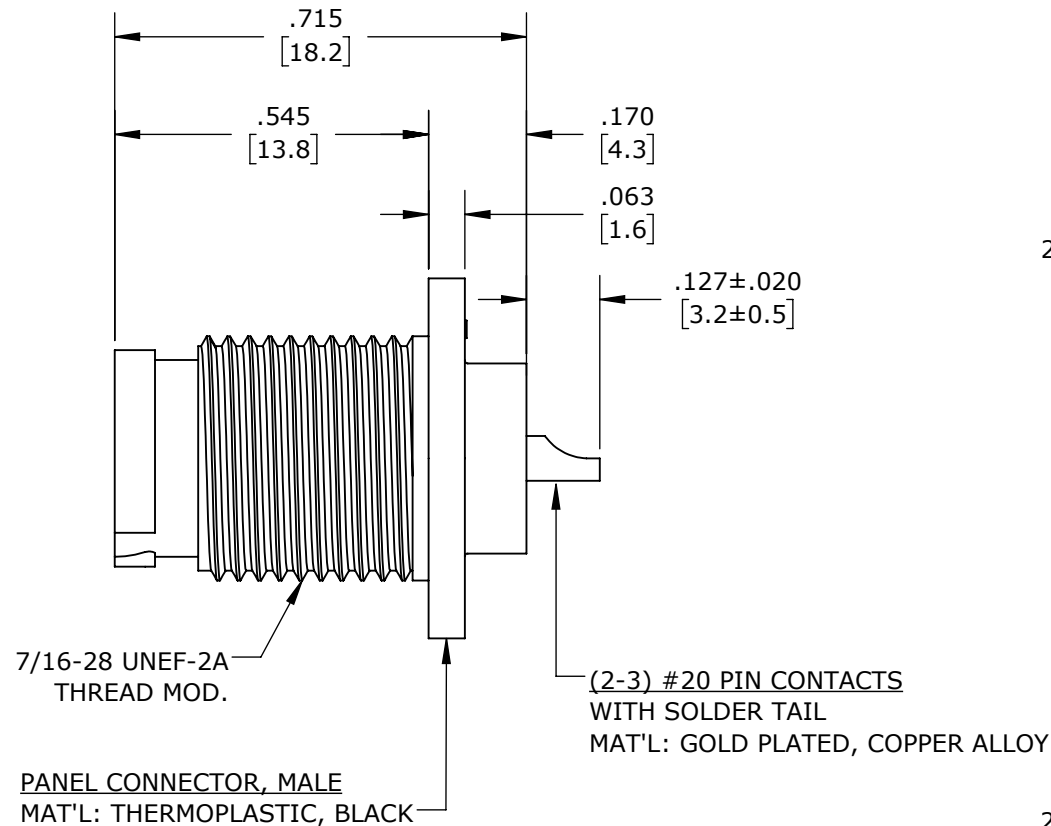
FACE VIEW
W17282-2PG-P-300



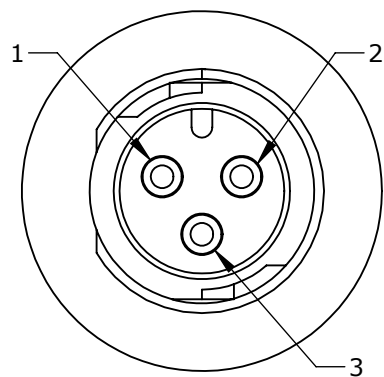
5/8 IN. HEX NUT
MAT'L: THERMOPLASTIC, BLACK



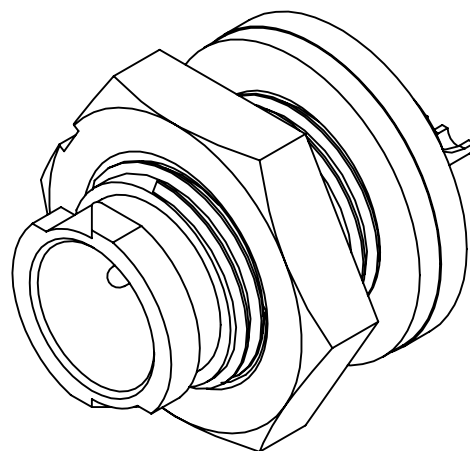
GASKET
MAT'L: ELASTOMER, BLACK



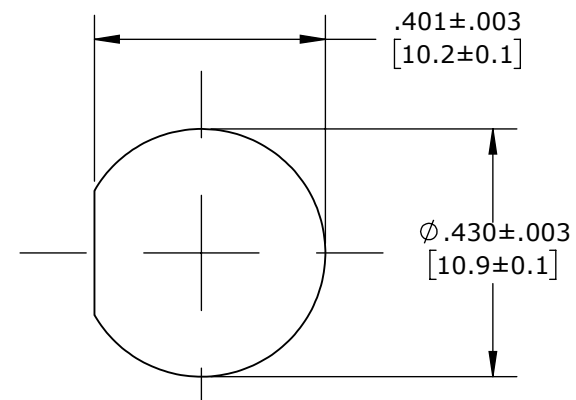
WIRE VIEW
W17282-2PG-P-300



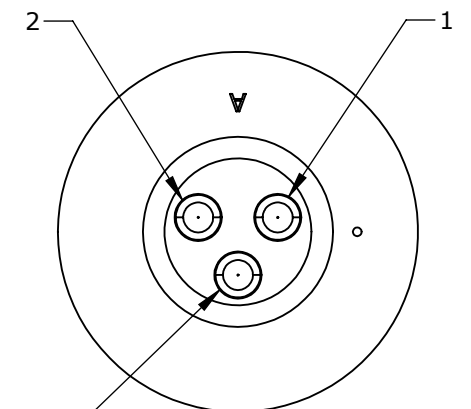
FACE VIEW
W17282-3PG-P-300



ASSEMBLED VIEW
FOR CUSTOMER REF. ONLY



RECOMMENDED PANEL CUTOUT



WIRE VIEW
W17282-3PG-P-300

PRELIMINARY

DIMENSIONS IS BRACKETS [] ARE METRIC

CUSTOMER APPROVAL	
THIS DOCUMENT CONTAINS CONFIDENTIAL INFORMATION PROPRIETARY TO CONXALL CORPORATION. ANY REPRODUCTION, DISCLOSURE, OR USE OF THIS DOCUMENT /INFORMATION IS EXPRESSLY PROHIBITED UNLESS AUTHORIZED IN WRITING BY CONXALL CORPORATION.	
APPROVED BY: _____	
DATE: _____	

RoHS COMPLIANT

0A	JGK	8/12/19	DRAWING CREATED FOR PDR #18004.	
REV.	INIT.	DATE	DESCRIPTION	
	JGK	8/12/19	ALL INFORMATION ILLUSTRATED IS THE PROPERTY OF CONXALL CORPORATION. UNAUTHORIZED DUPLICATION OR DISTRIBUTION OF THIS DOCUMENT IS PROHIBITED. ORG. DRAWN BY: DATE: 8/12/19 CHECKED BY: _____ APPROVED BY: _____ ALL UNITS ARE IN FEET, INCHES, FRACTION OF INCHES AND DECIMALS. UNLESS OTHERWISE SPECIFIED TOLERANCES: 3 PLACE DECIMALS ±.005 ANGLES ±1° FRACTIONS ±1/16 - CRITICAL CHARACTERISTIC FLAG PER SPEC. XXXX	
SCALE: NTS SIZE: B SHEET: 1 OF 1			 601 E. WILDWOOD VILLA PARK, IL 60181	
FILE: W17280-XPG-P-300			TITLE: PANEL MOUNT ASSEMBLY (2-3) #20 PIN CONTACTS, SOLDER TAIL INSTA-CLICK, MICRO-CON-X STANDARD PRODUCT CUSTOMER: _____ PART NUMBER: W17282-XPG-P-300	
DIRECTORY: SLW			REV 0A	

CUSTOMER PRINT

PART NUMBER: W17282-XPG-P-300