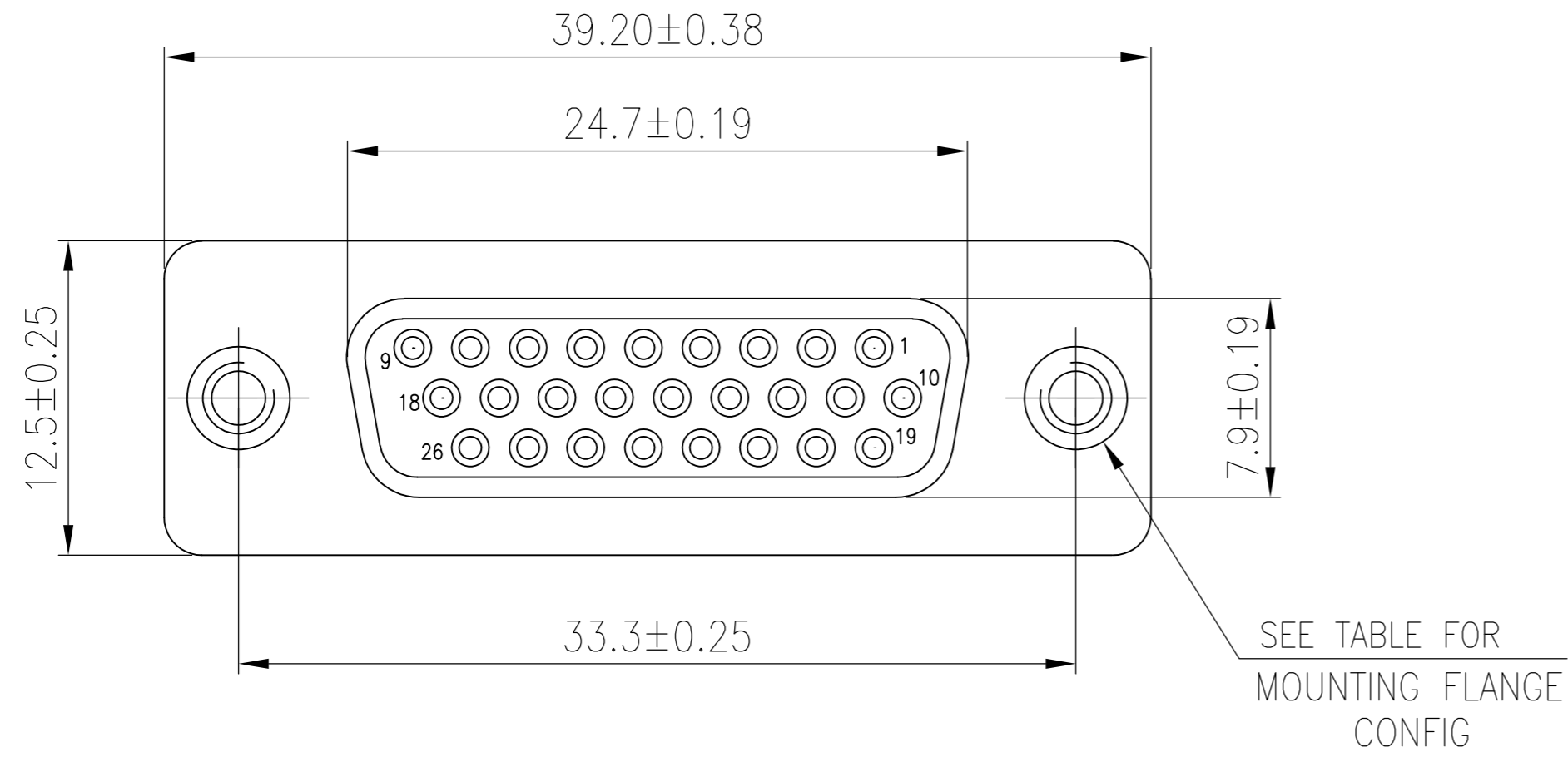


THIS DRAWING IS UNPUBLISHED. RELEASED FOR PUBLICATION
 © COPYRIGHT - TE Connectivity Ltd. ALL RIGHTS RESERVED.

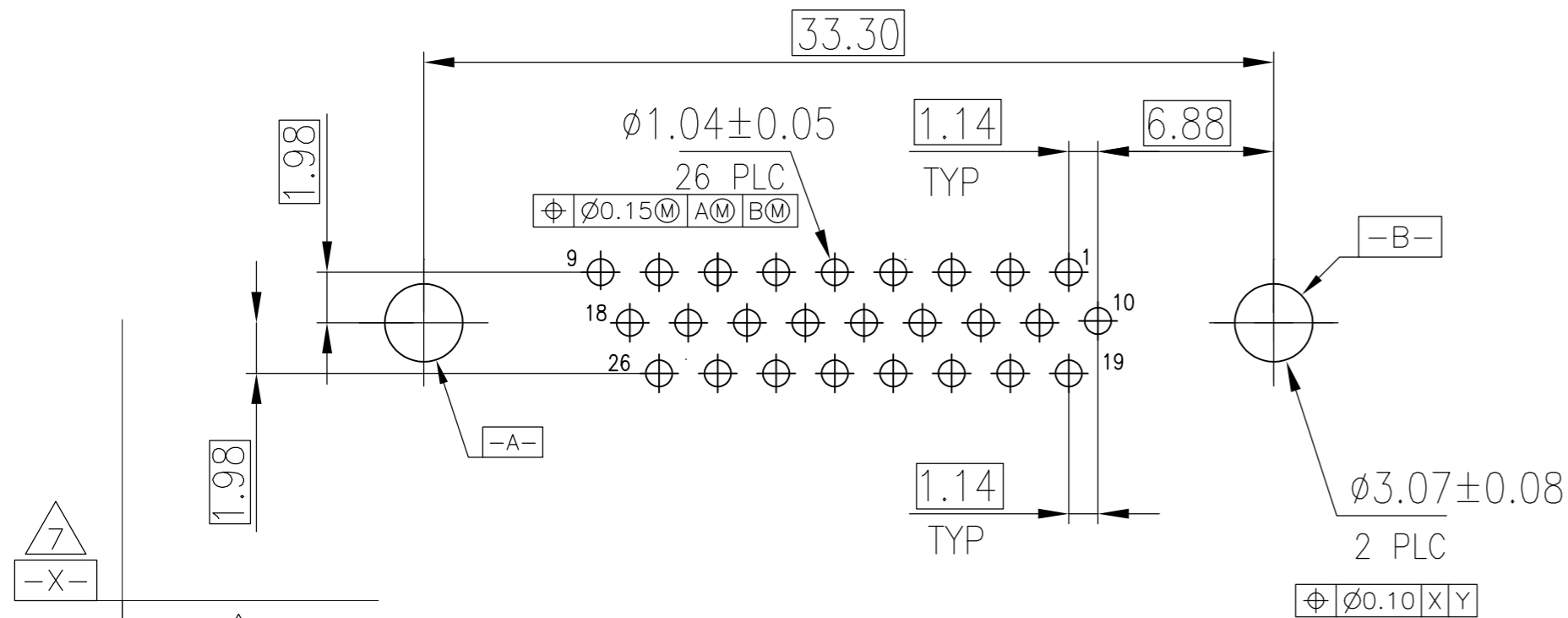
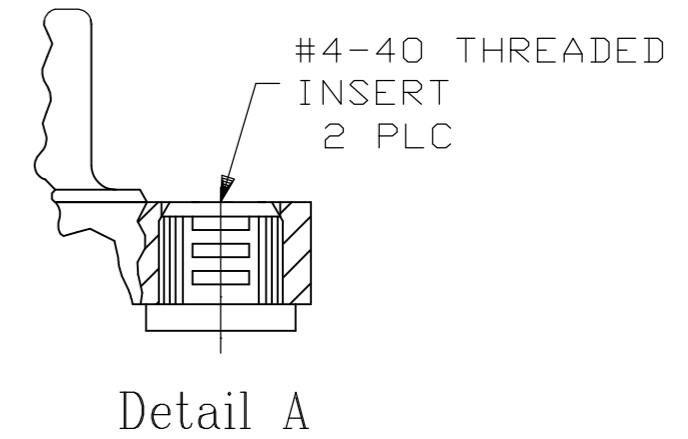
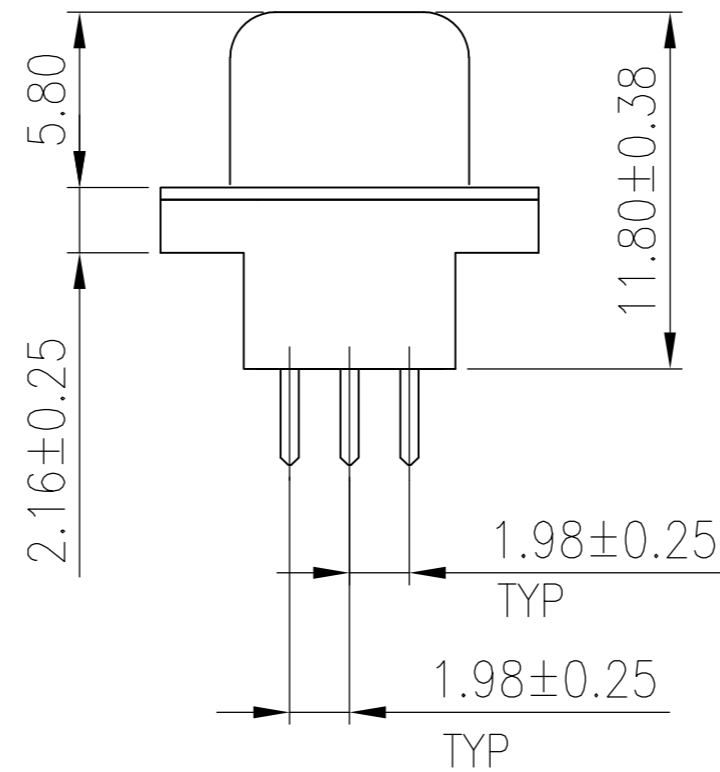
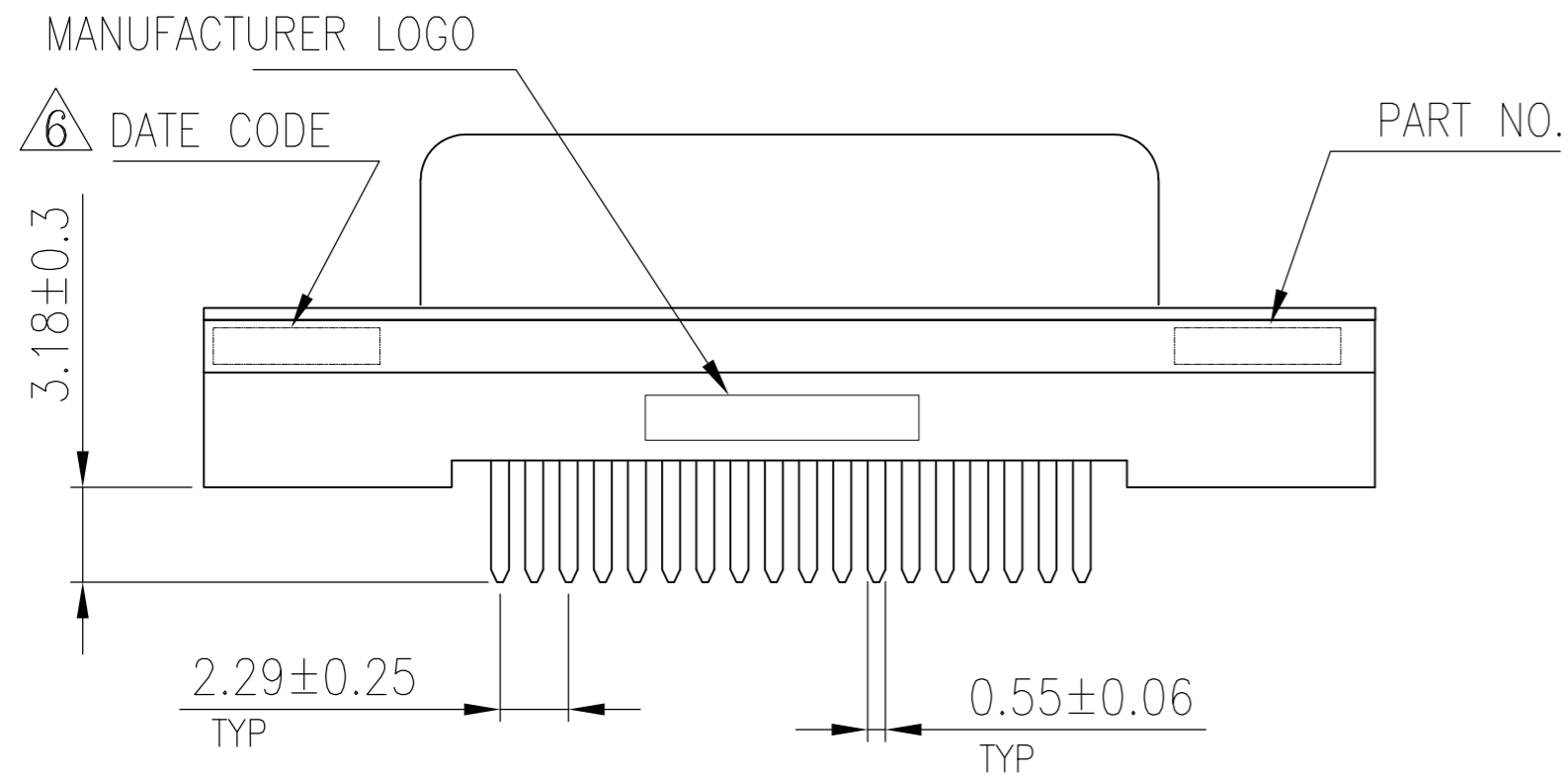
REVISIONS				
P	LTR	DESCRIPTION	DATE	APVD
C		REVISED PER ECO-17-013750	16FEB2018	AP DG



- Housing material: PBT , Glass Filled, black, UL 94V-0 Rated.
- CONTACT MATERIAL: PHOSPHOR BRONZE.
- CONTACT FINISH: GOLD PLATE IN MATING AREA (SEE TABLE), 120µ" MIN TIN PLATE ON SOLDER TAIL, BOTH OVER 50µ" MIN NICKEL UNDERPLATE.
- SHELL: STEEL, NICKEL PLATE.
- THREADED INSERTS: BRASS, NICKEL PLATE.
- △ FOUR DIGIT DATE CODE IN THIS FORMAT.

Year 01 45 Manufacturing Week

△ DATUMS -X- & -Y- TO BE ESTABLISHED BY CUSTOMER.



OBSOLETE	Tray	Detail A	Gold flash	5749030-4
OBSOLETE	Tray	Detail A	15µ" MIN	5749030-3
SUPERSEDED BY 2317170-1	Tray	Detail A	30µ" MIN	5749030-1
Packaging	Mounting Flange Configuration	CONTACT MATING AREA FINISH	PART NUMBER	

THIS DRAWING IS A CONTROLLED DOCUMENT.		DWN B. MCMASTER 21SEP05	TE Connectivity Ltd.	
DIMENSIONS: mm		CHK S. BOLASH 21SEP05		
TOLERANCES UNLESS OTHERWISE SPECIFIED:		APVD M. WALMSLEY 21SEP05	NAME AMPLIMITE HD-22	
0 PLC ± -		PRODUCT SPEC 108-1092	26 POS RECEPTACLE, VERTICAL	
1 PLC ± 0.30		APPLICATION SPEC 114-13199	SIZE A2	CAGE CODE 00779
2 PLC ± 0.20		WEIGHT 0.000000	DRAWING NO C=5749030	RESTRICTED TO -
3 PLC ± 0.10		CUSTOMER DRAWING	SCALE 1:1	SHEET 1 of 1
4 PLC ANGLES ± 2°				REV C
FINISH -				