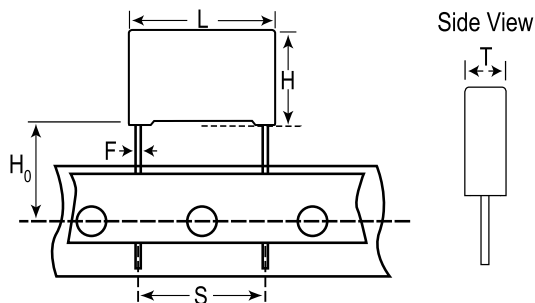


KEMET Part Number: PHE426HJ5330JR17TA
(F426JJ333J250R, PHE426HJ5330JJ02R17TA)

PHE426/F426, Film, Metallized Polypropylene, General Purpose, 0.033 uF, 5%, 250 V, 85C, Lead Spacing = 5mm



General Information	
Supplier:	KEMET
Series:	PHE426/F426
Dielectric:	Metallized Polypropylene
Style:	Radial
Features:	Pulse
RoHS:	Yes
Lead:	Wire Leads
Notes:	Not For New Design, Please Check Possible Alternative Parts (AltPart)

Dimensions	
L	7.2mm MAX
H	8mm MAX
T	3.5mm MAX
S	5mm +0.6/-0.1mm
H0	17mm NOM
F	0.5mm NOM

Specifications	
Capacitance:	0.033 uF
Capacitance Tolerance:	5%
Voltage DC:	250 VDC, 185 VDC (105C)
Voltage AC:	160 VAC
Temperature Range:	-55/+105C
Rated Temperature:	85C
Dissipation Factor:	0.05% 1kHz, 0.25% 100kHz
Insulation Resistance:	100 GOhms
Max dV/dt:	40 V/us
Inductance:	6 nH

Packaging Specifications	
Packaging:	T&R