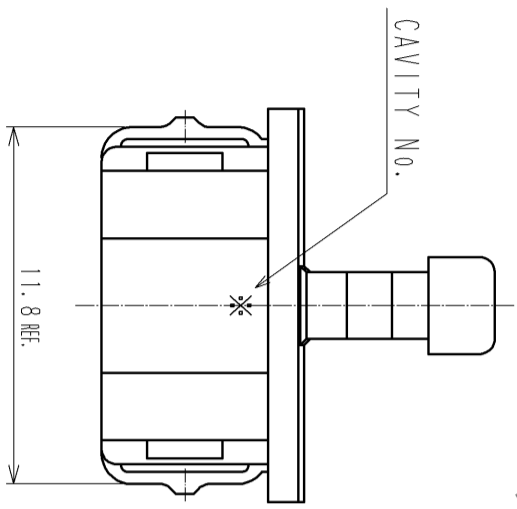
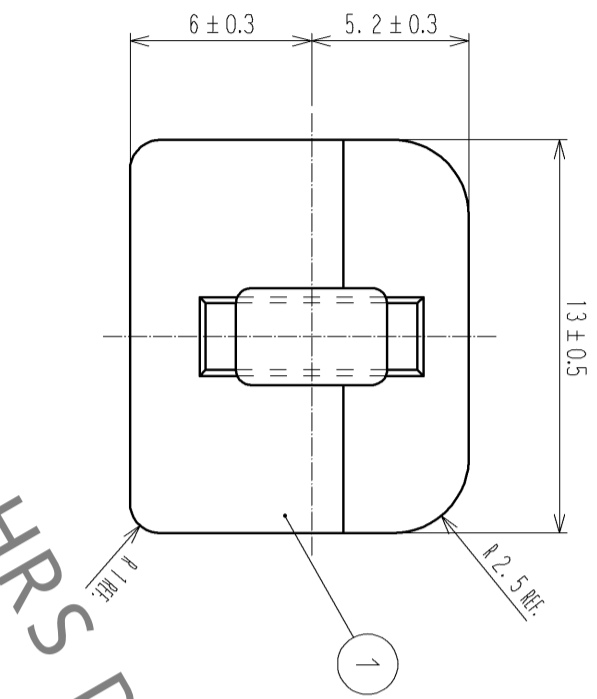
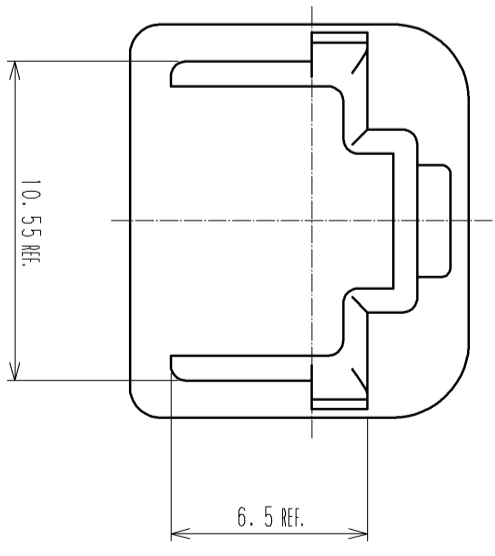
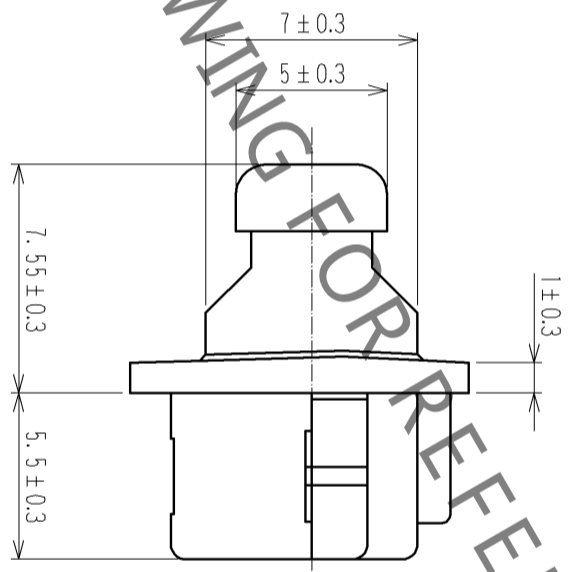


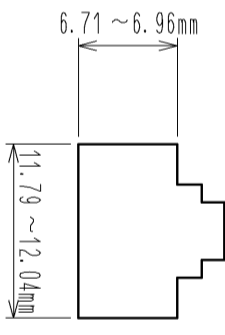
3.2±0.3



HRS DRAWING FOR REFERENCE



NOTES 1. THIS PRODUCT IS FOR 8 POSITION-MODULAR JACK CONNECTOR WHICH MEETS TO FCC OR ISO STANDARD'S DIMENSIONS. EXCEPT FOR SPECIAL CONNECTORS WHICH HAS KEY, HOLLOW AND SO ON.  
 • STANDARD OPENING DIMENSIONS OF MODULAR JACK



2. PER PACK : 100 PIECES.

1	POLYAMIDE	BLACK, UL94V-0							
NO.	MATERIAL	FINISH . REMARKS	NO.	MATERIAL	FINISH . REMARKS	NO.	MATERIAL	FINISH . REMARKS	NO.
UNITS	SCALE	COUNT	DESCRIPTION OF REVISIONS	DESIGNED	CHECKED	DATE	DESIGNED	CHECKED	DATE
mm	4 : 1								
APPROVED : R.I. TAKAYASU			12.06.21			DRAWING NO.			EDC3-126314-01
CHECKED : E.J. WAKATSUKI			12.06.21			PART NO.			TM-8-DC2
DESIGNED : TS. ITO			12.06.20			CODE NO.			CL222-0805-4-00
DRAWN : TS. ITO			12.06.20			NO.			

