

REV. A		SHEET 1 OF 2		DOCUMENT NO. RVPX-J16EXX	
REVISIONS					
LTR	DESCRIPTION			DATE	
A	INITIAL RELEASE			11-FEB-16	

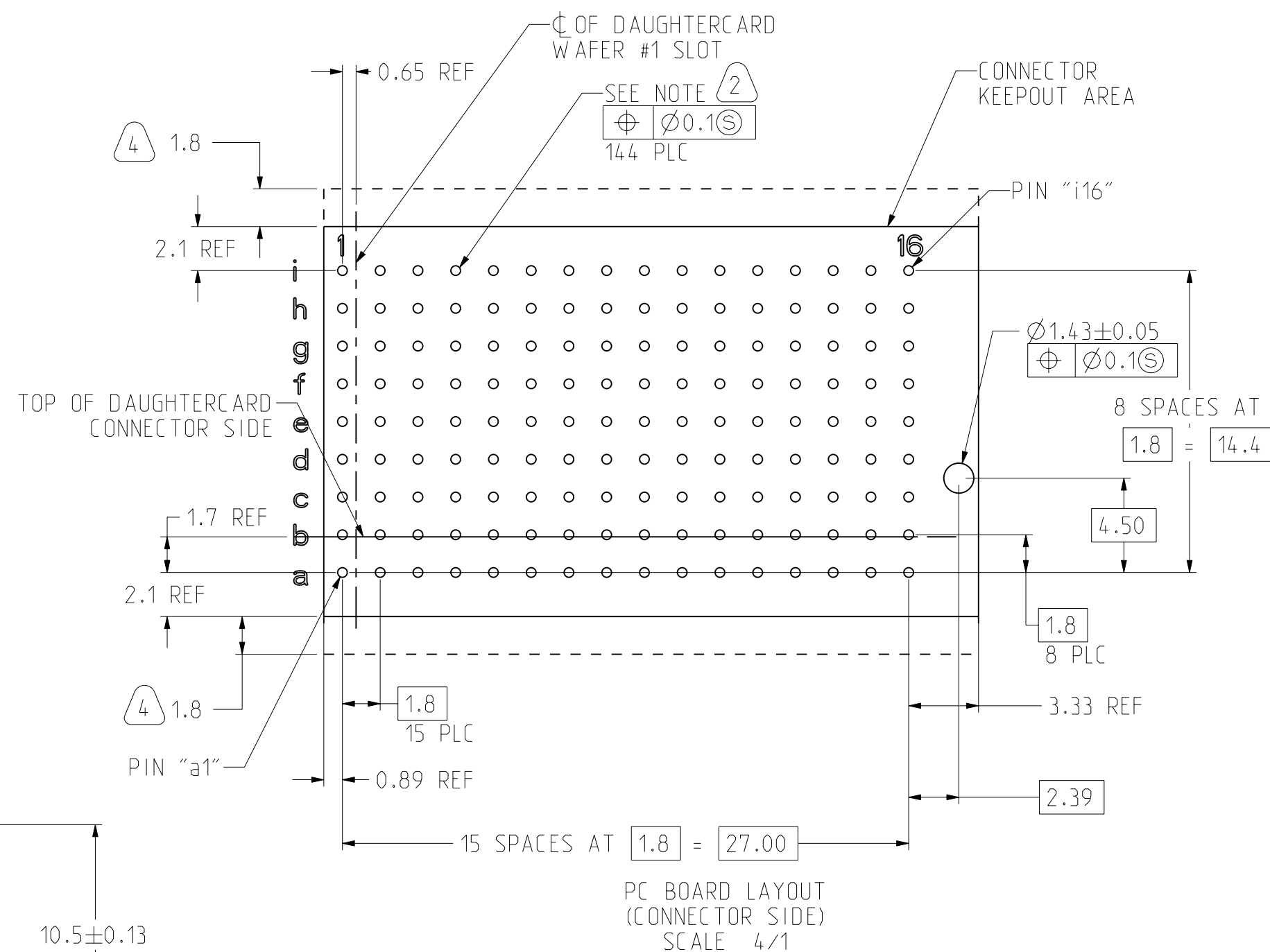
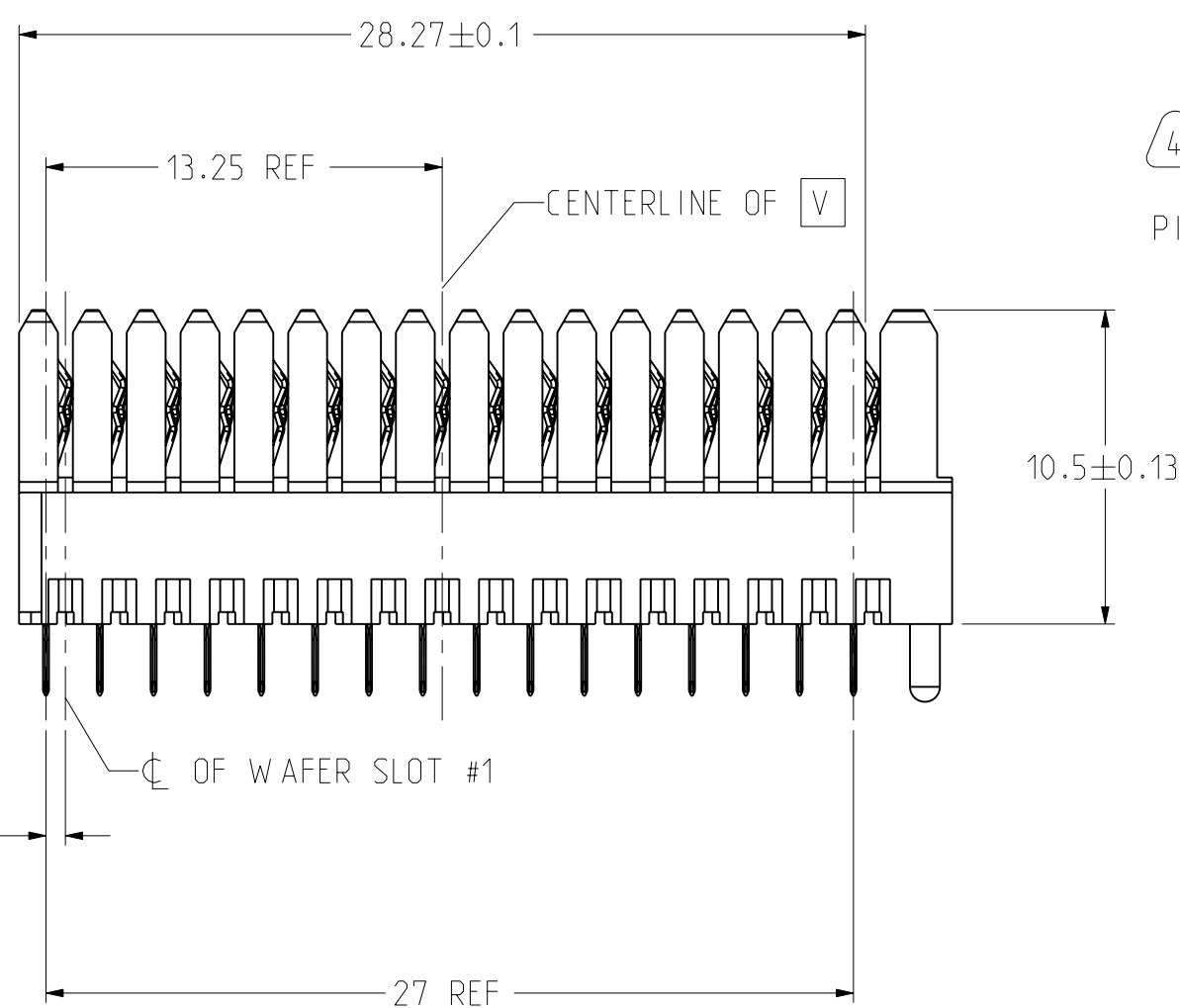
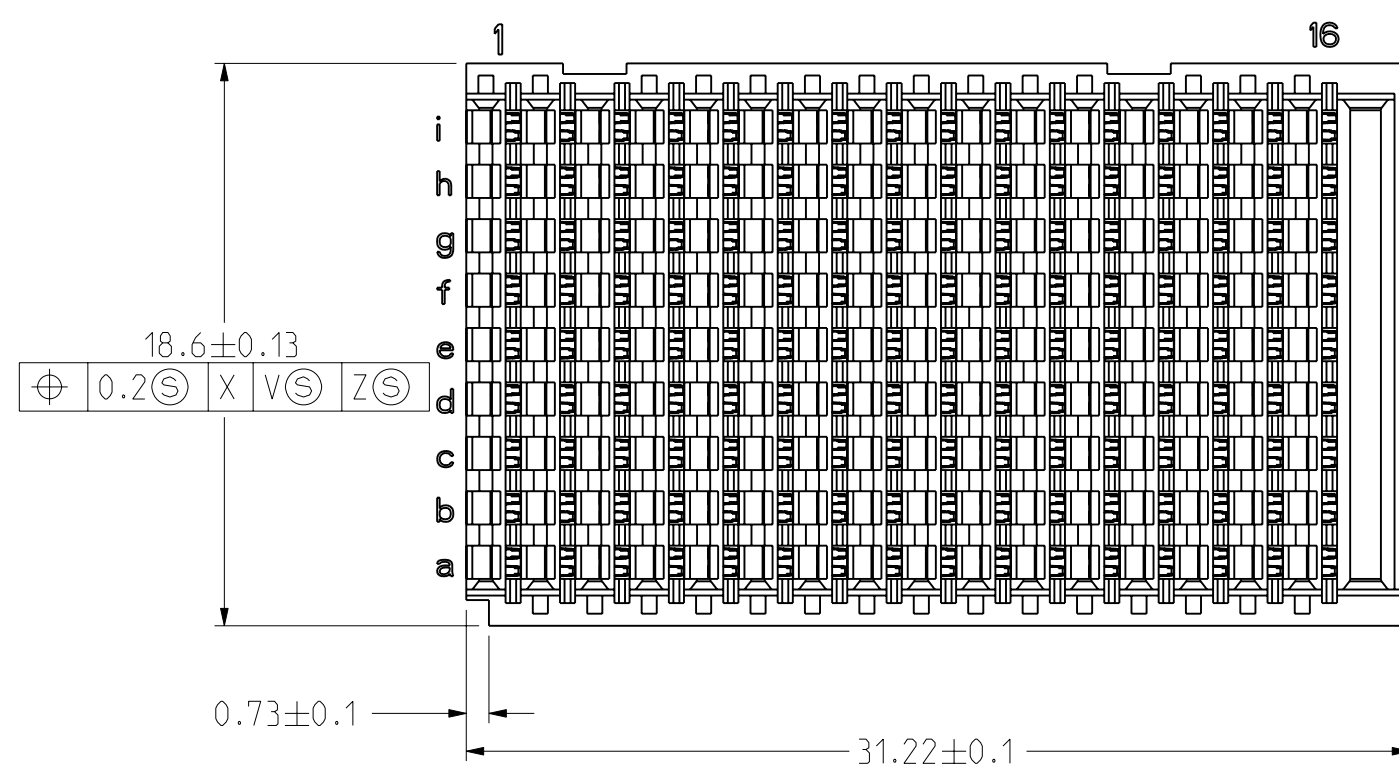
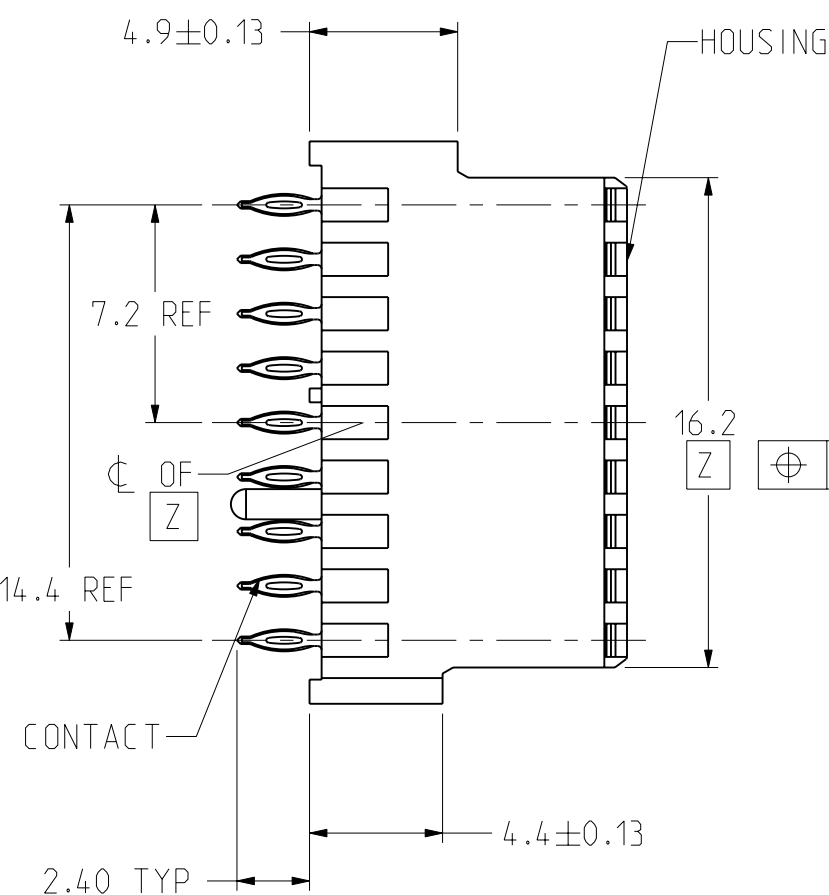


TABLE 1

PLATING THICKNESS AND MATERIAL BY PART NUMBER			
PART NUMBER	GOLD IN CONTACT AREA	COMPLIANT	NICKEL OVERALL
RVPX-J16EM1	50 μ-INCH MIN	50 μ-INCH MIN TIN	50 μ-INCH MIN
RVPX-J16EM2	50 μ-INCH MIN	50 μ-INCH MIN TIN-LEAD	50 μ-INCH MIN
RVPX-J16EC1	30 μ-INCH MIN	50 μ-INCH MIN TIN	50 μ-INCH MIN
RVPX-J16EC2	30 μ-INCH MIN	50 μ-INCH MIN TIN-LEAD	50 μ-INCH MIN

4 ADDITIONAL CONNECTOR-SIDE KEEP-OUT AREA REQUIRED IF CONNECTOR-SIDE EXTRACTION TOOL IS TO BE USED.

3 SEE TABLE 1 FOR PART NUMBER AND FINISHES

2 PTH CALLOUT
TYPICAL HOLE
Ø0.63-.67 DRILL
Ø0.56 ±.05 FINISH HOLE
Ø1.02 PAD

NOTES: 1 HOUSING: GLASS FILLED LCP, UL94 - V0
CONTACT: Cu ALLOY

THE USE OF THIS DOCUMENT IS UNLIMITED. HOWEVER, DOCUMENTS REFERENCED HEREON MAY CONTAIN LIMITED RIGHTS DATA.

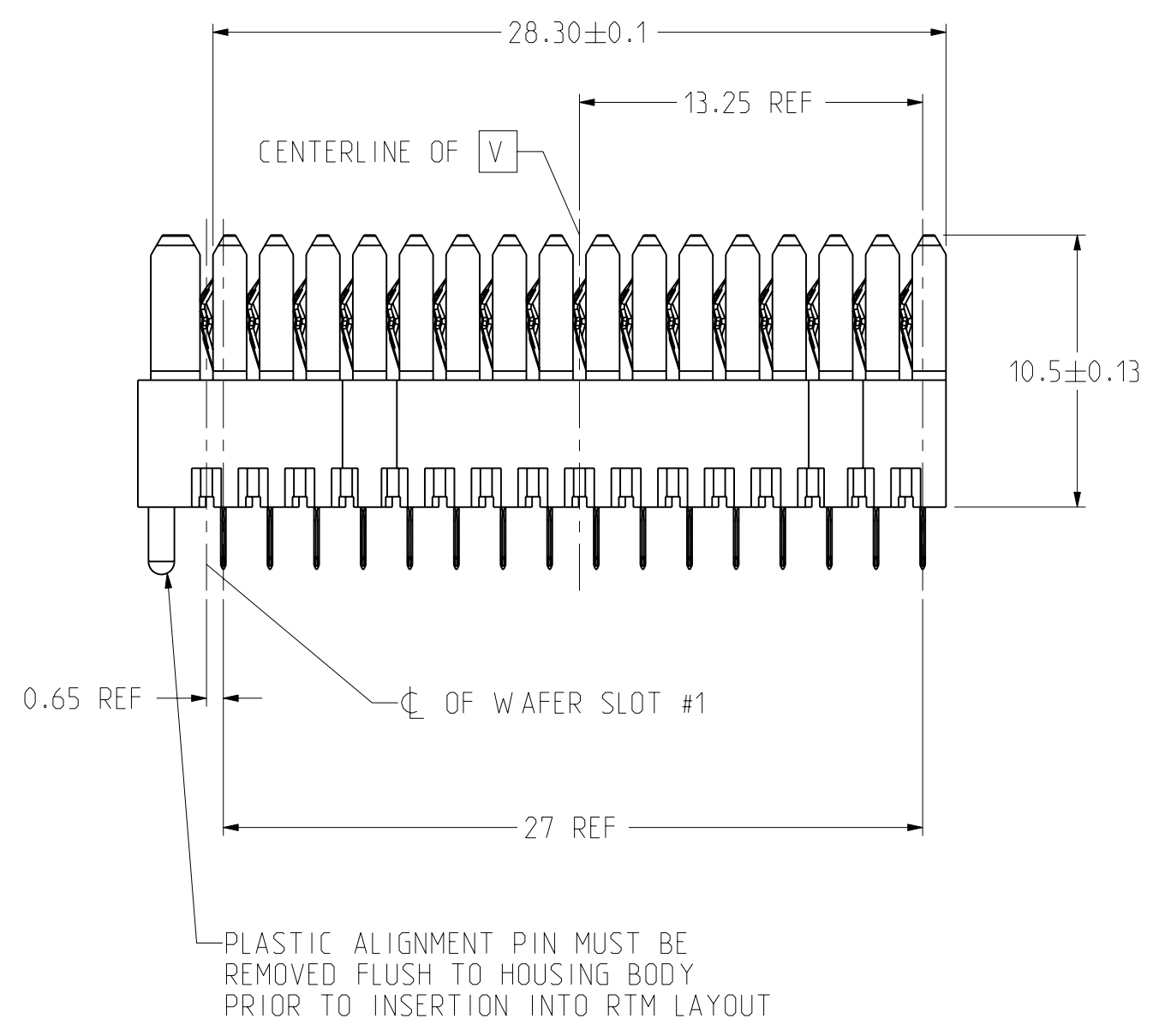
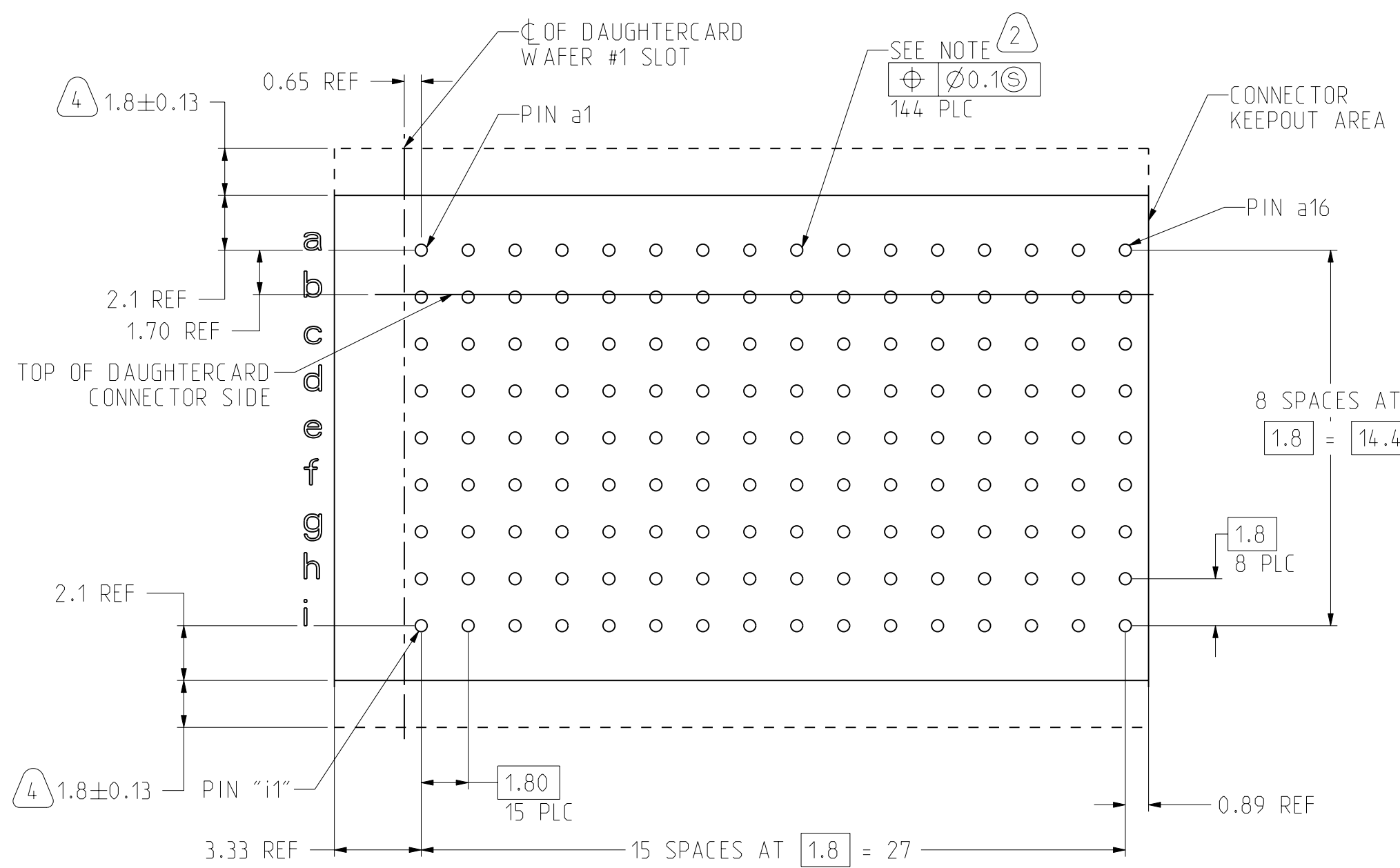
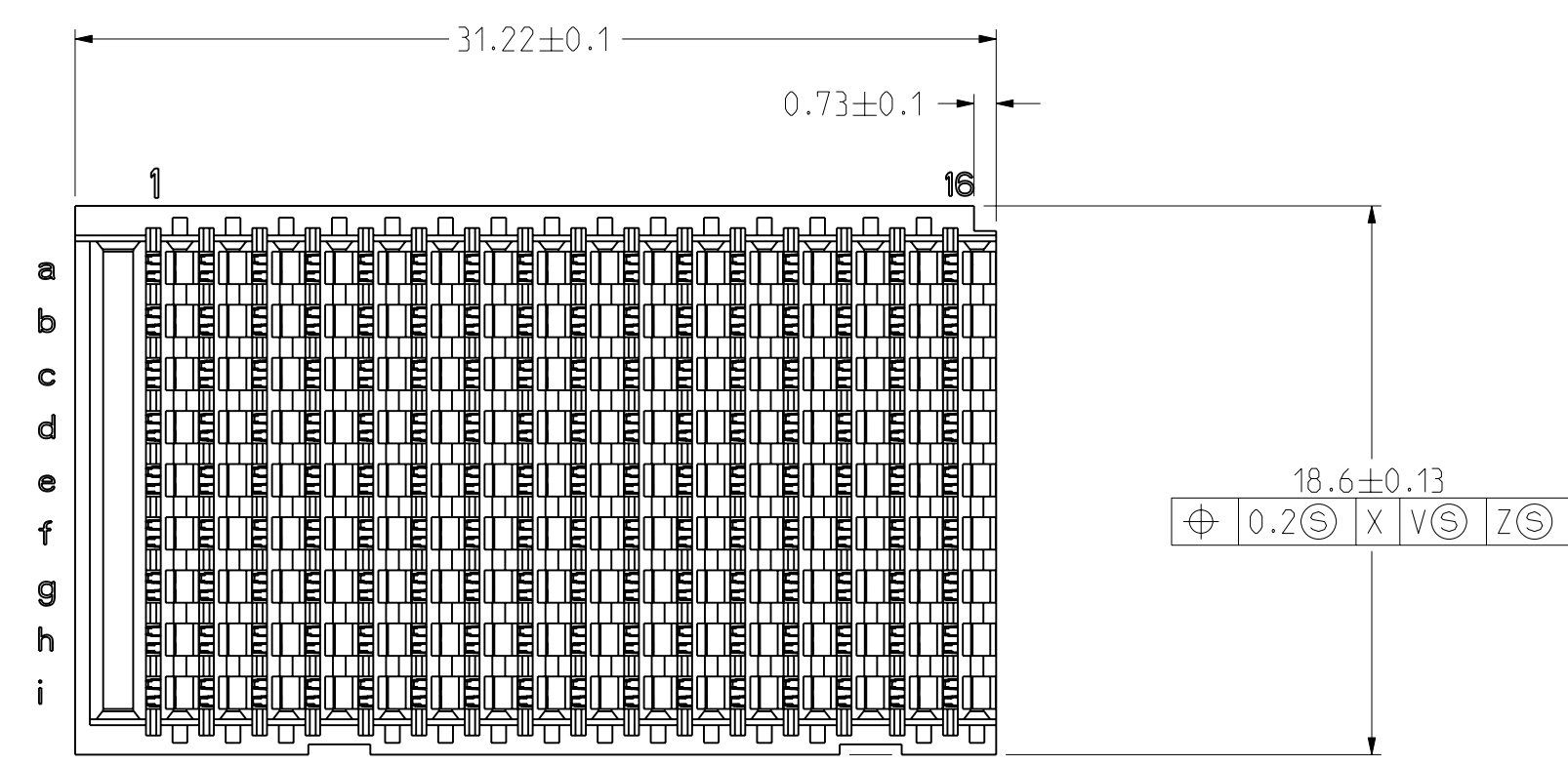
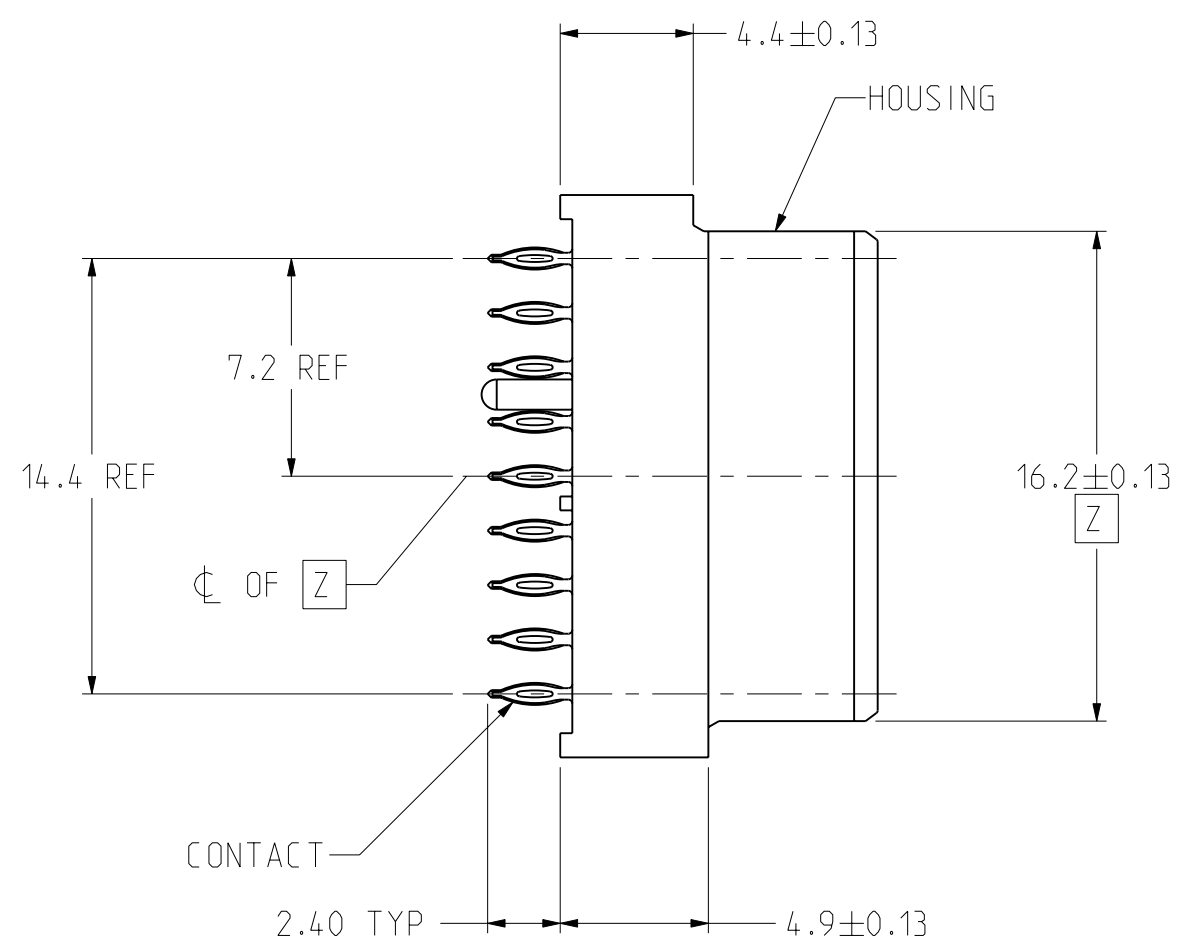
N/A
NEXT ASSEMBLY

PRO/ENGINEER INFORMATION
Pro/e Model Used:
RVPX-J16EXX.PART
Drawing Name:
RVPX-J16EXX

UNLESS OTHERWISE SPECIFIED		SPECIFICATIONS		POS	QTY	PART NUMBER	DESCRIPTION	NOTE
LINEAR DIMENSIONS ARE IN MILLIMETERS TOLERANCES: .XXXX = ±. - ANGLES = ±1° .XXX = ±. - .XX = ±.13 .X = ±.5		MATERIAL SPEC. N/A		APPROVALS		DATE		PARTS LIST AMPHENOL CORPORATION 40-60 DELAWARE AVENUE SIDNEY, N.Y. 13858 CONNECTOR ASSEMBLY, BACKPLANE VERTICAL RECEPTACLE, 16 POS., RIGHT END RVPX
DIM. & TOL. PER ASME Y14.5M; DRM PER MIL-DTL-31000; OTHER Amphenol Stds. PER 9-3800		PROCESS SPEC. 9-3895 9-3856-5		ENGINEER IN CHARGE S. LANGELIER		22-SEP-15		
LEGENDS: = FLAG NOTE CALL OUT REFERENCE ONLY		THIRD ANGLE PROJECTION		DESIGN MANAGER J. PAUL		DESIGN ACTIVITY GROUP BOARD LEVEL		
				SIZE C		CAGE CODE 77820		
						DOCUMENT NO. RVPX-J16EXX		REV. A
						SCALE: 4.0		SHEET 1 OF 2

DOCUMENT NO. RVPX-J16EXX
 SHEET 1 OF 2
 REV. A
 Eng. PDM Information For Reference Only
 REVISION A
 VERSION 0

REAR TRANSITION MODULE APPLICATION



RTM PC BOARD LAYOUT
(CONNECTOR SIDE)
SCALE 5/1

NOTES:
THE USE OF THIS DOCUMENT IS UNLIMITED. HOWEVER, DOCUMENTS REFERENCED HEREON MAY CONTAIN LIMITED RIGHTS DATA.

DOCUMENT NO. RVPX-J16EXX SHEET 2 OF 2 REV. A

REVISION A SHEET 2 OF 2 REV. A

SIZE C	CAGE CODE 77820	DOCUMENT NO. RVPX-J16EXX	REV. A
SCALE: 4.0		REF:	SHEET 2 OF 2