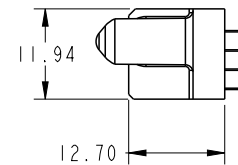
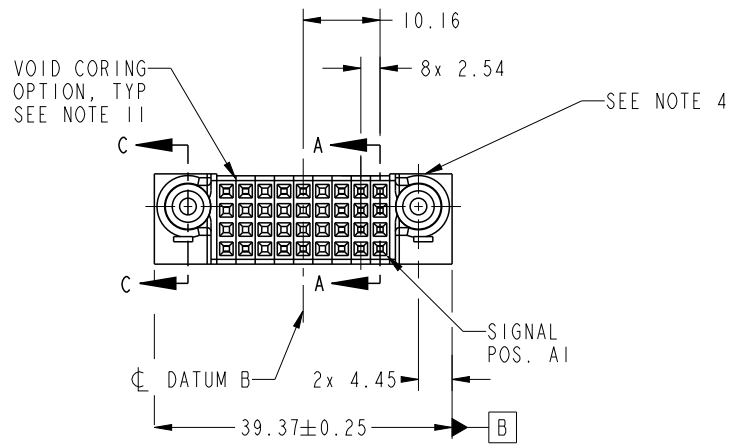


PRODUCT NO.	ROWS	SIGNAL										
		E2	9	8	7	6	5	4	3	2	1	E1
51940-503-- NOTE: 3	D		E	E	X	E	E	X	E	E	E	E
	C		X	X	X	X	X	X	X	E	E	E
	B		X	X	X	X	X	X	X	E	E	E
	A		E	E	X	E	E	X	E	E	E	E

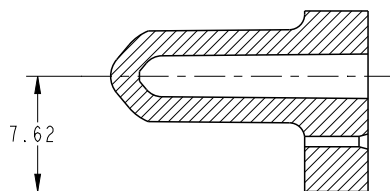
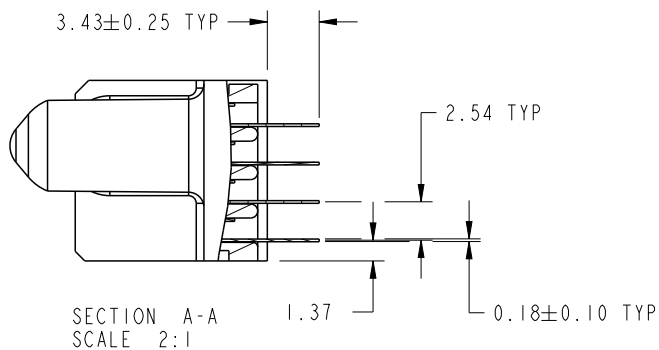


CODE	DIM "M" MATING LENGTH	CONTACT TYPE
X	OMITTED	OMITTED
E	[N/A]	SIGNAL

spec ref	*	dr	Jackie Huang	2013/07/12	projection	MM	size	A4	scale	1:1	
tolerance std	TOLERANCES UNLESS OTHERWISE SPECIFIED	eng	Jackie Huang	2013/07/31			ecn no	-			
SEE NOTE		chr	-	-	product family			PwrBlade	rel level	Released	
surface	✓	appr	Pei-Ming Zheng	2013/07/31	title	36S	dwg no	51940-503		rev	A
	linear	0.X	±0.5		cat. no.	*	Product - Customer Drw		sheet 1 of 4		
		0.XX	±0.25								
		0.XXX	±0.1								
	angular	0°	±2°	www.fci.com							

PRODUCT NUMBER

51940-503\_\_  
NOTE: 3



SECTION C-C  
SCALE 2:1

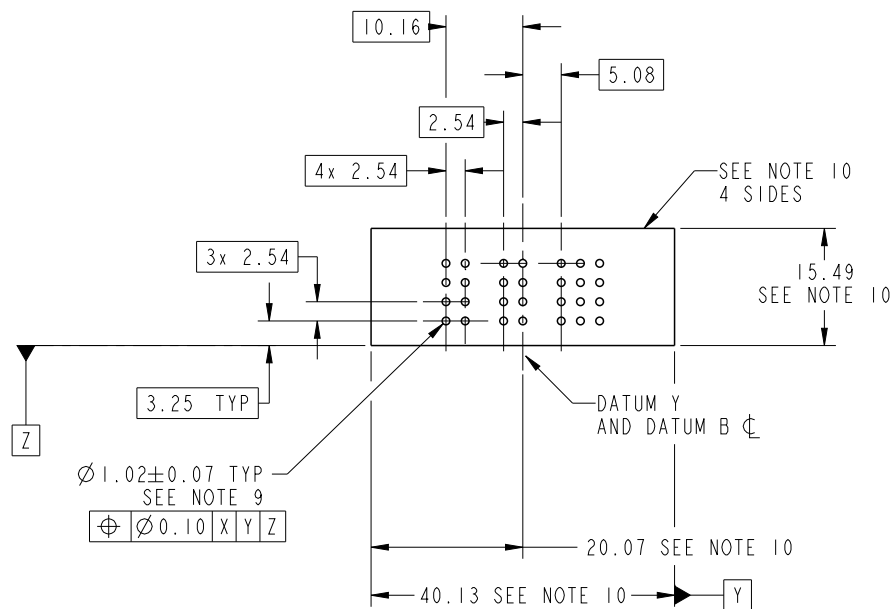
dr	Jackie Huang	2013/07/12	projection 	MM 	size	A4	scale	1:1			
eng	Jackie Huang	2013/07/31			ecn no	-					
chr	-	-			product family	PwrBlade	rel level	Released			
appr	Pei-Ming Zheng	2013/07/31			title	36S		dwg no	51940-503	rev	A
www.fci.com		cat. no.	*	Product - Customer Drw			sheet 2 of 4				



Copyright FCI.

PRODUCT NUMBER

51940-503\_\_  
NOTE: 3



RECOMMENDED PCB LAYOUT

dr	Jackie Huang	2013/07/12	projection 	MM 	size	A4	scale	1:1	
eng	Jackie Huang	2013/07/31			ecn no	-			
chr	-	-			rel level	Released			
appr	Pei-Ming Zheng	2013/07/31	product family	PwrBlade					
		title	36S		dwg no	51940-503		rev	A
www.fci.com		cat. no.	*	Product - Customer Drw			sheet 3 of 4		



PRODUCT NUMBER

51940-503\_\_  
NOTE: 3

NOTES:

1. DIMENSIONS AND TOLERANCES ARE IN ACCORDANCE WITH ASME Y14.5M, 1994 UNLESS OTHERWISE SPECIFIED.

CONNECTOR NOTES:

- 2 HOUSING MATERIAL: UL 94 V-0 GLASS FILLED HIGH-TEMP THERMOPLASTIC  
POWER CONTACT MATERIAL: COPPER ALLOY  
SIGNAL PIN MATERIAL: COPPER ALLOY
- 3. SEE ITEM 5 & 6 IN PRINT 10064183 FOR PLATING SPEC OF 51940-503 AND 51940-503LF RESPECTIVELY.
- 4 MANUFACTURER'S NAME, DATE CODE AND OPTIONAL P/N TO APPEAR ON THIS SURFACE. THE MARK CAN BE OMITTED IF THERE IS NOT ENOUGH SPACE ON THIS SURFACE.
- 5. PRODUCT SPECIFICATION GS-12-149.  
APPLICATION SPECIFICATION BUS-20-067.
- 6. PACKAGED IN TRAYS.
- PCB NOTES:
- 7. ALL HOLE DIAMETERS ARE FINISHED HOLE SIZE.
- 8 MOUNTING HOLES, WHERE APPLICABLE, ARE UNPLATED.
- 9  $\varnothing 1.151 \pm 0.025$  DRILLED HOLES PLATED WITH  
0.008 MIN SnPb OR Sn OVER 0.03  
TO 0.08 Cu PLATING TO ACHIEVE  
 $\varnothing 1.02 \pm 0.07$  HOLE.
- 10 CONNECTOR KEEP-OUT ZONE.
- 11. THE VOID CORING IN BETWEEN POWER MODULES, SIGNAL MODULES AND END MODULES ARE OPTIONAL AND THE SHAPE MAY BE DIFFERENT FOR OPTIMIZE THE MOLDING PROCESS. THE VOID CORING WILL NOT EFFECT TO PRODUCT FUNCTION.



Copyright FCI.

dr	Jackie Huang	2013/07/12	projection 	MM 	size	A4	scale	1:1		
eng	Jackie Huang	2013/07/31			ecn no	-				
chr	-	-			product family	PwrBlade	rel level	Released		
appr	Pei-Ming Zheng	2013/07/31			title	36S	dwg no	51940-503	rev	A
www.fci.com		cat. no.	*	Product - Customer Drw			sheet 4 of 4			