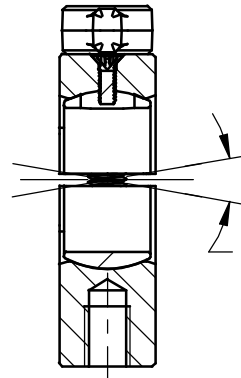


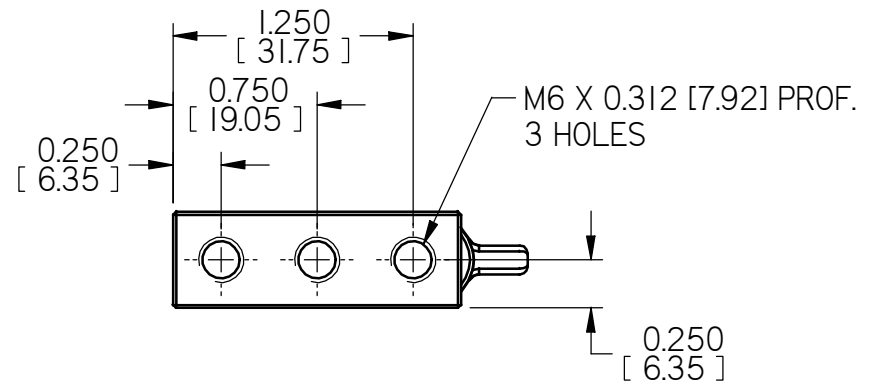
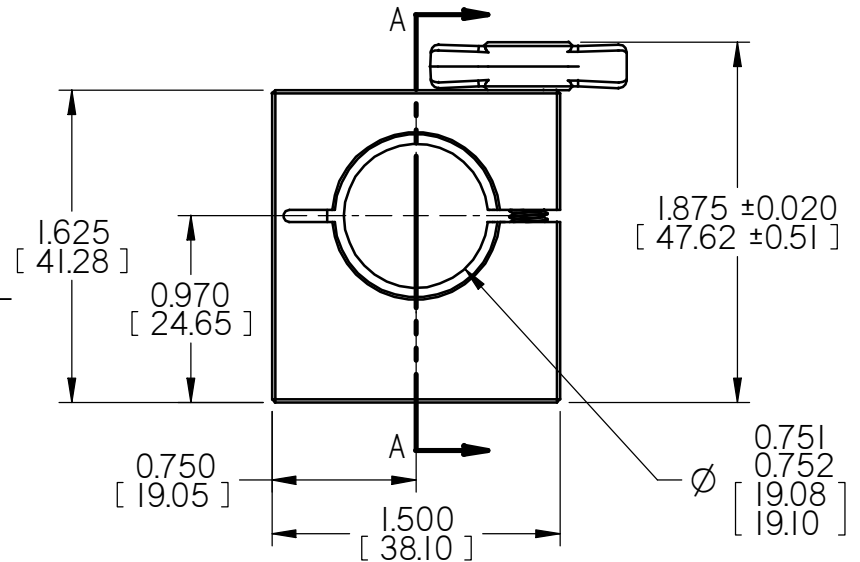
ISOMETRIC VIEW



SECTION A-A

20° OF SPHERICAL
ARTICULATION

Rev.	DESCRIPTION	DATE	RESP	ECO



NOTE : PART TO BE FREE OF BURRS AND SHARP CORNERS

<p>This print or drawing shall be used only with reference to contracts or proposals of</p> <p>Nothing disclosed herein not publicly available shall be used without written permission from</p> <p>COPYRIGHT ©</p>	<p>UNLESS OTHERWISE SPECIFIED :</p> <p>1. DIMENSIONS ARE IN : INCH [mm]</p> <p>2. TOLERANCES :</p> <p>FRACTIONS ± 1/64</p> <p>DECIMALS XXX ± 0.005</p> <p> XX ± 0.010</p> <p> X ± 0.015</p> <p>ANGLES ± 30°</p> <p>3. SURFACE FINISH : $\sqrt{32}$</p>	<p>DESIGNER L.DIONNE</p>			
		<p>APPVL</p>	<p>SCALE : 1=1</p>		
		<p>FINISH N/A</p>	<p>SHEET: 1 DE 1</p>	<p>REF DWG</p>	
		<p>MATERIAL:</p>	<p>TITLE</p> <p>METRIC SWIVEL BRACKET FOR STREAMLINE LASER</p>		<p>DATE</p> <p>2011/10/18</p>
			<p>DRAWING NO.</p> <p>300-0076</p>		<p>REV.: 0</p>