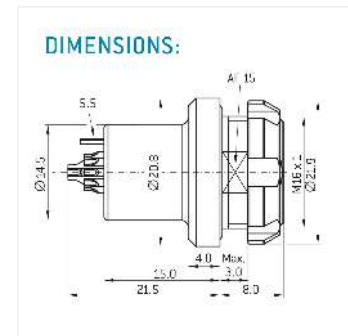
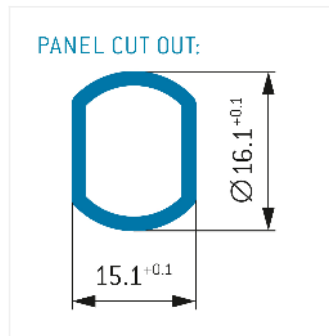
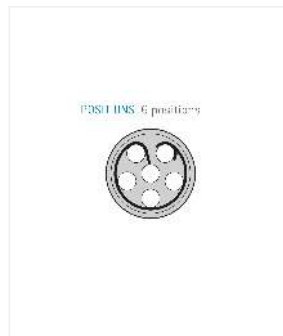
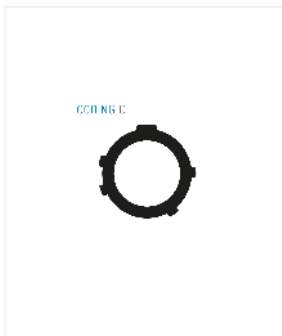


General information

Part number	G82YCR-P06UP00-000L
Termination	pcb
Size	2
Locking principle	break , push
Coding	c_key_amc
Cable Diameter	cable_amc_2



Contact insert description

Number of contacts	6
Contact type	sockets
Contact diameter	13mm
Insulator material	peek
Termination	pcb
Termination diameter	07mm

reverse_gender_on_request

Technical information

Nominal current single contact	07_a	iec_60512_5_2
Nominal current insert	5,25 A	vde_0298_4
Test voltage	15_kv_ac	eia_364_20f

safety_text

Mechanical and environmental data

Degree of protection*	ipsk8_ip6k9k
Operating temperature	51_125_c
Mating cycles	5000

mated

Material and surface treatments

Housing	ruthenium
Contact	cu_alloy_gold

safety_text_2
ul_text
illustrative_text