

FRONT-SFL 2,5/D32

Order No.: 2285593

<http://eshop.phoenixcontact.de/phoenix/treeViewClick.do?UID=2285593>

Screw socket, Nominal current: 4 A, Nom. voltage: 250 V, Number of positions: 32, Connection type: Screw connection, Color: green

Commercial data

EAN	4017918055998
Pack	10 pcs.
Customs tariff	85369010
Weight/Piece	0.11934 KG
Catalog page information	Page 534 (CC-2009)

Product notes

WEEE/RoHS-compliant since:
12/01/2007



<http://www.download.phoenixcontact.com>
Please note that the data given here has been taken from the online catalog. For comprehensive information and data, please refer to the user documentation. The General Terms and Conditions of Use apply to Internet downloads.

Technical data**Dimensions / positions**

Length	30.1 mm
Height	34.8 mm
Width	95 mm
Number of positions	32
Hole diameter	2.8 mm

Screw thread	M2,5
Tightening torque, min	0.4 Nm
Tightening torque max	0.5 Nm

Technical data

Insulating material group	I
Rated surge voltage (III/3)	4 kV
Connection in acc. with standard	EN-VDE
Nominal current I_N	4 A
Nominal voltage U_N	250 V
Insulating material	PA
Inflammability class acc. to UL 94	V2
Stripping length	10 mm

Connection data

Conductor cross section solid min.	0.2 mm ²
Conductor cross section solid max.	4 mm ²
Conductor cross section stranded min.	0.2 mm ²
Conductor cross section stranded max.	2.5 mm ²
Conductor cross section AWG/kcmil min.	24
Conductor cross section AWG/kcmil max	12

Certificates / Approvals



Certification CUL, GOST, UL

CUL

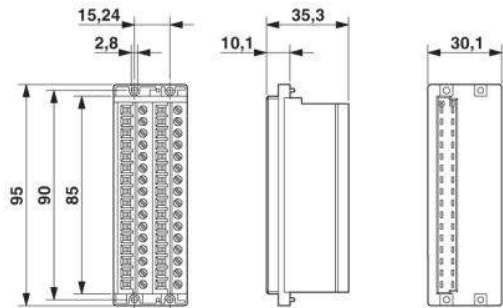
Nominal voltage U_N	300 V
Nominal current I_N	4 A
AWG/kcmil	30-12

UL

Nominal voltage U_N	300 V
Nominal current I_N	4 A
AWG/kcmil	30-12

Diagrams/Drawings

Dimensioned drawing



Address

PHOENIX CONTACT Deutschland GmbH
Flachmarktstr. 8
32825 Blomberg, Germany
Phone +49 5235 3 12000
Fax +49 5235 3 41200
<http://www.phoenixcontact.de>



© 2010 Phoenix Contact
Technical modifications reserved;