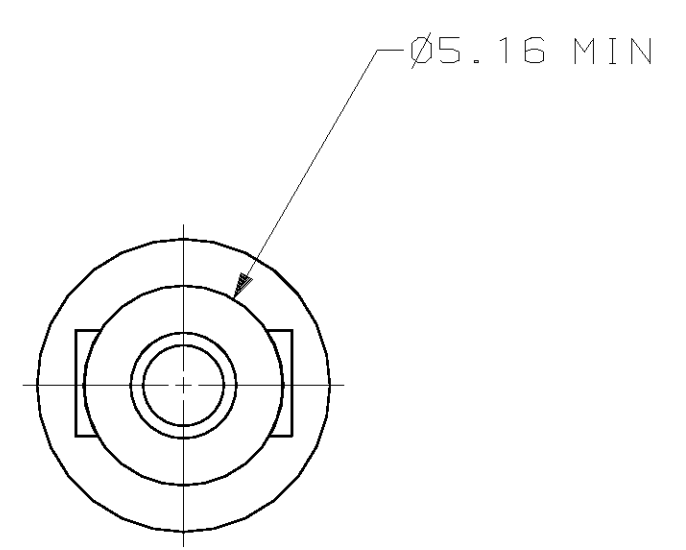
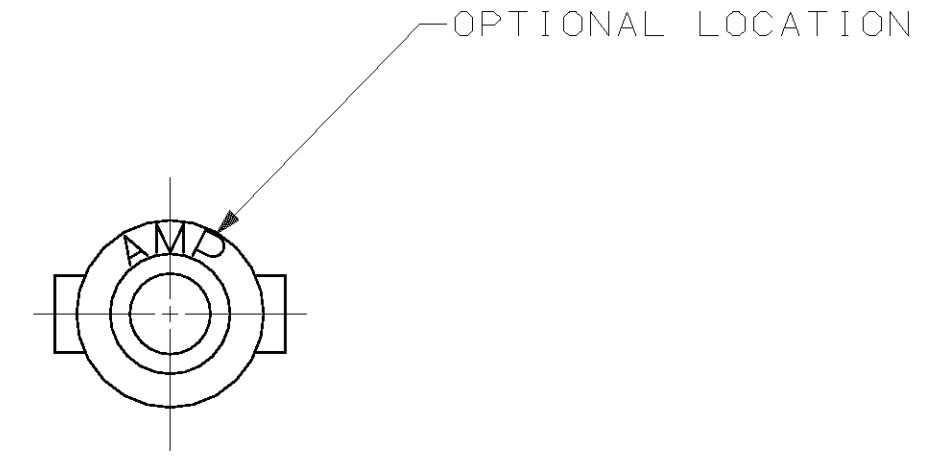
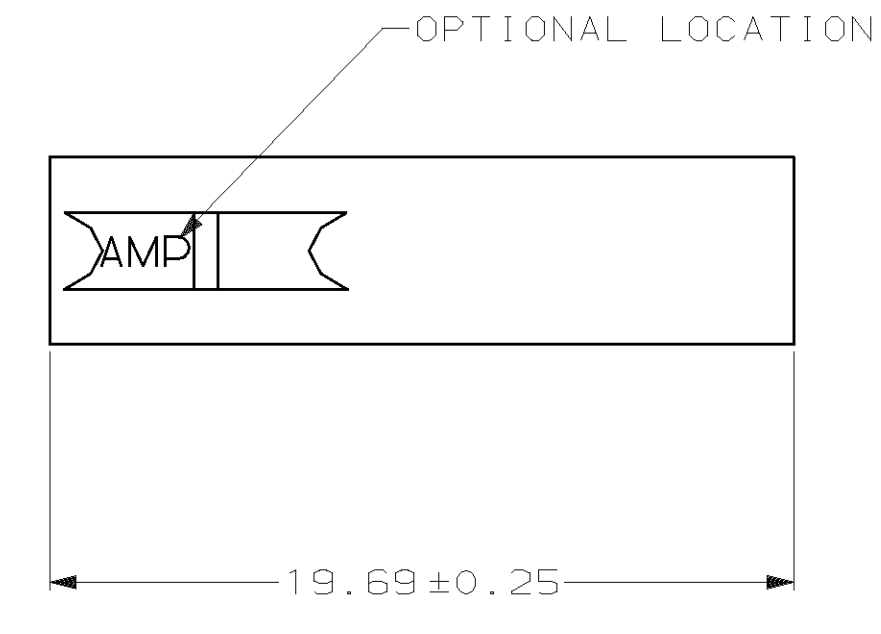
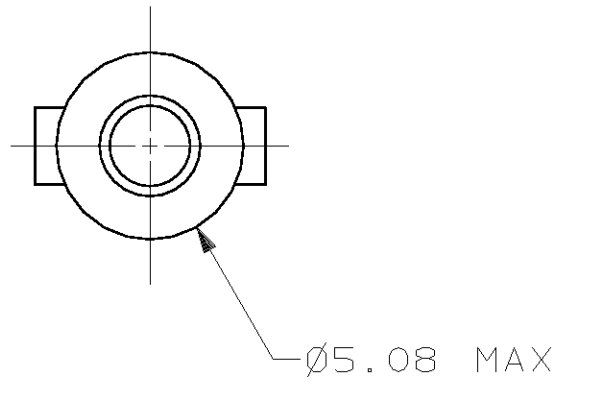
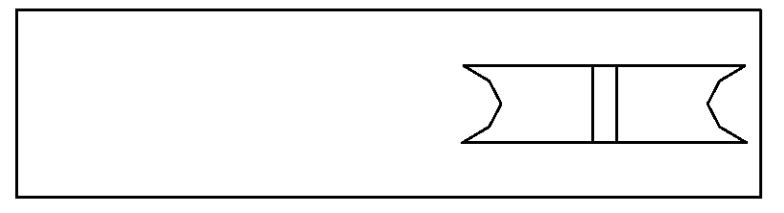
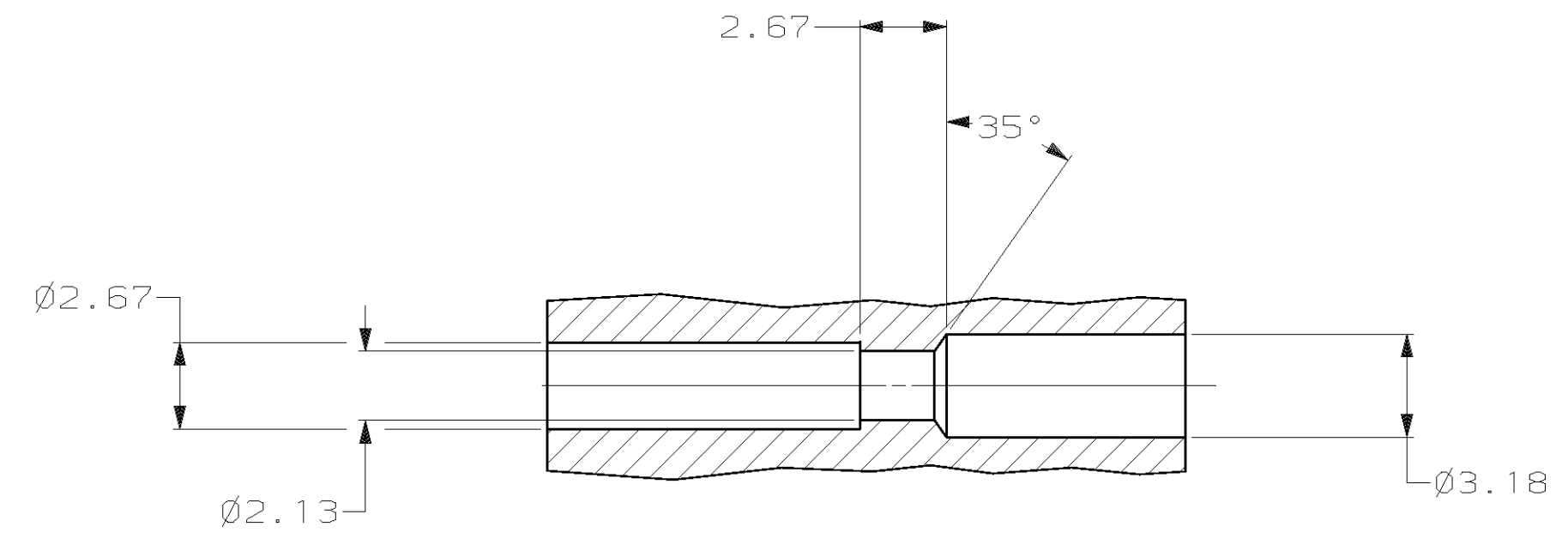


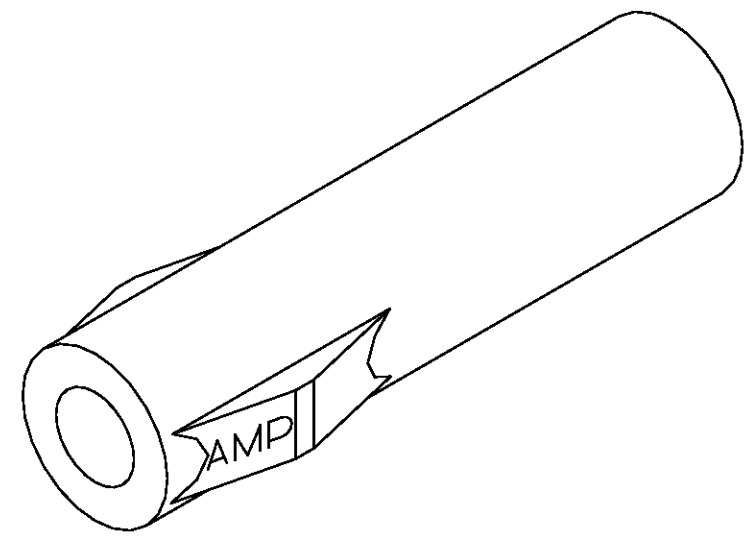
LOC		DIST		P		F		ZONE		LTR		REVISIONS		DATE	APPD	
CM	53												D	REV PER EC OL30-0096-96	11-6-96	JH RS



MATING CONNECTOR INTERFACE



TYPICAL RECEPTACLE CAVITY SECTION
(DIMENSIONS REFERENCE ONLY)



3-DIMENSIONAL MODEL
NTS

MM	IN	MM	IN	MM	IN
1.57	.062	3.18	.125	19.69	.775
0.25	.010	2.67	.105	5.16	.203
0.13	.005	2.13	.084	5.08	.200
MM	IN	MM	IN	MM	IN

CONVERSION TABLE

METRIC

THIS DRAWING IS A CONTROLLED DOCUMENT FOR AMP INCORPORATED. IT IS SUBJECT TO CHANGE AND THE CONTROLLING ENGINEERING ORGANIZATION SHOULD BE CONTACTED FOR THE LATEST REVISION.

DO NOT SCALE PRINT. UNLESS SPECIFIED DIMENSIONS IN mm (INCHES)		DR 2-15-94 K. WHITAKER		770277-1 PART NO	
TOLERANCES ON:		CHK 2-15-94 R. SWING		AMP Incorporated Harrisburg, PA 17105-3608	
2 PLC DEC ± 0.13		APPD 2-17-94 C. CASH		NAME	
3 PLC DEC ± -		APPD 2-17-94 C. CASH		RECEPTACLE, 1 CIRCUIT, .062 PIN AND SOCKET	
ANGLES ± -		APPD 2-17-94 C. CASH		SIZE	
MATERIAL		PRODUCT SPEC		CAGE CODE	
NYLON, UL 94V-2 NATURAL		-		00779	
FINISH		APPLICATION SPEC		DRAWING NO	
-		-		C-770277	
WEIGHT		-		SCALE	
-		-		5:1	
				SHEET	
				1 OF 1	