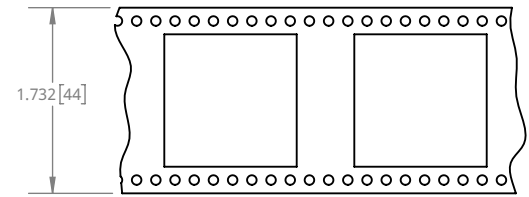
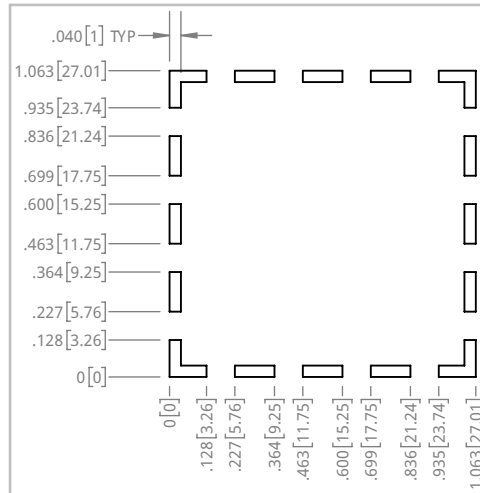
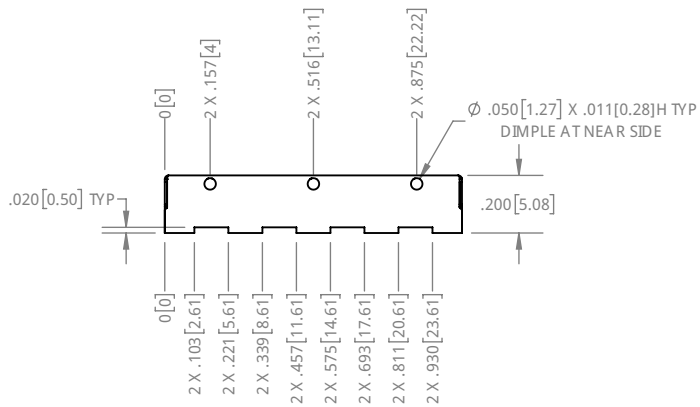
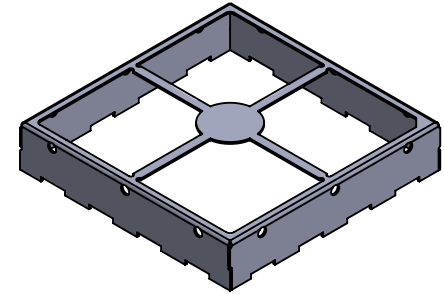
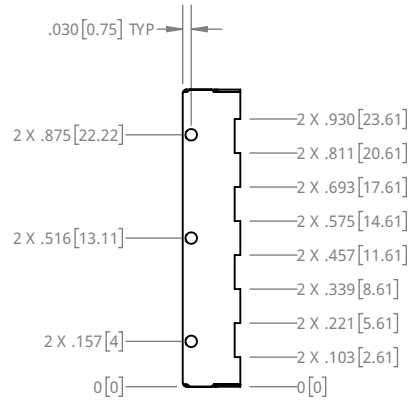
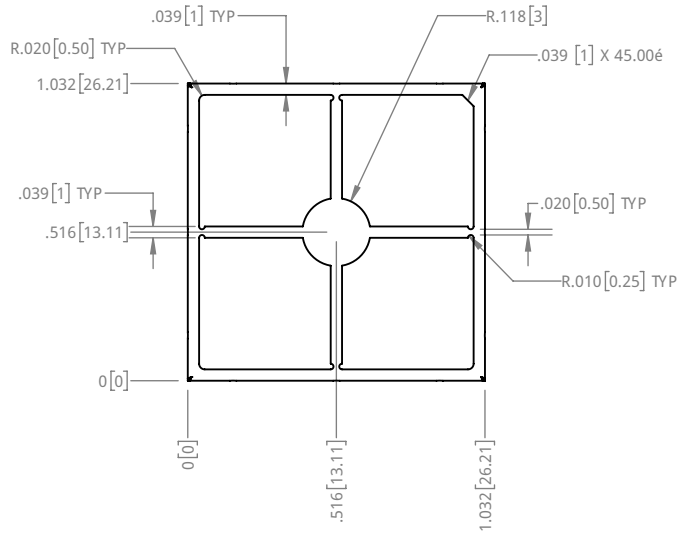


NOTES:

1. MATERIAL: 0.008" TIN PLATED STEEL PER ASTM A623/A624
2. PARTS PER REEL: 250



PROPRIETARY NOTICE: THESE DRAWINGS, LISTS OR SPECIFICATIONS ARE THE CONFIDENTIAL INFORMATION AND/OR TRADE SECRET OF 3G SHIELDING SPECIALTIES, P., AND USUALLY IN STRICT CONFIDENCE. NO PART AS AUTHORIZED BY 3G SHIELDING SPECIALTIES IN WRITING, THESE DRAWINGS, LISTS OR SPECIFICATIONS SHALL NOT BE REPRODUCED, TRANSMITTED, USED FOR THE PHYSICAL MANUFACTURE OR SALE OF EQUIPMENT OR USED FOR ANY OTHER PURPOSE OTHER THAN EVALUATION.

UNLESS OTHERWISE SPECIFIED  
U/M TO TOLERANCE  
INCHES ±0.005

DATE 15-12-10



PART NUMBER	REV.
PIC-S-203F	0
DESCRIPTION	SHIELD FRAME
SCALE	SHEET
1.5:1	1 OF 1