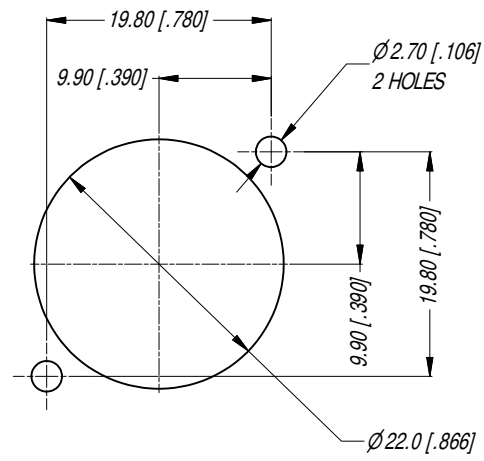


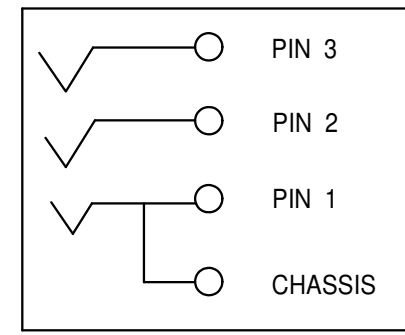
PCB LAYOUT

LAYOUT TOLERANCE : ± 0.05 [0.002 in]

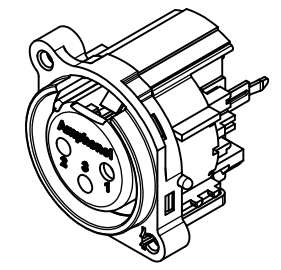
NOTE: DIMENSIONS IN PARENTHESES ARE IN INCHES.



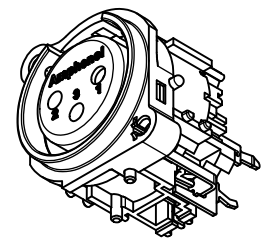
PANEL CUT OUT
REAR VIEW



SCHEMATIC CHART



3D VIEW (1:1)



NOTE: SUFFIX "B" IN THE PART No INDICATES BULK PACK.

UNLESS OTHERWISE SPECIFIED TOLERANCE TO BE:		THIS DOCUMENT IS THE PROPERTY OF AMPHENOL AUSTRALIA PTY. LTD. NO PART THEREOF MAY BE REPRODUCED AND USED WITHOUT THE PRIOR WRITTEN CONSENT OF THE OWNER			
LINEAR	ANGULAR	CAD FILE	DRN:	DATE:	
X ±	X° ± 1'	55010498000221	T.N	17/04/07	
X.X ±	X.X° ± 30'	MATL:	P.M	DATE:	07/04/09
X.XX ±	X.XX° ± 15'	FINISH:	P.M	DATE:	07/04/09
DO NOT SCALE		SCALE: 3:2		PART No: AC3FBVL3-AU-B	
DIMENSIONS IN MILLIMETRES		THIRD ANGLE PROJECTION		SIZE: A4	

REV	DESCRIPTION	DATE	BY	CHG NO
2	ADD SUFFIX B TO PART No.	27/08/15	T.N	9318
1	UPDATE FEMALE SHELL	2/4/2009	A.O	8793
0	FIRST ISSUE	18/09/07	T.N	8686

TITLE:		Amphenol Australia Pty.Ltd. 2 Fiveways Blvd. Keysborough, Vic3173	
XLR FEMALE B TYPE CONNECTOR		DRAWING NO. 55010498-000-2	
CUSTOMER DWG		SHEET 2/2	