

### End Cap Terminals

#### Large Size Single Face

**Material:**

Unplated copper

**Related Product Data:**

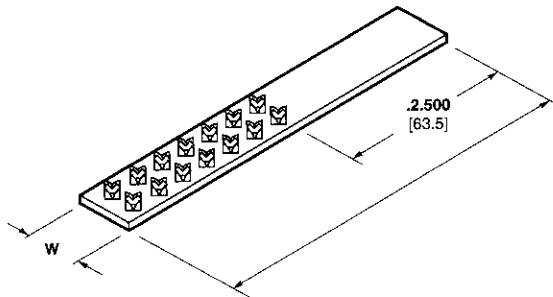
**Application Tooling** — page 9

**Technical Documents** — page 1

**Tooling:**

Power Unit\* with Head **69099** and Die **69479-1**

\*Refer to page 9 for specifications accessories.



Aluminum Foil Thickness Range Max.	Terminal CMA at C-C	Dimensions		Part Number
		W	L	
.080 2.03	178,220	2.000 50.8	6.000 152.4	50854
.080 2.03	89,110	1.000 25.4	6.000 152.4	50855

#### Large Size Double Face

**Related Product Data:**

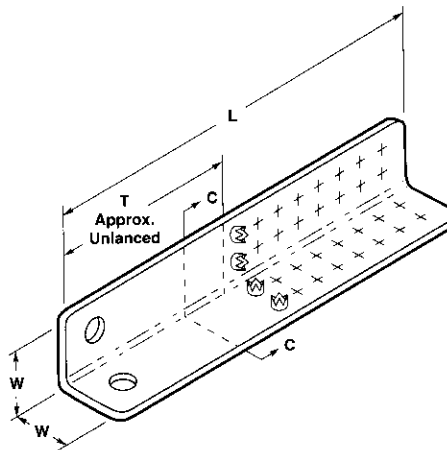
**Application Tooling** — page 9

**Technical Documents** — page 1

**Tooling:**

Power Unit\* with Head **69099** and Die **69479-1**

\*Refer to page 9 for specifications accessories.



Nomo-graph Terminal Size*	Aluminum Foil Thickness Max**	Terminal CMA at C-C	Stud Size	Material and Finish	Dimensions			Part Numbers	
					W	L	T	With Stud Hole	Without Stud Hole
1	.020 0.51	45,828	5/16 M6	Tin-Plated Copper	1.000	6.000	3.000	329488	—
					25.4	152.4	76.2		
2	.035 0.89	77,653	3/8	Tin-Plated Copper	1.000	9.000	3.000	2-329489-1	—
					25.4	228.6	76.2		
2	.035 0.89	77,653	3/8	Unplated Copper	1.000	6.000	3.000	—	3-329489-7***
					25.4	152.4	76.2		
3	.045 1.14	143,212	7/16	Tin-Plated Copper	1.250	6.000	3.000	329490	—
					31.75	152.4	76.2		
					1.250	9.000	3.000		
31.75	228.6	76.2							
4	.060 1.52	217,683	1/2 M12	Tin-Plated Copper	1.500	12.000	3.000	2-329491-2	—
					38.1	304.8	76.2		
					1.500	15.000	3.000		
38.1	381	76.2							

\*See nomograph on page 8.

\*\*Maximum aluminum foil thickness for lance penetration.

\*\*\*Unplated at "T" dimension.