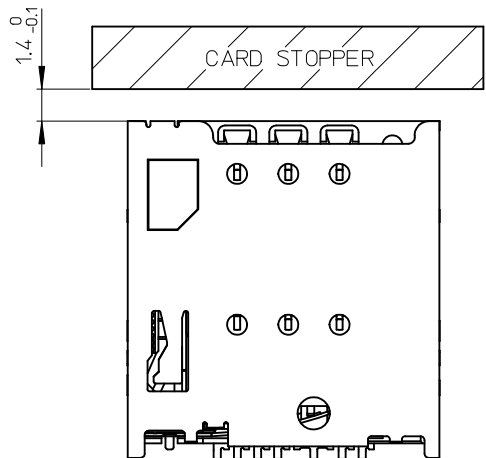


番号 NO.	名称 NAME	材料 MATERIAL	仕上げ(めっき) FINISHES (PLATING)
①	ハウジング HOUSING	液晶ポリマー(LCP)、ガラス充填、UL94 V-0、黒 LIQUID CRYSTAL POLYMER (LCP), GLASS FILLED, UL94 V-0, BLACK	
②	スライダー SLIDER	ステンレス鋼 STAINLESS STEEL	
③	ターミナル TERMINAL	燐青銅 PHOSPHOR BRONZE	接触部: 金めっき(0.5µmMIN.) 基板実装部: 金めっき 下地: ニッケルめっき(1.0µmMIN.) CONTACT AREA: GOLD PLATING (0.5 MICROMETER MINIMUM) SOLDER TAIL AREA: GOLD PLATING UNDERPLATE: NICKEL OVERALL (1.0 MICROMETER MINIMUM)
④	シェル SHELL	銅合金 COPPER ALLOY	
⑤	スプリング SPRING	ピアノ線 SWP	全面: ニッケルめっき NICKEL OVERALL
⑥	ピン PIN	ステンレス鋼 STAINLESS STEEL	
⑦	ディテクト レバー DETECT LEVER	燐青銅 PHOSPHOR BRONZE	接触部: 金めっき(0.2µmMIN.) 基板実装部: 金めっき 下地: ニッケルめっき(1.0µmMIN.) CONTACT AREA: GOLD PLATING (0.2 MICROMETER MINIMUM) SOLDER TAIL AREA: GOLD PLATING UNDERPLATE: NICKEL OVERALL (1.0 MICROMETER MINIMUM)
⑧	ディテクト スイッチ DETECT SWITCH	燐青銅 PHOSPHOR BRONZE	接触部: 金めっき(0.2µmMIN.) 基板実装部: 金めっき 下地: ニッケルめっき(1.0µmMIN.) CONTACT AREA: GOLD PLATING (0.2 MICROMETER MINIMUM) SOLDER TAIL AREA: GOLD PLATING UNDERPLATE: NICKEL OVERALL (1.0 MICROMETER MINIMUM)

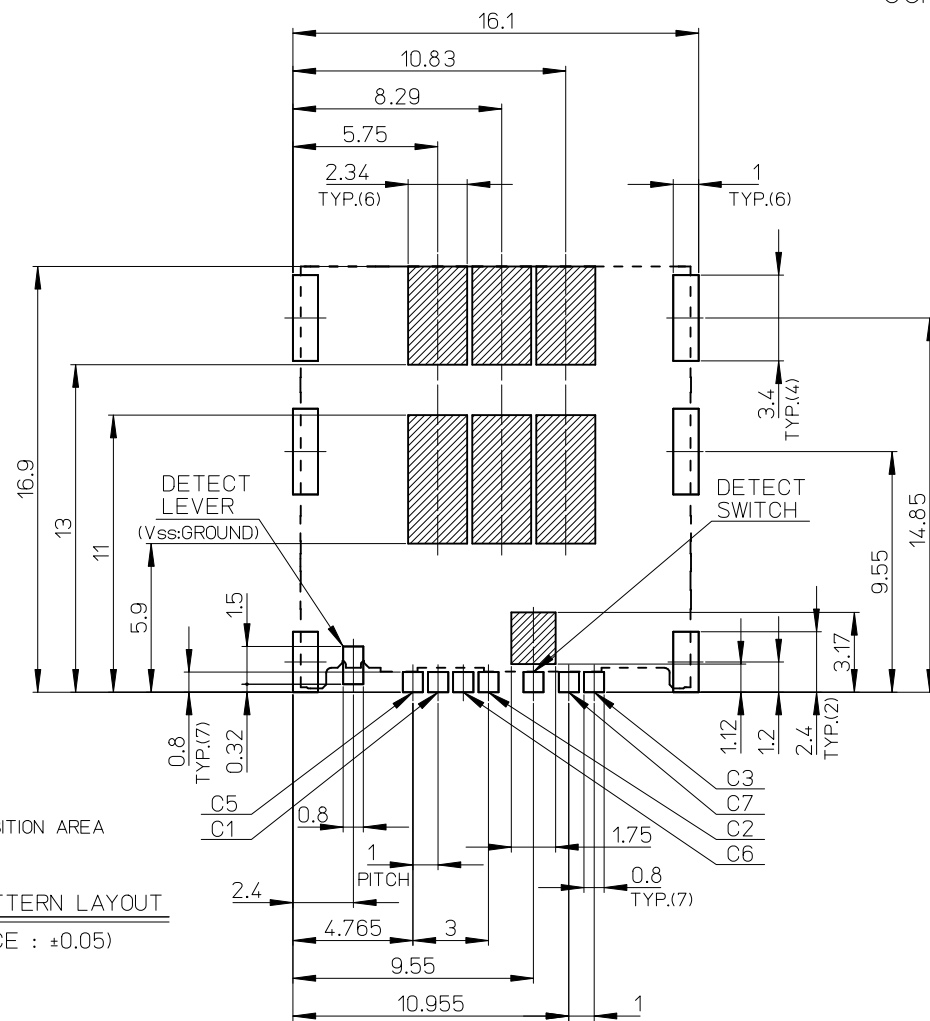
- NOTES**
- ターミナル及びネイルの平坦度は 0.08 MAX.
(測定用定板面を基準)
TERMINAL AND NAIL COPLANARITY TO BE 0.08 MAX.(FROM GAUGE PLANE)
 - △ スタンドオフ寸法
STAND OFF DIMENSION
本寸法はコネクタ全高に含まれます。
STAND OFF DIMENSION IS INCLUDED IN THE CONNECTOR TOTAL HEIGHT.
 - パターン禁止エリア PATTERN PROHIBITION AREA
 - カード検知スイッチ DETECT SWITCH
- | | |
|--------------------------------|------------|
| カード挿入時 CARD INSERTING POSITION | オープン OPEN |
| カード未挿入時 NO CARD | クローズ CLOSE |
- 肉抜き位置は任意とする。CAVITY IS TO BE OPTIONAL.
 - ロット印字は任意とする。LOT NUMBERING IS TO BE OPTIONAL.
 - ELV及びRoHS 適合品 ELV AND RoHS COMPLIANT.
 - 括弧寸法は、参考値となります。(Dimension) : REFERENCE VALUE

503960-0693	6
EMBOSSED PACKAGE	極数
オーダー番号 ORDER NO.	CIRCUITS
CONNECTOR SERIES No. 503960-****	

REVISED EC NO: J2012-1080 DRWN:MTAKASAKI 2012/02/14 CHKD:KASAKAWA 2012/02/14 APPR:Y01TO 2012/02/14	GENERAL TOLERANCES (UNLESS SPECIFIED)	DIMENSION STYLE MM ONLY	SCALE 1:1	DESIGN UNITS METRIC	THIRD ANGLE PROJECTION
	10 UNDER ±0.2	DRAWN BY YGOTO	DATE 2011/12/15	TITLE MICRO SIM CARD CONN. PUSH/PUSH NORMAL TYPE ASS'Y	
	10 OVER 30 UNDER ±0.25	CHECKED BY KASAKAWA	DATE 2011/12/15	MOLEX INCORPORATED	
	30 OVER ±0.3	APPROVED BY Y01TO	DATE 2012/02/06	MATERIAL NO. SEE CHART	DOCUMENT NO. SD-503960-003
ANGULAR ±1 °	DRAFT WHERE APPLICABLE MUST REMAIN WITHIN DIMENSIONS		THIS DRAWING CONTAINS INFORMATION THAT IS PROPRIETARY TO MOLEX INCORPORATED AND SHOULD NOT BE USED WITHOUT WRITTEN PERMISSION		



RECOMMENDED CARD STOPPER POSITION



パターン禁止エリア
PATTERN PROHIBITION AREA

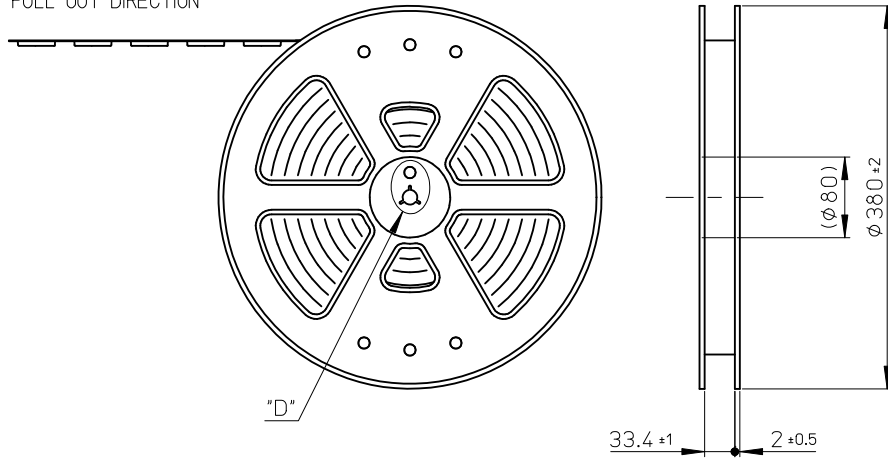
RECOMMENDED PCB PATTERN LAYOUT
(GENERAL TOLERANCE : ±0.05)

REVISED EC NO: J2012-1080 DRWN:MTAKASAKI 2012/02/14 CHKD:KASAKAWA 2012/02/14 APPR:YO ITO 2012/02/14 REV A	GENERAL TOLERANCES (UNLESS SPECIFIED)		DIMENSION STYLE MM ONLY		SCALE 1:1	DESIGN UNITS METRIC	THIRD ANGLE PROJECTION	
	10 UNDER	±0.2	DRAWN BY	DATE	TITLE			
	10 OVER 30 UNDER	±0.25	YGOTO	2011/12/15	MICRO SIM CARD CONN. PUSH/PUSH NORMAL TYPE ASS'Y			
	30 OVER	±0.3	CHECKED BY	DATE				
ANGULAR ±1 °		APPROVED BY YO ITO	DATE 2012/02/06	MOLEX INCORPORATED		SHEET NO. 2 OF 2		
DRAFT WHERE APPLICABLE MUST REMAIN WITHIN DIMENSIONS		MATERIAL NO. SEE CHART		DOCUMENT NO. SD-503960-003		THIS DRAWING CONTAINS INFORMATION THAT IS PROPRIETARY TO MOLEX INCORPORATED AND SHOULD NOT BE USED WITHOUT WRITTEN PERMISSION		

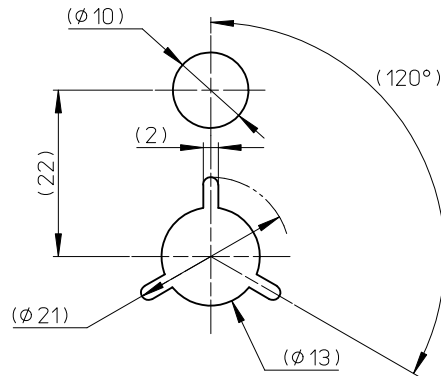
NOTES

- 製品詳細寸法については、SD 図面を参照下さい。
RE DETAILED DIMENSION, SEE SALES DRAWING.
- 梱包数量：1600 個／リール
NUMBER OF CONNECTORS：1600 PCS/REEL.
- リードテープ長さ LEAD TAPE LENGTH.

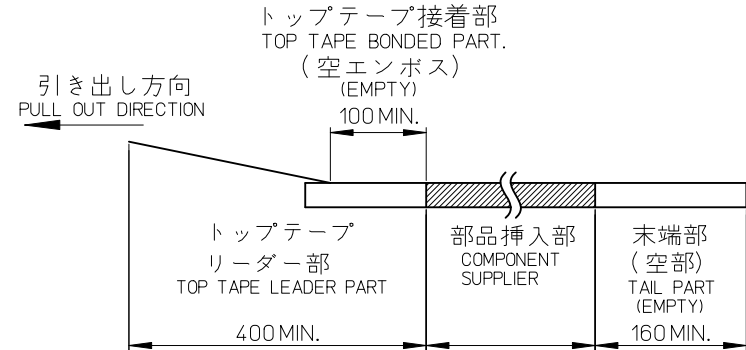
引き出し方向
PULL OUT DIRECTION



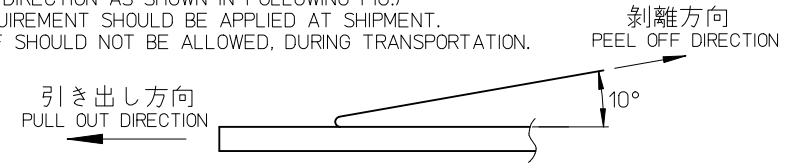
"D"



DETAIL "D"



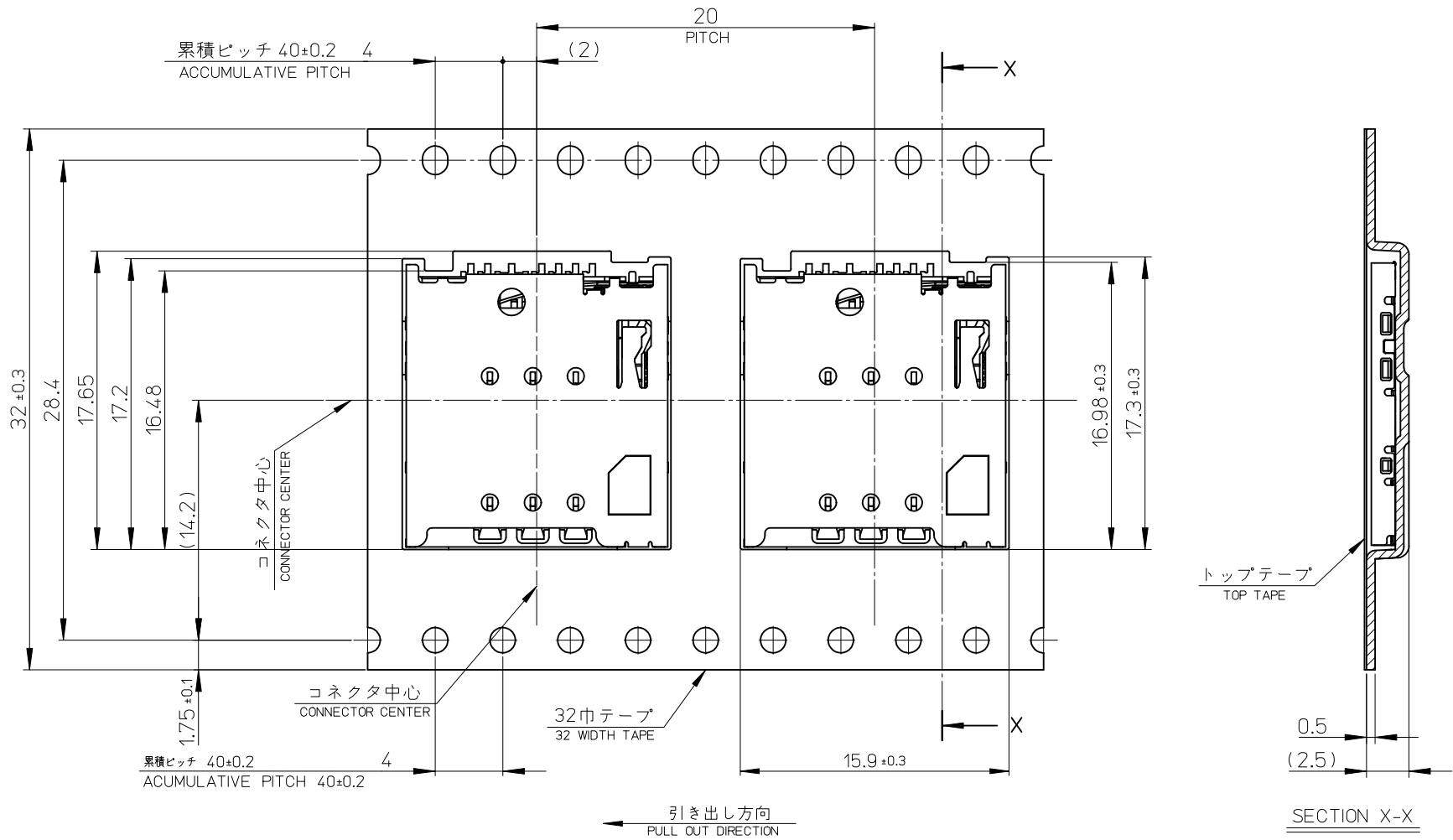
- トップテープの剥離強度：JIS C0806-3に準拠(剥離方向は下図参照)尚、本規格値は出荷時に適用。(但し、輸送時に剥離が発生しないこと。)
PEELING OFF FORCE OF TOP TAPE：BASED UPON JIS C0806-3 (PEELING DIRECTION AS SHOWN IN FOLLOWING FIG.) THIS REQUIREMENT SHOULD BE APPLIED AT SHIPMENT. PEEL OFF SHOULD NOT BE ALLOWED, DURING TRANSPORTATION.



- 材料 MATERIAL
キャリアテープ (CARRIER TAPE)：ポリスチレン (POLYSTYRENE)
トップテープ (TOP TAPE)：PET, PE, PEF
リール (REEL)：ポリスチレン (PS) <リサイクル材含む>
POLYSTYRENE (PS) <RECYCLE MATERIAL CONTAINED>

503960-0693	6
EMBOSSED PACKAGE	極数
オーダー番号 ORDER NO.	CIRCUITS
CONNECTOR SERIES No. 503960-****	

REVISED EC NO: J2012-1080 DRWN: TAKASAKI 2012/02/14 CHKD: KASAKAWA 2012/02/14 APPR: YOITO 2012/02/14	DESCRIPTION REV	GENERAL TOLERANCES (UNLESS SPECIFIED)		DIMENSION STYLE MM ONLY		SCALE 1:1	DESIGN UNITS METRIC	THIRD ANGLE PROJECTION		
		10 UNDER	±0.2	DRAWN BY YGOTO	DATE 2011/12/15	TITLE MICRO SIM CARD CONN. PUSH/PUSH NORMAL TYPE EMBOSSED TAPE PACKAGE				
		10 OVER 30 UNDER	±0.25	CHECKED BY KASAKAWA	DATE 2011/12/15	MOLEX INCORPORATED				
		30 OVER	±0.3	APPROVED BY YOITO	DATE 2012/02/06	DOCUMENT NO. SD-503960-004				
ANGULAR ±1 °		DRAFT WHERE APPLICABLE MUST REMAIN WITHIN DIMENSIONS		MATERIAL NO. SEE CHART		SHEET NO. 1 OF 2		THIS DRAWING CONTAINS INFORMATION THAT IS PROPRIETARY TO MOLEX INCORPORATED AND SHOULD NOT BE USED WITHOUT WRITTEN PERMISSION		



REVISED EC NO: J2012-1080 DRWN:MTAKASAKI 2012/02/14 CHKD:KASAKAWA 2012/02/14 APPR:YOITO 2012/02/14	DESCRIPTION REV	GENERAL TOLERANCES (UNLESS SPECIFIED)		DIMENSION STYLE MM ONLY		SCALE 1:1	DESIGN UNITS METRIC	THIRD ANGLE PROJECTION		
		10 UNDER	±0.2	DRAWN BY YGOTO	DATE 2011/12/15	TITLE MICRO SIM CARD CONN. PUSH/PUSH NORMAL TYPE EMBOSSD TAPE PACKAGE				
		10 OVER 30 UNDER	±0.25	CHECKED BY KASAKAWA	DATE 2011/12/15	MOLEX INCORPORATED				
		30 OVER	±0.3	APPROVED BY YOITO	DATE 2012/02/06	MATERIAL NO. SEE CHART	DOCUMENT NO. SD-503960-004	SHEET NO. 2 OF 2		
ANGULAR ±1 ° DRAFT WHERE APPLICABLE MUST REMAIN WITHIN DIMENSIONS		THIS DRAWING CONTAINS INFORMATION THAT IS PROPRIETARY TO MOLEX INCORPORATED AND SHOULD NOT BE USED WITHOUT WRITTEN PERMISSION								