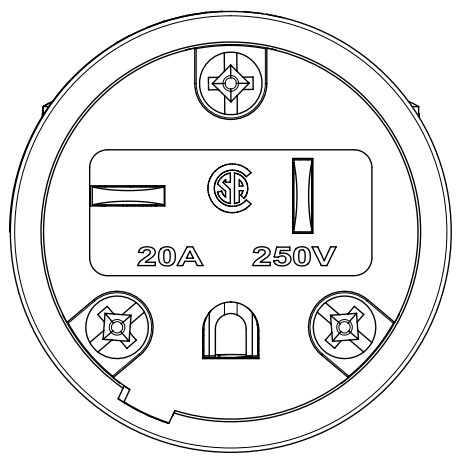
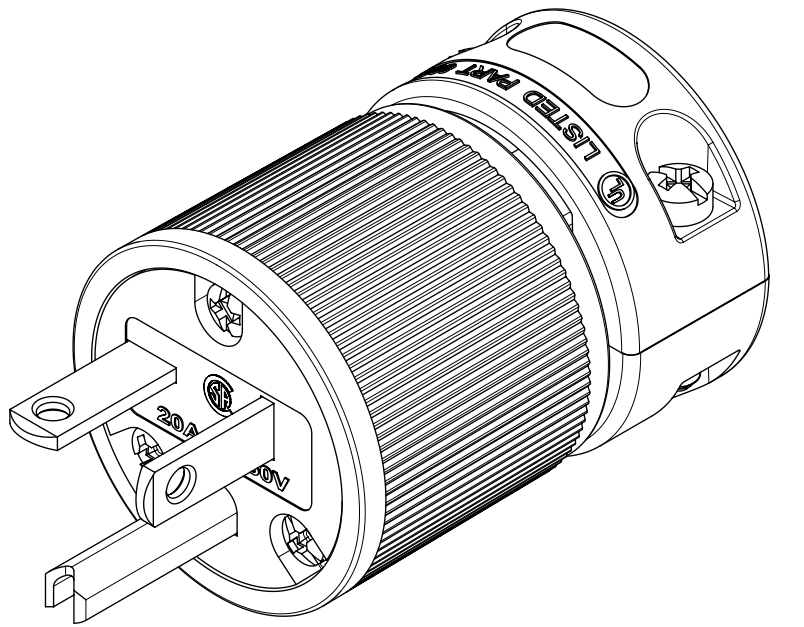
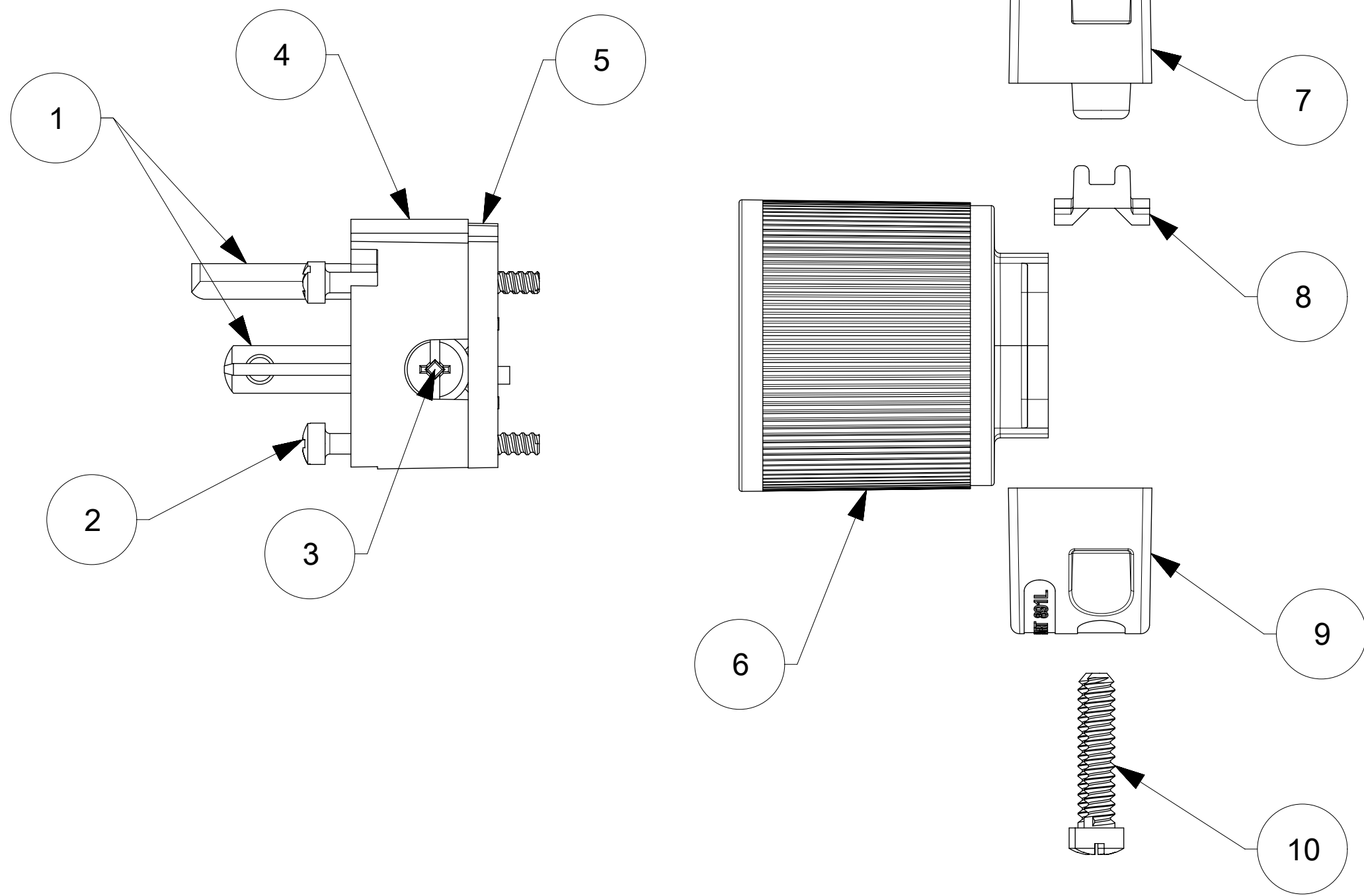
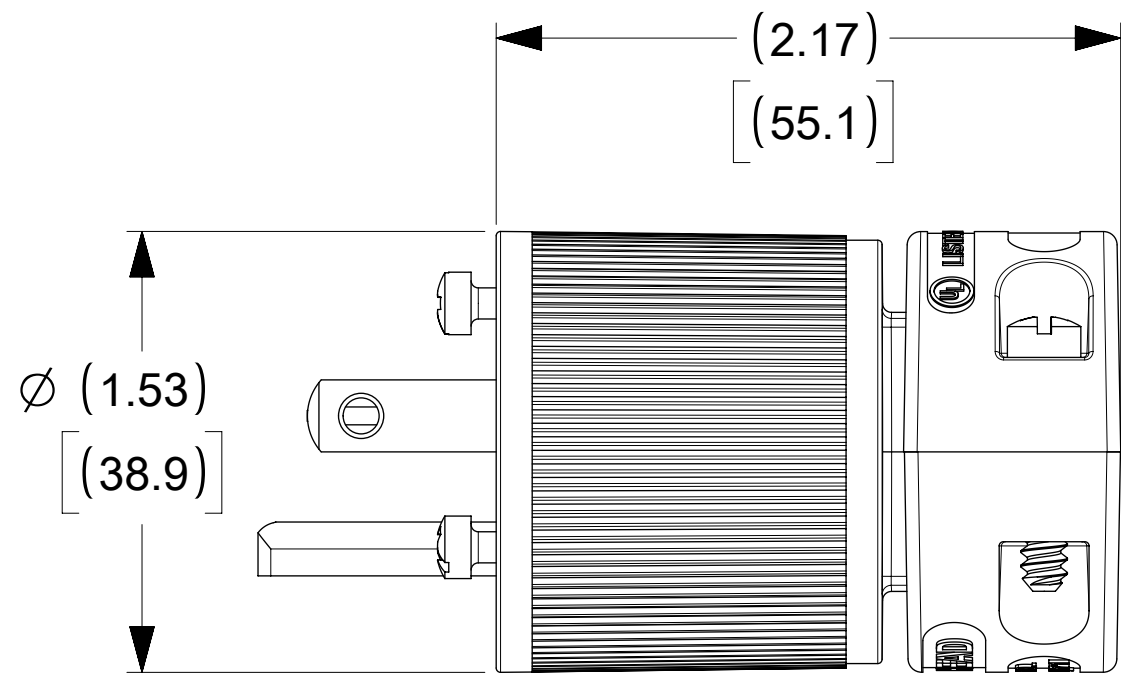


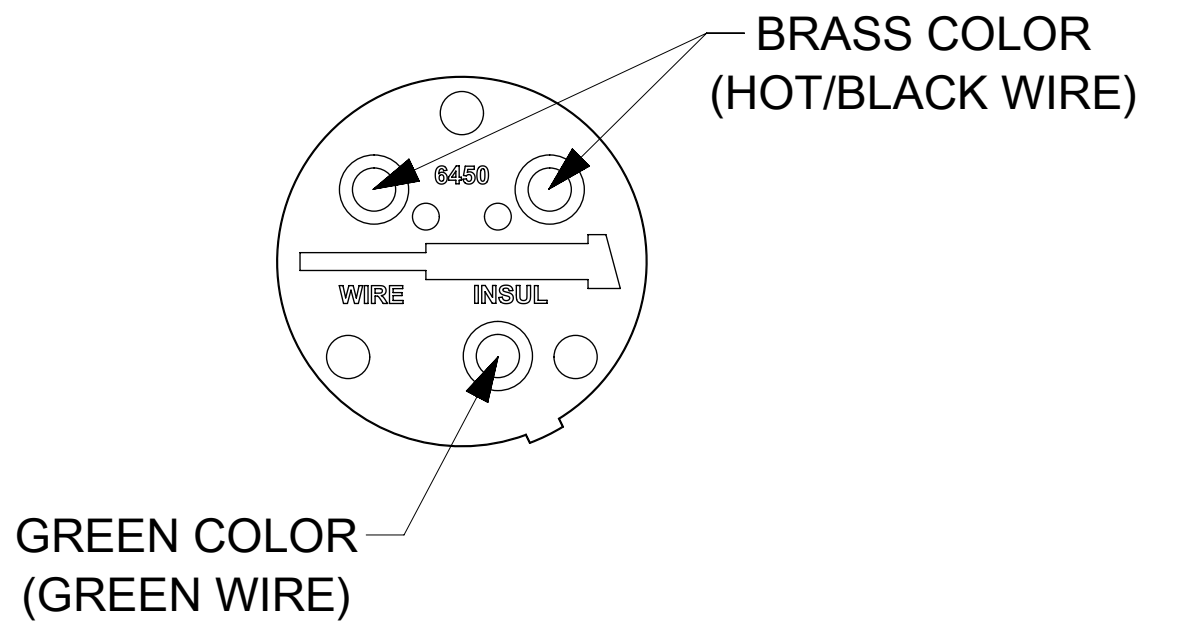
ORDER NO.	WOODHEAD NO.	COLOR
130144-0061	5466	BLACK
130144-0062	5466YL	YELLOW



FACE VIEW



WIRING TERMINATION



ITEM NO.	DESCRIPTIONS	MATERIAL	QTY.
1	BLADES	BRASS	3
2	RETAINING SCREWS	STAINLESS STEEL	3
3	TERMINAL SCREWS/CLAMP ASSEMBLY	BRASS, ZINC PLATED	3
4	INSERT	NYLON	1
5	TERMINAL COVER	POLYCARBONATE	1
6	HOUSING	NYLON	1
7	CLAMP CORD MALE	NYLON	1
8	CLAMP CORD INSERT	NYLON	1
9	CLAMP CORD FEMALE	NYLON	1
10	RETAINING SCREWS	STEEL, ZINC PLATED	2

SYMBOLS DIMENSION UNITS: INCH NTS SCALE: NTS CURRENT REV DESC: NEW RELEASE											
GENERAL TOLERANCES (UNLESS SPECIFIED) 4 PLACES ± 3 PLACES ± 2 PLACES ± 1 PLACE ± 0 PLACES ±											
EC NO: 621092 DRWN: VBASUTHKARP 2019/02/06 CHK'D: DNGUYEN62 2019/10/30 APPR: HKNEELAND 2020/02/05				SAFEWAY PLUG 2P3W 6-20							
INITIAL REVISION: DRWN: VBASUTHKARP 2019/02/06 APPR: HKNEELAND 2020/02/05				PRODUCT CUSTOMER DRAWING							
DRAFT WHERE APPLICABLE MUST REMAIN WITHIN DIMENSIONS				THIRD ANGLE PROJECTION		DRAWING SERIES: C-SIZE 130144		DOCUMENT NUMBER: 1301440061		DOC TYPE: PSD DOC PART: 000 REVISION: A	
MATERIAL NUMBER: SEE TABLE				CUSTOMER: GENERAL MARKET				SHEET NUMBER: 1 OF 1			