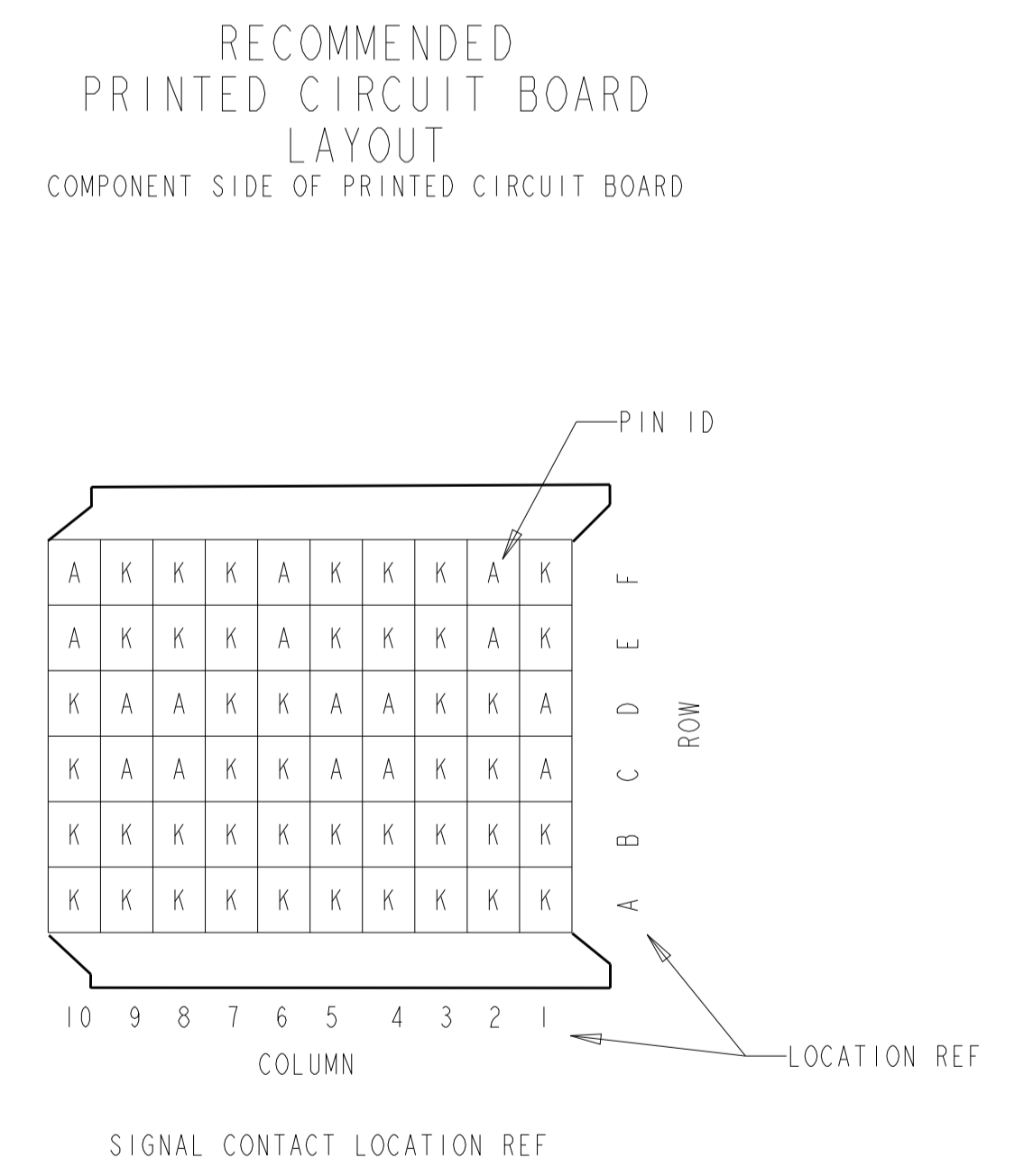
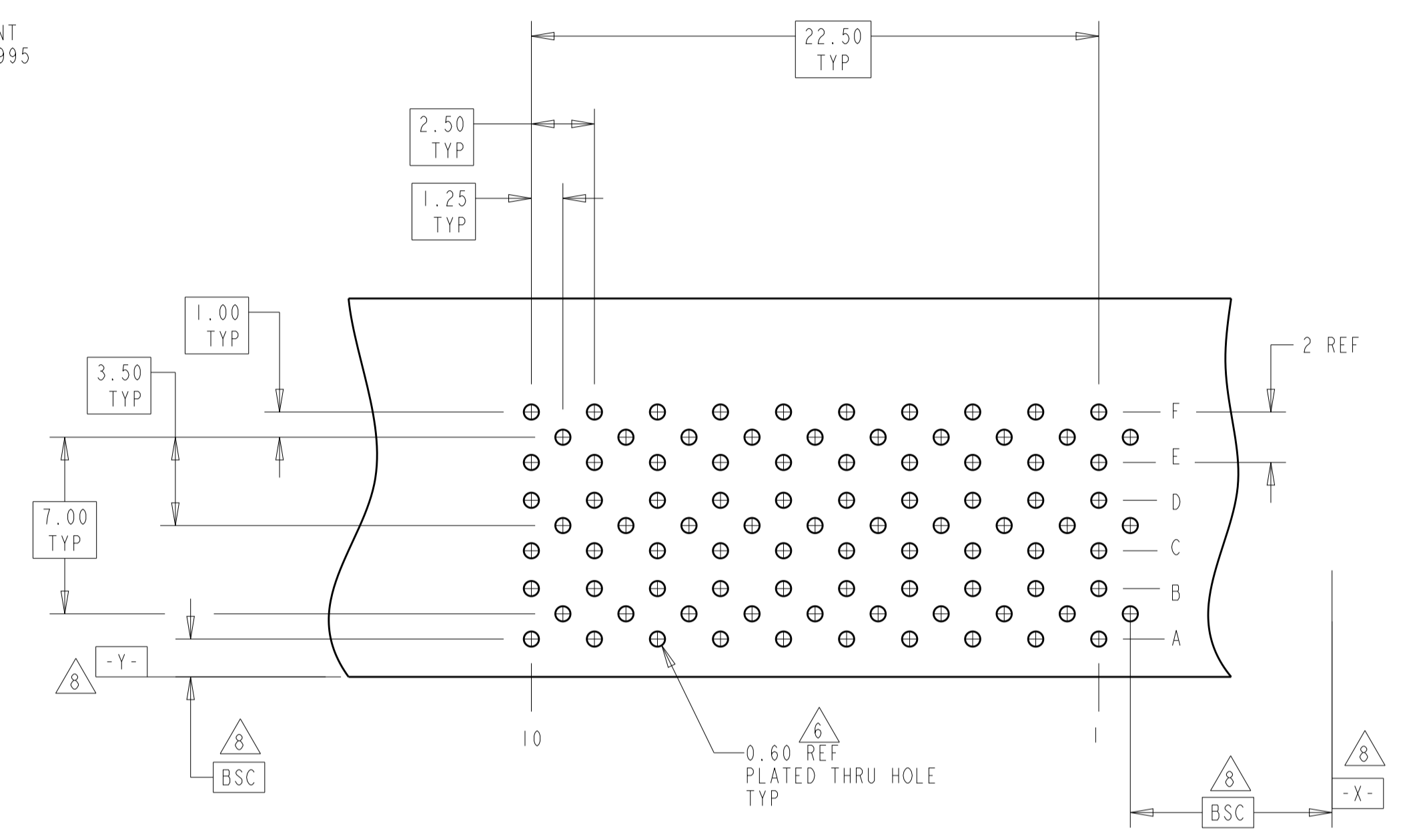
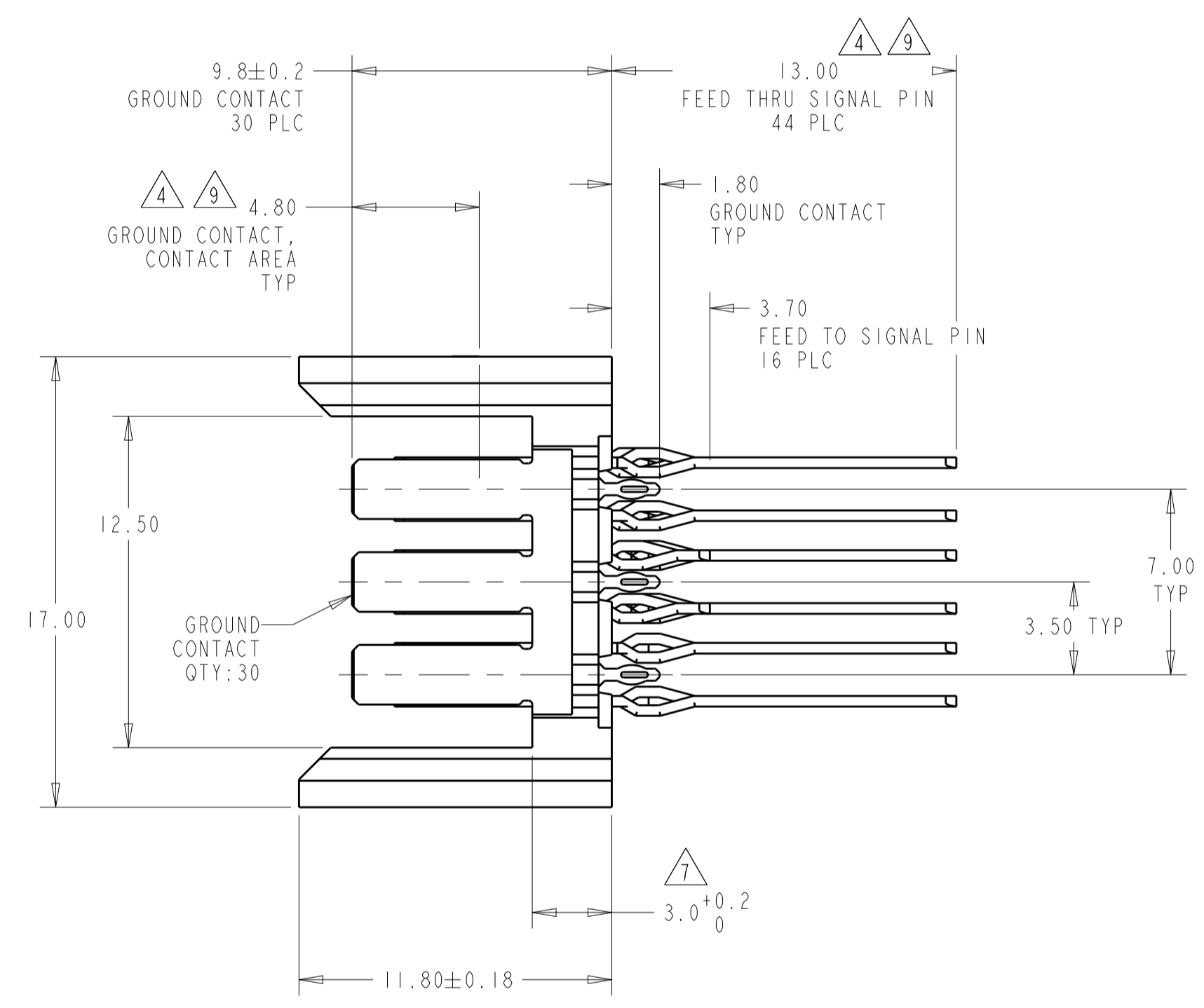
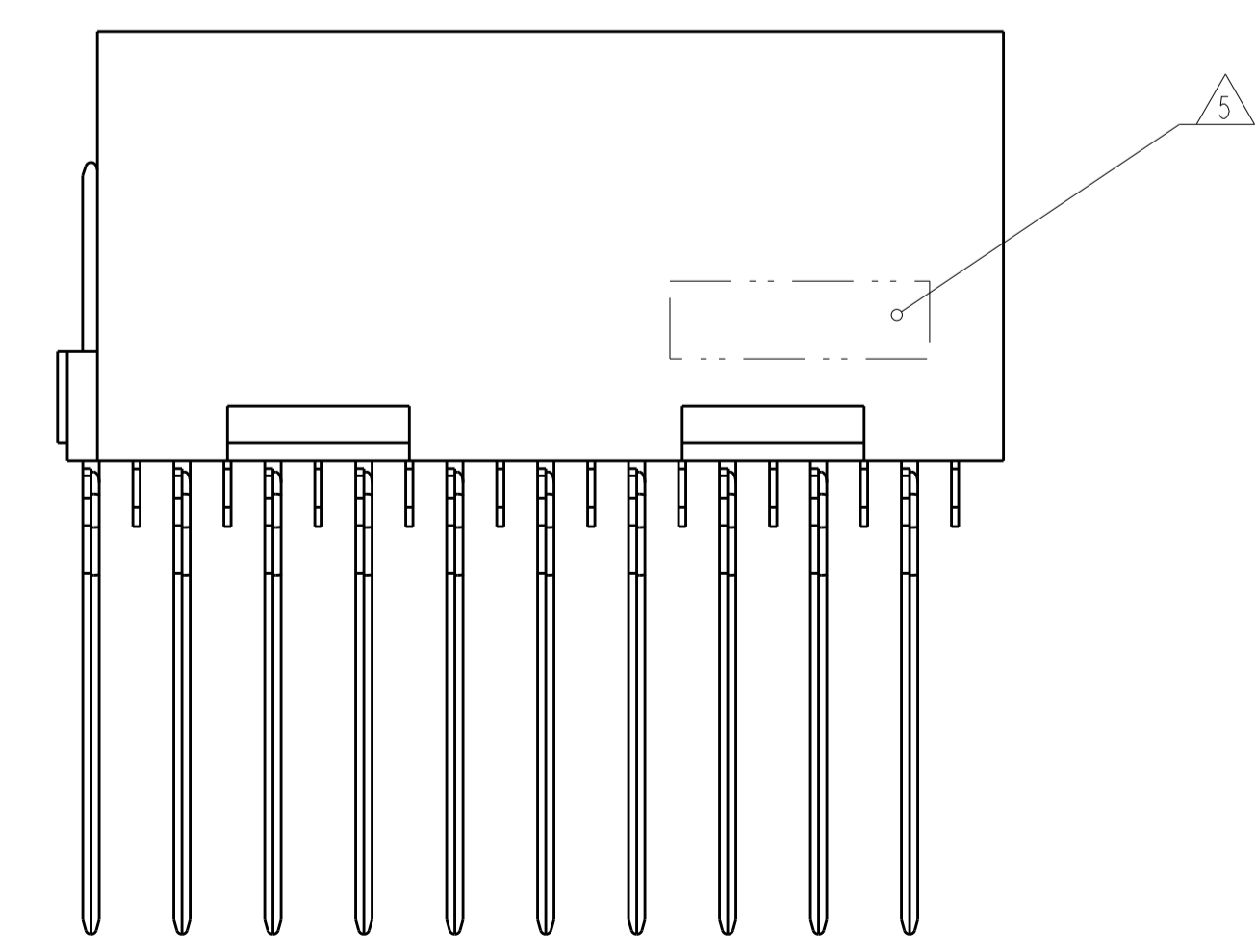
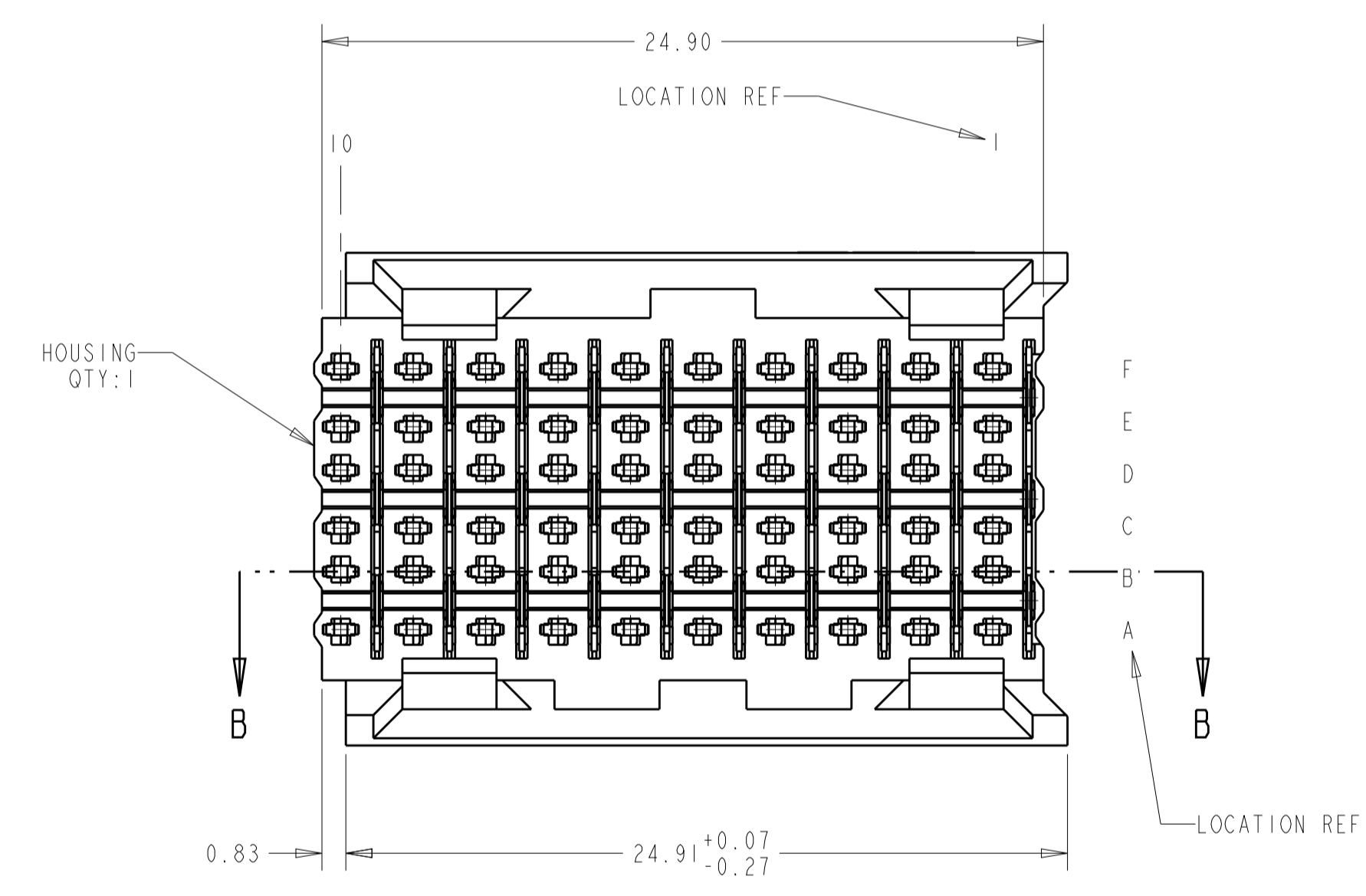
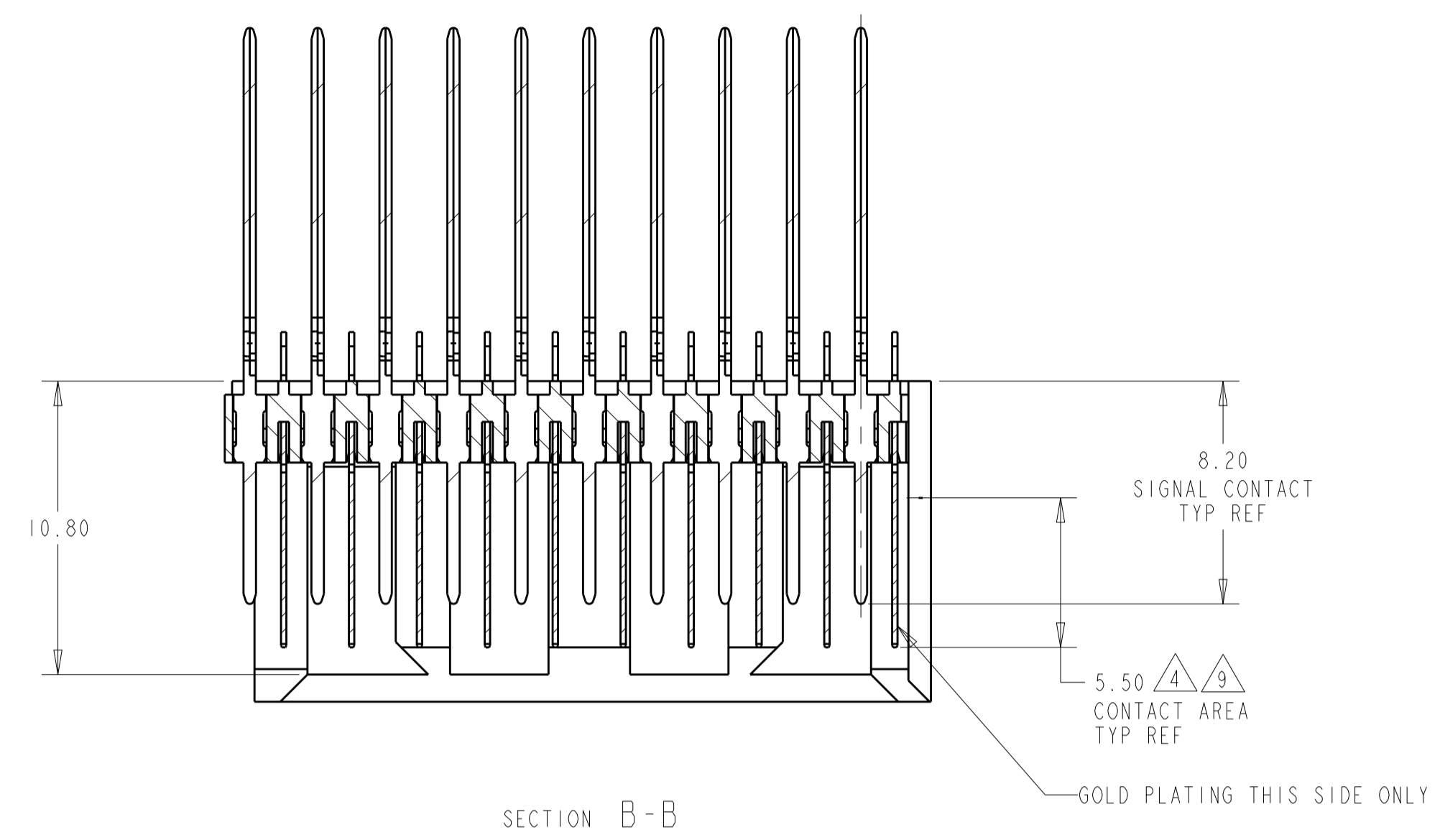


LOC		DIST		REVISIONS			
REV	DATE	BY	APP'D	DESCRIPTION	DATE	OWN	APP'D
A	24SEP2012			RELEASED			JE

- 2 PHOSPHOR BRONZE
- 3 LCP, UL94V-0
- 4 FINISH:  
CONTACT MATING AREA MEETS THE PERFORMANCE REQUIREMENTS OF  
TE CONNECTIVITY PRODUCT SPECIFICATION 108-1957; BASED ON  
TELCORDIA GR-1217-CORE; APPLICATIONS IN UNCONTROLLED ENVIRONMENTS.  
COMPLIANT PIN AREA: 0.5µm MIN MATTE TIN OVER BASE PLATING.
- 5 CONNECTOR MARKED WITH PART NUMBER AND DATE CODE
- 6 REFERENCE APPLICATION SPEC 114-13020 FOR RECOMMENDED  
PLATED THRU HOLE DIAMETER AND PLATING THICKNESS.
- 7 APPLICATION SEATING HEIGHT TO PRINTED CIRCUIT BOARD
- 8 DATUMS AND BASIC DIMENSIONS ESTABLISHED BY CUSTOMER
- 9 CONTACT AREA LUBRICATED WITH BELLCORE APPROVED LUBRICANT  
TECHNICAL REFERENCE: GR-1217-CORE, ISSUE 1, NOVEMBER 1995



6645358-1  
PART NUMBER

THIS DRAWING IS A CONTROLLED DOCUMENT.		OWN: R. IREA 19FEB2007	TE Connectivity NAME: HEADER ASSEMBLY, 60 POSITION, 6 ROW, FEED THROUGH, BACKPLANE CONNECTOR, Z-PACK HS3 SIZE: A1 CAGE CODE: 00779 DRAWING NO: 6645358 SCALE: 5:1 SHEET: 1 OF 1 REV: A
DIMENSIONS: mm		CHK: R. PATTERSON 19FEB2007	
TOLERANCES UNLESS OTHERWISE SPECIFIED:		APP'D: R. PATTERSON 19FEB2007	
0 PLC ± 1 PLC ±0.13 2 PLC ±0.13 3 PLC ±0.05 4 PLC ± ANGLES ± FINISH ±		PRODUCT SPEC: - APPLICATION SPEC: - WEIGHT: -	
MATERIAL: HOUSING: 3		CONTACTS: 2	SIGNAL CONTACT: 4