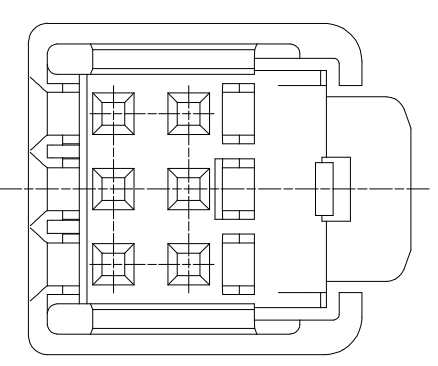
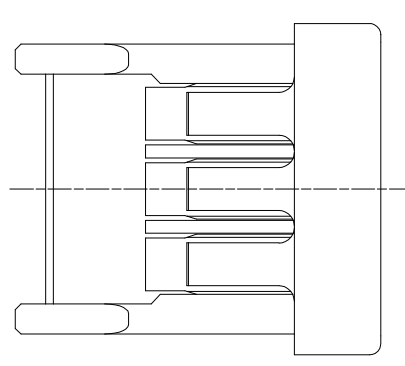
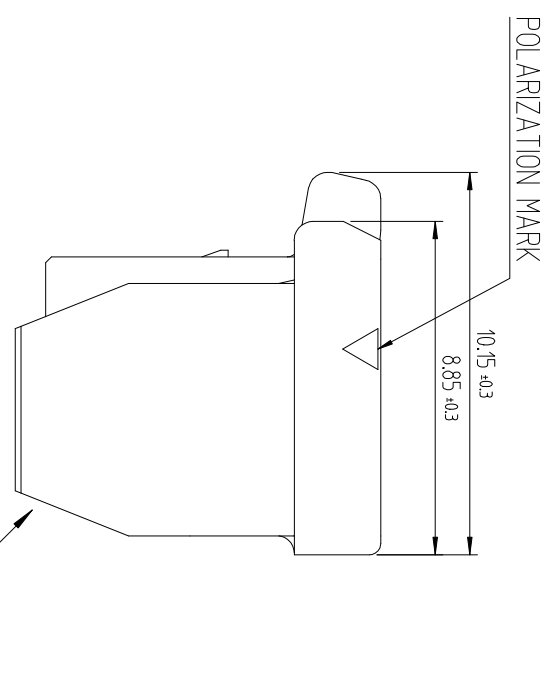
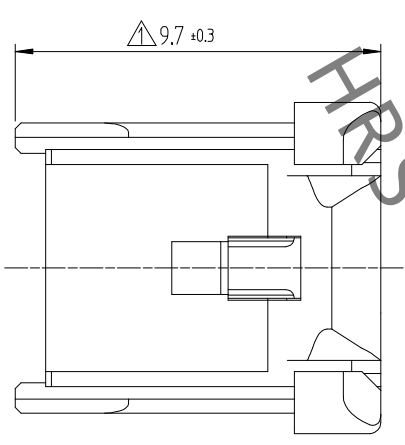
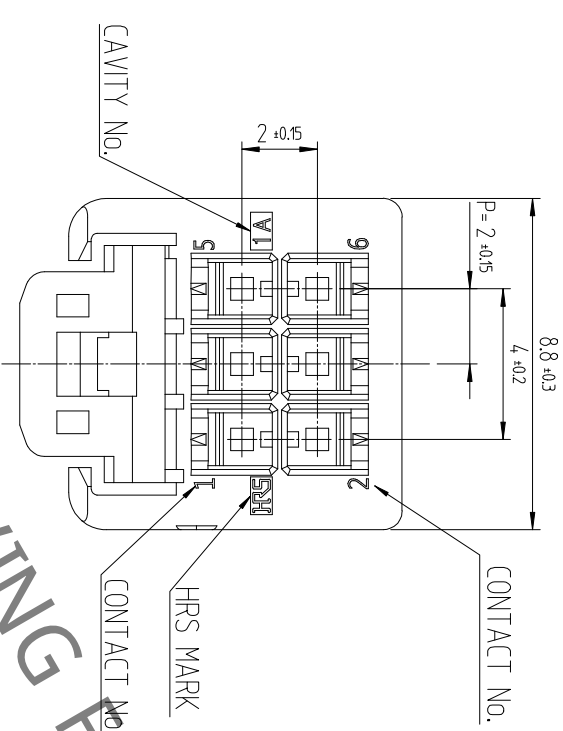


△數 COUNT	訂正事項 DESCRIPTION OF REVISIONS	檢 CHKD	年月日 DATE	△數 COUNT	訂正事項 DESCRIPTION OF REVISIONS	檢 CHKD	年月日 DATE
1	RE-6-1150	K.I.Y	18. 07. 04	△			.. .
2	RE-6-1579	K.I.Y	20. 01. 28	△			.. .



HRS DRAWING FOR REFERENCE

NOTE 1. 1PACK CONTAINS 100PCS.
 △2. UL(IEC) file No. E132750) AUTHORIZATION ARTICLE.
 C-UL(IEC) file No. E132750) AUTHORIZATION ARTICLE.



NO.	MATERIAL	FINISH/REMARKS	NO.	MATERIAL	FINISH/REMARKS
1	PBT	UL94V-0, BLACK	1	PBT	UL94V-0, BLACK

SCALE	DRAWING NO.	PART NO.
5:1	EDC3-632502	DF51K-6DS-2C (800)
UNITS		
mm	HRS HIROSE KOREA CO.,LTD.	CL 6652-0026-2-800

A B C D E F

1 2 3 4 5 6 7 8