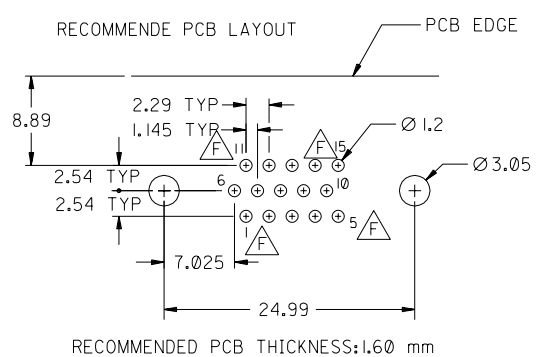
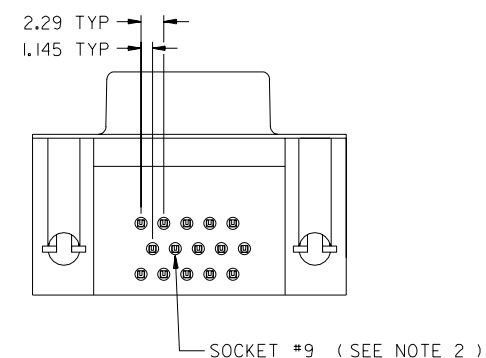
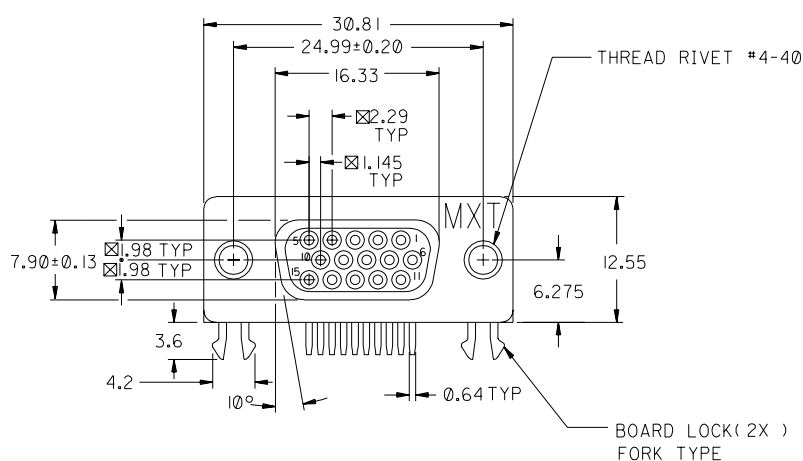
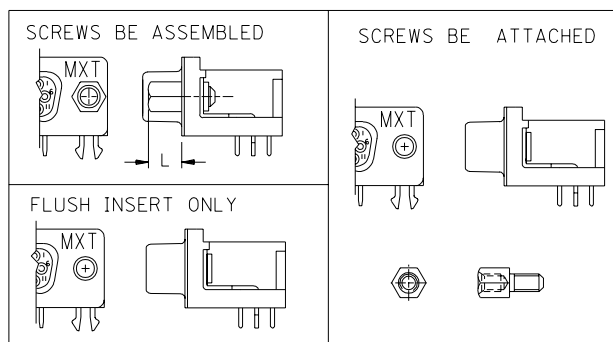
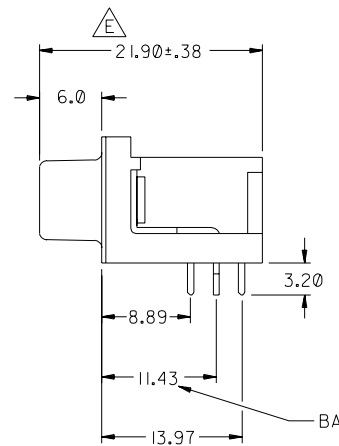


DO NOT SCALE DRAWING  
 CAD FILE : S8926367  
 SIMILAR ITEM  
 EDP NO.  
 ENG. NO  
 SDA-89263-67\*\*



NOTES:  
 1.MATERIALS:  
 INSULATOR - POLYESTER GLASS FIBER FILLED,UL-94V-0,COLOR :ROYAL BLUE  
 CONTACT - PHOSPHOR BRONZE  
 2.SOCKET #9 IS MOVED BACK 1.27MM FOR DDC COMPATIBILITY  
 3.THIS PART CONFORMS TO PRODUCT SPECIFICATION:PS-89263



PART NUMBER LEGEND  
 89263-6 7 \* \*  
 4 : 30 MICROINCH MINIMUM GOLD IN CONTACT AREA  
 NICKEL ALL OVER AND 100 MICROINCH  
 TIN/LEAD ON TAILS  
 5 : 15 MICROINCH MINIMUM GOLD IN CONTACT AREA  
 NICKEL ALL OVER AND 100 MICROINCH  
 TIN/LEAD ON TAILS  
 6 : GOLD FLASH ALL OVER  
 7 : GOLD FLASH IN CONTACT AREA  
 NICKEL ALL OVER AND 100 MICROINCH  
 TIN/LEAD ON TAILS  
 PLATING \*  
 SCREW OPTION \*  
 2: Flush insert only  
 3: 2 pcs #4-40 inner thread screw assembled (L=5mm)  
 4: 2 pcs M2.6 inner thread screw assembled (L=5mm)  
 5: 2 pcs M3 inner thread screw assembled (L=5mm)  
 6: 2 pcs #4-40 inner thread screw attached (L=5mm)  
 7: 2 pcs M2.6 inner thread screw attached (L=5mm)  
 8: 2 pcs M3 inner thread screw attached (L=5mm)  
 9: 2 pcs #4-40 inner thread screw assembled (L=6mm)

F	CORRECT THE PIN ASSIGNMENT	1204-083	TWU	031203	MATERIAL :	SEE NOTES	 <b>MOLEX</b> TAIWAN LTD. SHEET 1 OF 1
E	ADD A SCREW OPTION	T03-011	V. LIN	020717	FINISH :		
D	ADD A PLATING OPTION	T02-227	V. LIN	020401	WIRE RANGE :	GENERAL TOLERANCES ANGLE : ± 3° DIM : ± .25/.010	
C	RELEASE TO MANUFACTURING	T97-381	NEIL	970520	INS. RANGE :	ENG. NO.: SDA-89263-67**	REV F
B	TOOLING COMPLETED	T97-016	NEIL	960807	LTR	REVISION RECORD	DATE
A1	REMOVE THE "X"	T96-179	NEIL	951120	DRAWN BY 941227 R.YANG	CHK'D BY	SCALE 2:1
2	UPDATE TAIL DIM.TA95-050		R.YANG	950216	TITLE : HI-DENSITY ,15 CIRCUIT DDC COMPATIBLE D-SUB		
1	ECN TA94-248,NEW RELEASE		R.YANG	941227	REVISE ONLY ON CAD SYSTEM		