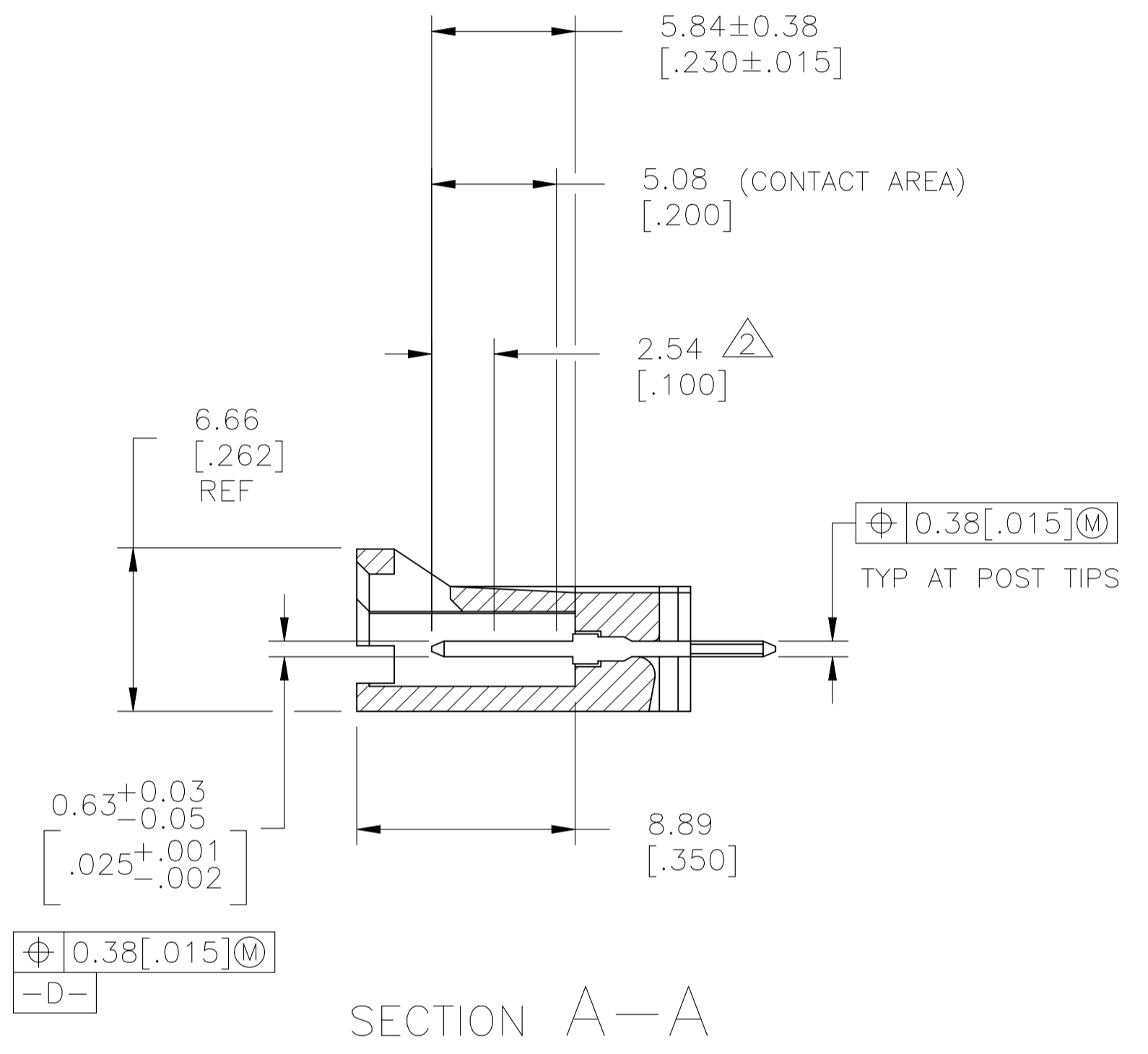
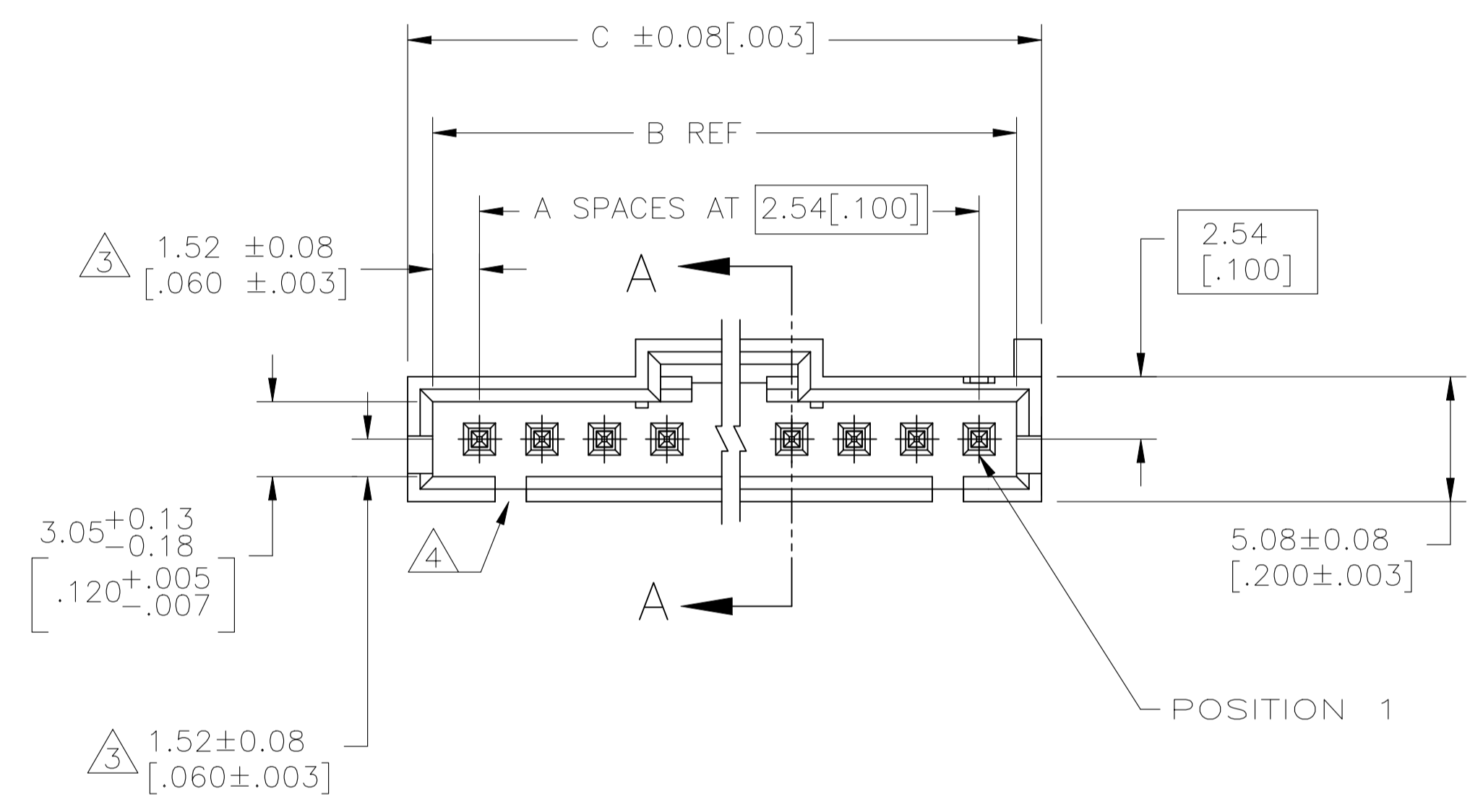
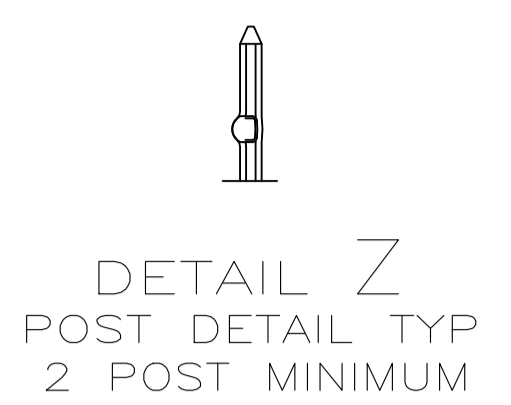
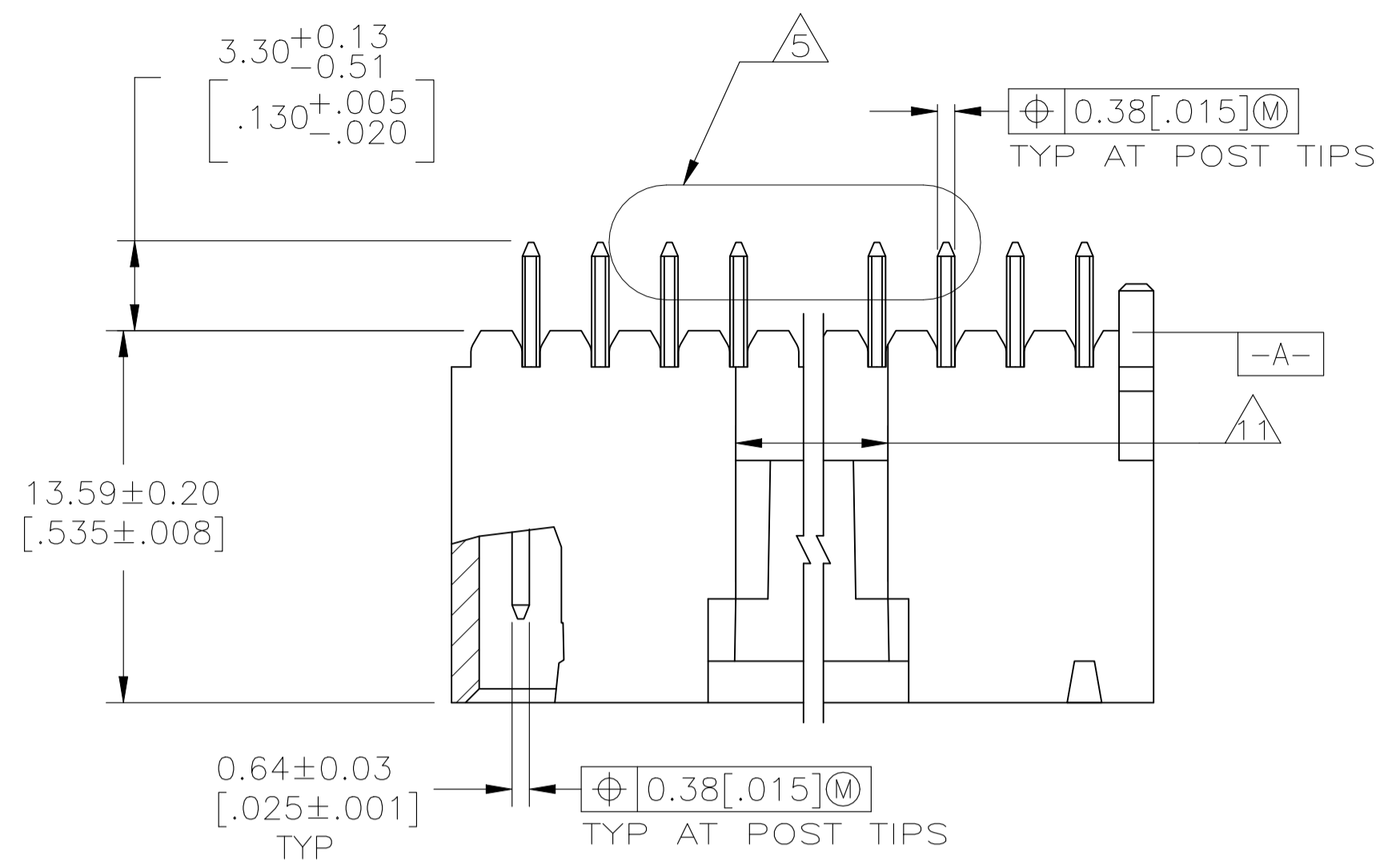
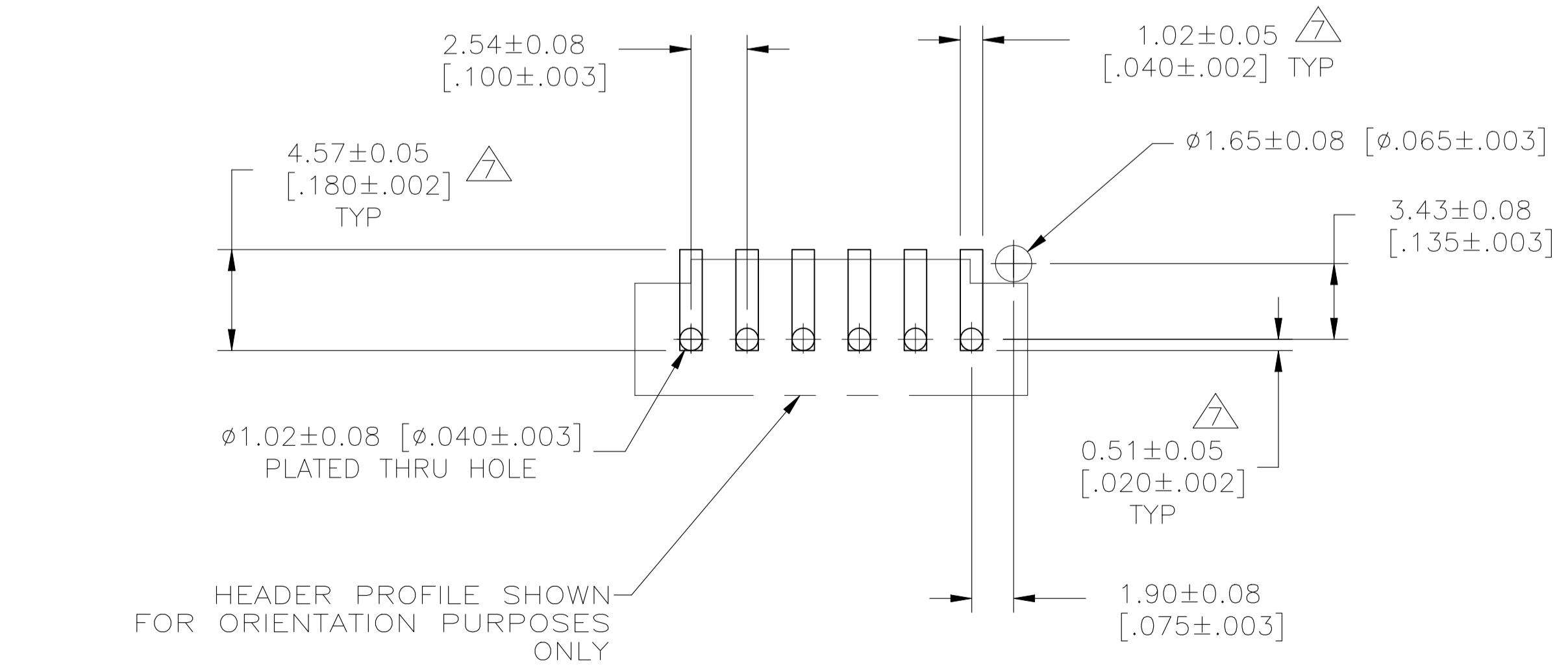


REVISIONS					
REV	DESCRIPTION	DATE	BY	APP'D	
E	REVISED PER ECO-20-001912	03JUN2020	SB	JO	



- 1 FINISH: 0.00254[.000100] BRIGHT TIN OVER 0.00127[.000050] NICKEL.
- 2 POINT OF MEASUREMENT FOR PLATING THICKNESS.
- 3 THE NOTED DIMENSIONS APPLY FROM THE BASIC DIMENSION CENTER LINE (NOT THE POST CENTER LINE) TO THE SURFACE INDICATED.
- 4 ONE POLARIZATION SLOT FOR 2 POSITION ASSEMBLY ONLY.
- 5 SELECT POST TAILS FORMED TO PROVIDE CONNECTOR HOLD DOWN UNTIL SOLDERED, CONFIGURATION ACCEPTS 0.69[.027]-2.03[.080] THICK PRINTED CIRCUIT BOARD. (SEE DETAIL Z).
- 6. PARTS ARE PACKAGED IN GANG OF TUBES.
- 7 DIMENSIONS NOTED ARE FOR SOLDER STENCIL LAYOUT FOR USE WITH 1.58±0.20[.062±.008] THICK PRINTED CIRCUIT BOARDS.
- 8 MATERIAL- HOUSING: LCP, COLOR-BLACK. POSTS: BRASS.
- 9 FINISH: 0.00254[.000100] MATTE TIN OVER 0.00127[.000050] NICKEL.
- 10 OBSOLETE PART NUMBER
- 11 0.25 [.010] RECESS PERMISSIBLE IN THIS AREA FOR MOLD SHUT OFF



RECOMMENDED PC BOARD MOUNTING DIMENSIONS
 RECOMMENDED STENCIL THICKNESS = 0.25[.010]

9	32.89 [1.295]	30.99 [1.220]	11	12	6-147750-1
9	32.89 [1.295]	30.99 [1.220]	11	12	5-147750-1
1	32.89 [1.295]	30.99 [1.220]	11	12	1-147750-1
PLATING	C	B	A	NO. OF POSN	PART NO.

THIS DRAWING IS A CONTROLLED DOCUMENT.		DIN R BROWN 02APR01	TE Connectivity		
DIMENSIONS: mm [INCHES]		CHK K WRIGHT 02APR01			
TOLERANCES UNLESS OTHERWISE SPECIFIED:		APVD K WRIGHT 02APR01	NAME POLARIZED HDR ASSY, AMPMODU MTE, VERTICAL SINGLE ROW, 2.54[.100] CL, 0.64[.025] SQ POSTS, WITH LATCHING WITH SWAGE		
0 PLC ± -		APPLICATION SPEC	SIZE CAGE CODE DRAWING NO		
1 PLC ± -		WEIGHT	A1 00779 C=147750		
2 PLC ± 0.13[.005]		CUSTOMER DRAWING	SCALE 4:1 SHEET 1 of 1 REV E		
3 PLC ± -					
4 PLC ± -					
ANGLES ± -					
FINISH SEE TABLE					