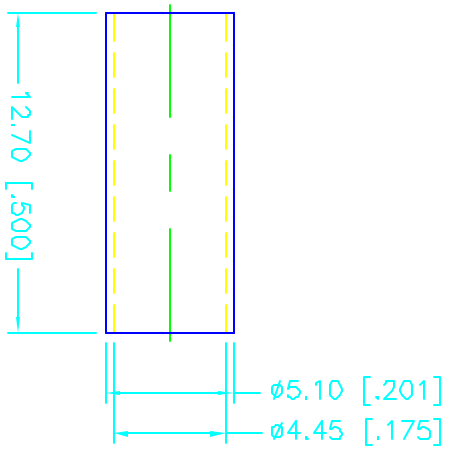
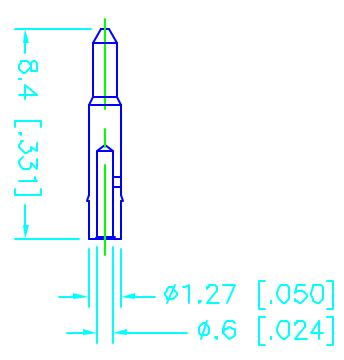
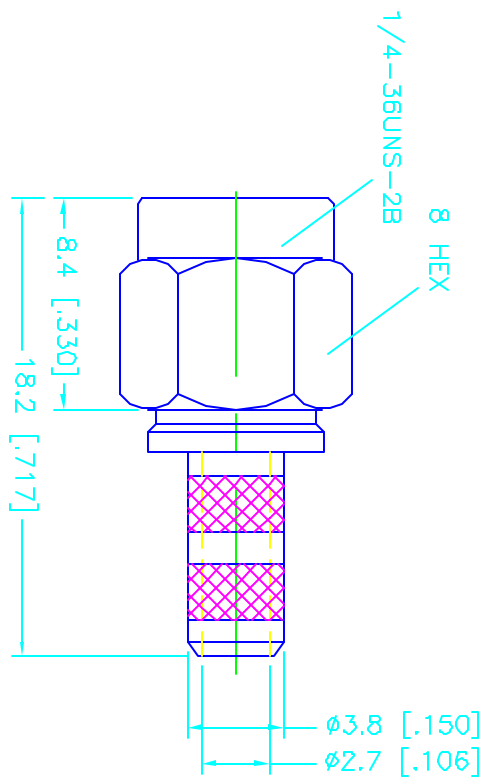
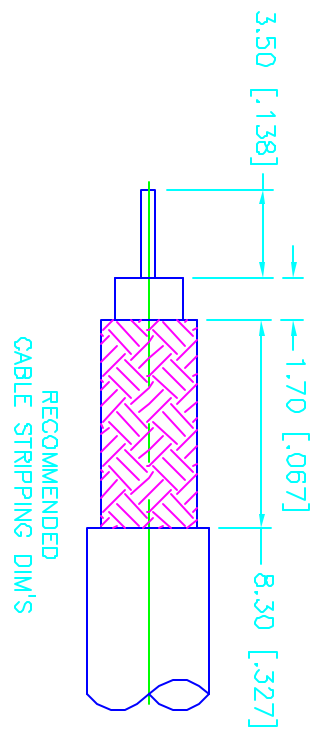


REV.	DATE	DESCRIPTION
NC	08/06/98	INITIAL RELEASE



DESCRIPTION	MATERIAL	FINISH	UNLESS OTHERWISE SPECIFIED DIMENSIONS ARE IN MILLIMETERS FOR CUSTOMER REFERENCE ONLY	APPROVALS	DATE	TITLE	SCALE	PART NO.	SHEET	
1 BODY	BRASS	GOLD	UNLESS OTHERWISE SPECIFIED DIMENSIONS ARE IN MILLIMETERS FOR CUSTOMER REFERENCE ONLY 0.5-6 = ± 0.2 6-30 = ± 0.4 30-120 = ± 0.6 120-315 = ± 1 315-1000 = ± 1.6 1000-2000 = ± 2.4 DO NOT SCALE DRAWING	DRAWN	G.R.S.	08/06/98	comnex Connector Corporation SMA CRIMP PLUG (RG 180, 195 BELDEN 8218)	NA	1 32242	1 OF 1
2 INSULATOR	TEFLON	NATURAL		CHECKED						
3 CONTACT PIN	BRASS	GOLD		ISSUED						
4 FERRULE	COPPER	GOLD								
5										
6										
7										
8										