

NOTES:

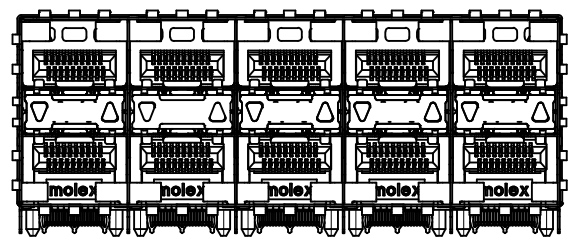
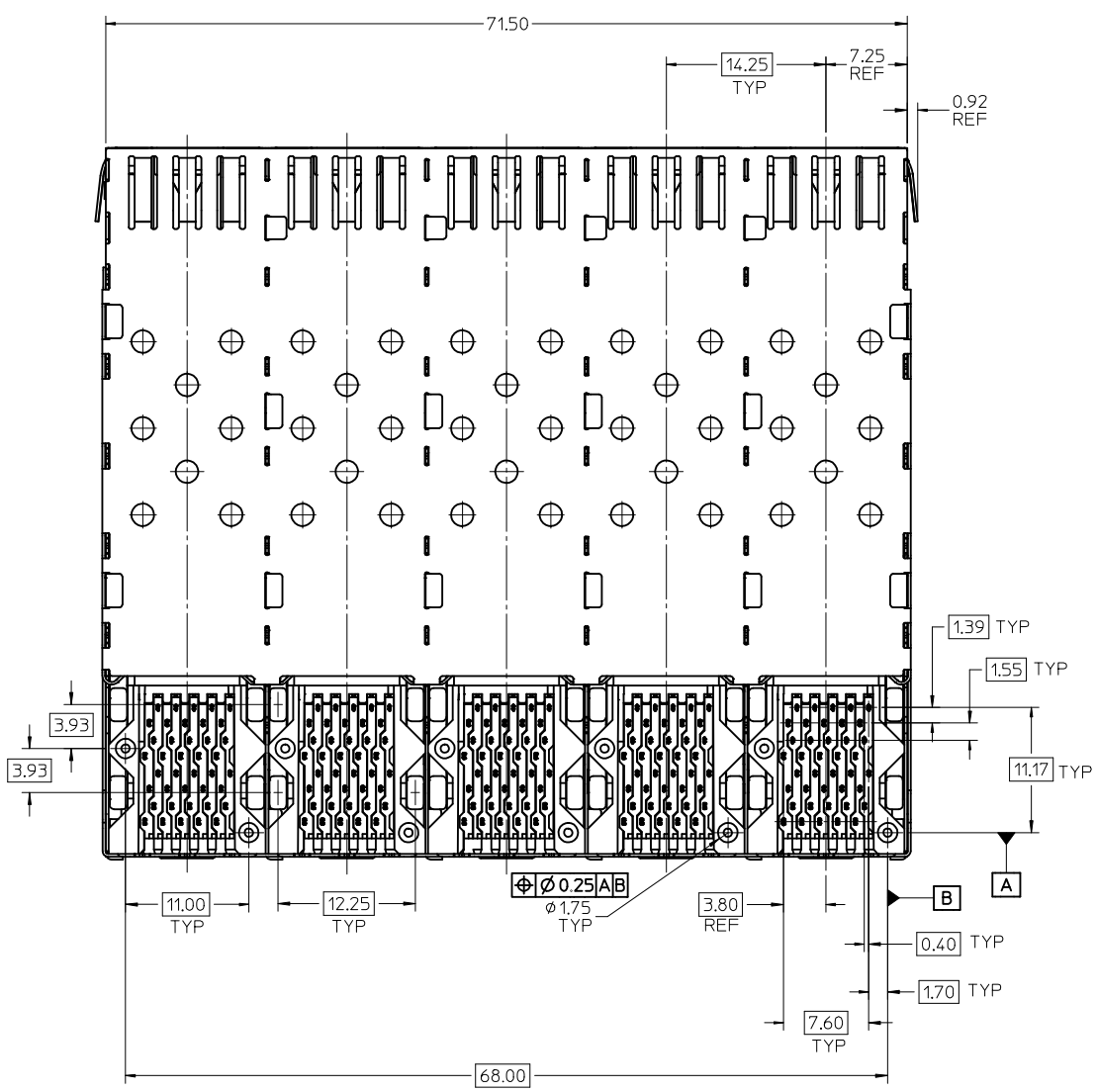
- MATERIAL:**
 CAGE: NICKEL SILVER, THICKNESS: 0.25mm
 CONNECTOR HOUSING: GLASS FILLED HIGH TEMP PLASTIC, 94 V-0
 COLOR: BLACK
 OVERMOLDED TERMINAL HOUSING: GLASS FILLED HIGH TEMP PLASTIC,
 94 V-0, COLOR: BLACK
 TERMINALS: TIN BRASS
 LIGHT PIPES: POLYCARBONITE, 94 V-0, COLOR: CLEAR
 LIGHT PIPE HOUSING: ZINC
- FINISH:**
 CAGE ASSY: (ALTERNATE POST-PLATED) NICKEL (MATTE) 2-5 MICROMETERS NICKEL OVER 2 MICROMETERS COPPER BASE.
 LIGHT PIPE HOUSING: 150 MICROMETERS NICKEL OVER 150 MICROMETERS COPPER
 TERMINALS: CONTACT AREA: 0.76 MICRONS MINIMUM HARD GOLD OVER 127 MICROMETERS MINIMUM NICKEL.
 COMPLIANT AREA - TIN/LEAD OPTION: 0.76 - 152 MICROMETERS 90/10 TIN/LEAD OVER 0.76 - 152 MICROMETERS NICKEL
 COMPLIANT AREA - TIN OPTION: 0.76 - 152 MICROMETERS TIN OVER 0.76 - 152 MICROMETERS NICKEL
- REFER TO PS-75310-001 PRODUCT SPEC FOR ALL ELECTRICAL, MECHANICAL AND ENVIRONMENTAL SPECIFICATIONS.
- LIGHT PIPE PAD LAYOUT IS FOR LOW-PROFILE LED PACKAGE, FOR OTHER RECOMMENDED LAYOUTS REFER TO MOLEX'S REPORT TS-75310-001.
- REFER TO PK-75733-001 FOR ALL PACKAGING SPECIFICATIONS.
- THE CURVED TAILS THAT GO INTO THE HOLES LOCATED BY THESE DIMENSIONS ARE BEING ELIMINATED, TO ACCOMMODATE THIS CONVERSION, IT IS RECOMMENDED THAT BOARDS DESIGNED TO THIS PRINT REVISION INCLUDE THESE HOLES.
- PART COMPLIES WITH COSMETIC SPECIFICATION PS-45499-002. SEE SHEET 4 SECTION Z-Z FOR SURFACE CLASSIFICATIONS. UNDERSIDE OF CAGE COMPLIES WITH CLASS 'C'.

PART NUMBER	DESCRIPTION	VIEW	COMPLIANT TAIL PLATING	CAGE PLATING
757340001	4 PORT LIGHT PIPE	SEE PG 2	TIN / LEAD	N/A
757340002	INNER 2 PORTS	SEE PG 2	TIN / LEAD	N/A
757340003	OUTER 2 PORTS	SEE PG 2	TIN / LEAD	N/A
757345001	4 PORT LIGHT PIPE	SEE PG 2	TIN	N/A
757345002	INNER 2 PORTS	SEE PG 2	TIN	N/A
757345003	OUTER 2 PORTS	SEE PG 2	TIN	N/A
757341001	4 PORT LIGHT PIPE	SEE PG 2	TIN / LEAD	POST-PLATED

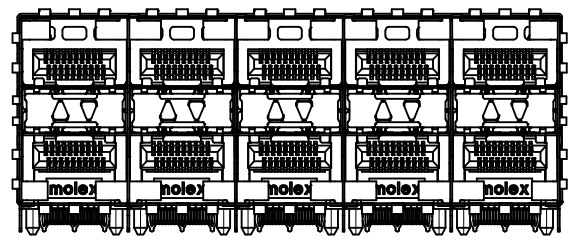
ADD KEEP OUT ZONES EC NO: UCP2010-0369 DRINKINS BARRA 7/2/09 CHKD:BBARKER 2009/08/26 APPR:SMILLER 2009/08/27	QUALITY SYMBOLS	DESCRIPTION
	▽=0	
	▽=0	
	REV	

GENERAL TOLERANCES (UNLESS SPECIFIED)	
mm	INCH
4 PLACES ± ---	± ---
3 PLACES ± ---	± ---
2 PLACES ± 0.13	± ---
1 PLACE ± 0.25	± ---
ANGULAR ± 5 °	
DRAFT WHERE APPLICABLE MUST REMAIN WITHIN DIMENSIONS	

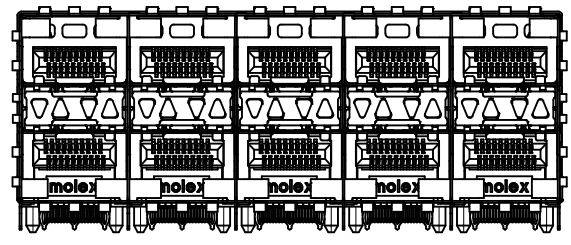
DIMENSION STYLE		SCALE	DESIGN UNITS	THIRD ANGLE PROJECTION
MM ONLY		3:1	METRIC	
DRAWN BY	DATE	TITLE		
DROSCA	11/29/2004	STACKED SFP 2X5 MEDIUM HEIGHT ASS'Y, PRESS-FIT TAILS WITH LIGHT PIPES		
CHECKED BY	DATE	MOLEX MOLEX INCORPORATED		
JLONG	11/29/2004	DOCUMENT NO. SD-75734-001		
APPROVED BY	DATE	SHEET NO. 1 OF 4		
RNELSON	11/29/2004			
MATERIAL NO.	SEE TABLE	THIS DRAWING CONTAINS INFORMATION THAT IS PROPRIETARY TO MOLEX INCORPORATED AND SHOULD NOT BE USED WITHOUT WRITTEN PERMISSION		
SIZE	C			



75734-0003 & 75734-5003
WITH OUTER LIGHT PIPES



75734-0002 & 75734-5002
WITH INNER LIGHT PIPES

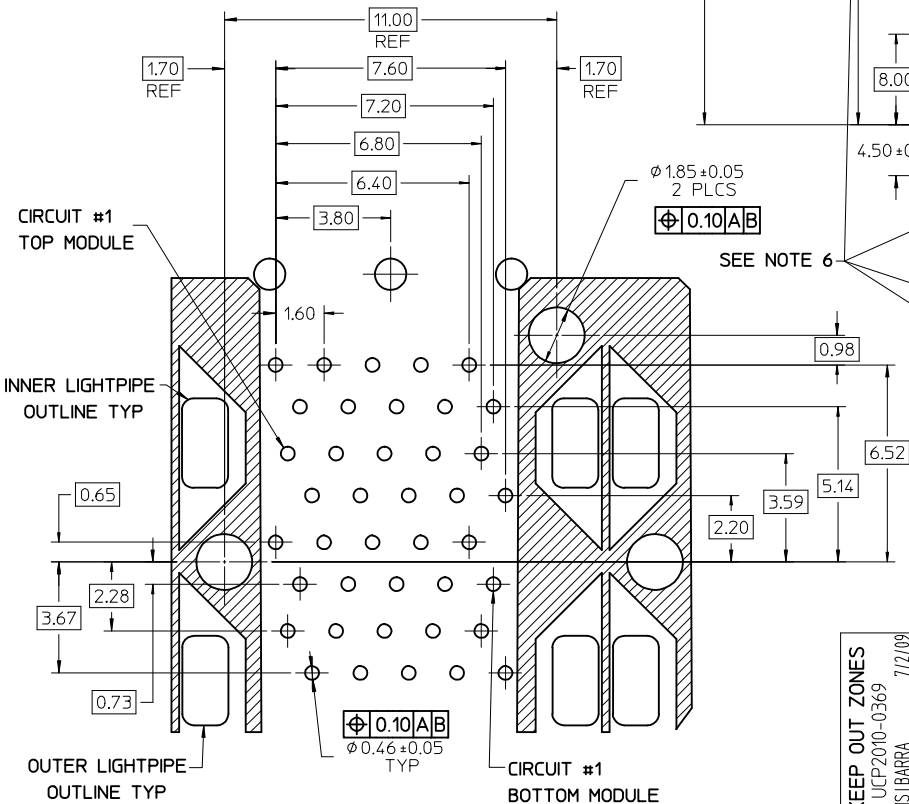


75734-0001 & 75734-5001
WITH INNER/OUTER LIGHT PIPES

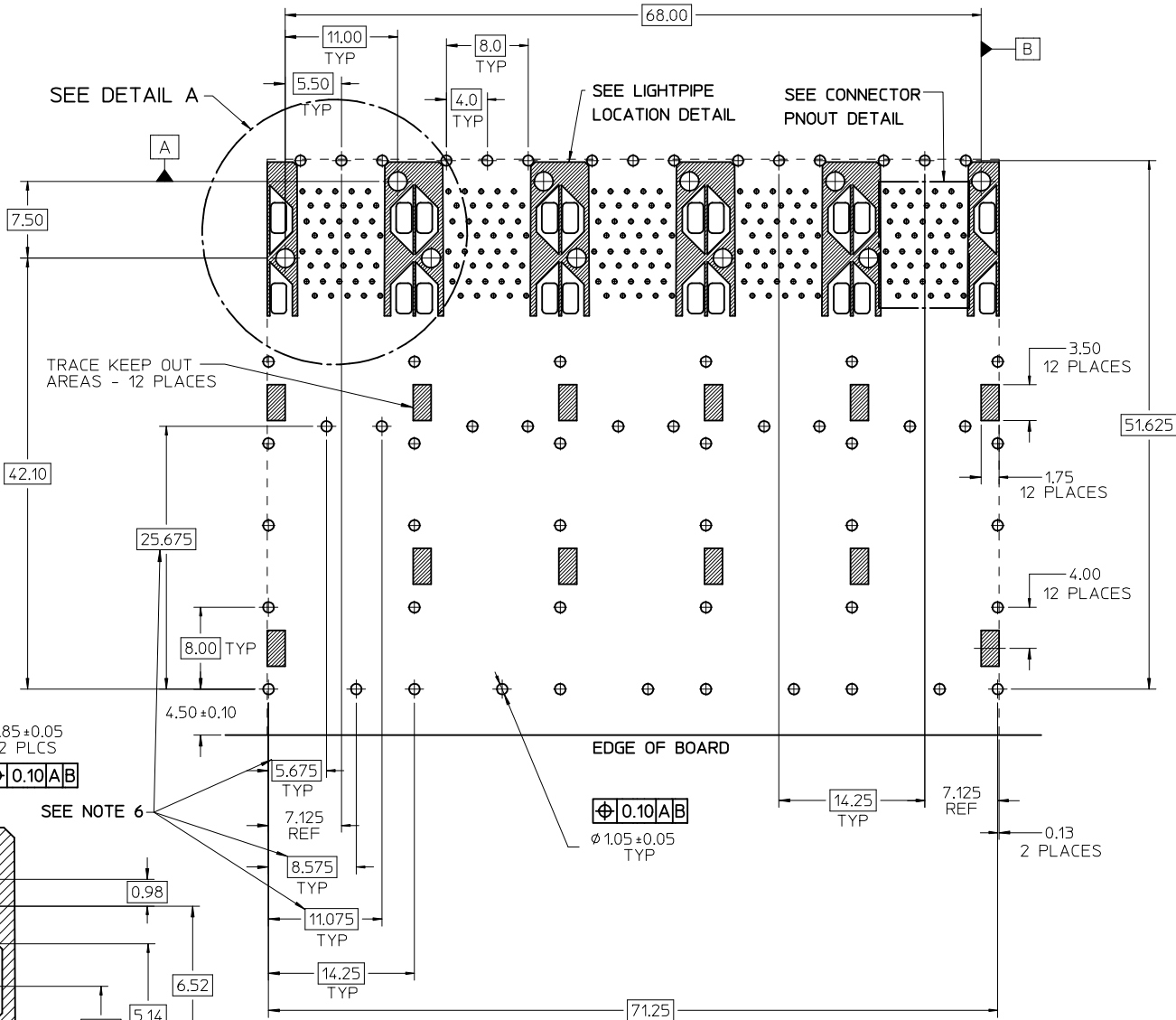
SEE SHEET 1 EC NO: UCP2010-0369 7/2/09 DRWINMSI BARRA CHKD:BBARKER APPR:SMILLER 2009/08/26 2009/08/27	QUALITY SYMBOLS ▽=0 ▽=0	GENERAL TOLERANCES (UNLESS SPECIFIED) <table border="1"> <thead> <tr> <th></th> <th>mm</th> <th>INCH</th> </tr> </thead> <tbody> <tr> <td>4 PLACES</td> <td>± 0.25</td> <td>± 0.010</td> </tr> <tr> <td>3 PLACES</td> <td>± 0.25</td> <td>± 0.010</td> </tr> <tr> <td>2 PLACES</td> <td>± 0.13</td> <td>± 0.005</td> </tr> <tr> <td>1 PLACE</td> <td>± 0.25</td> <td>± 0.010</td> </tr> </tbody> </table>		mm	INCH	4 PLACES	± 0.25	± 0.010	3 PLACES	± 0.25	± 0.010	2 PLACES	± 0.13	± 0.005	1 PLACE	± 0.25	± 0.010	DIMENSION STYLE MM ONLY DRAWN BY DATE DROSCA 11/29/2004 CHECKED BY DATE JLONG 11/29/2004 APPROVED BY DATE RNELSON 11/29/2004	SCALE 3:1 DESIGN UNITS METRIC THIRD ANGLE PROJECTION	TITLE STACKED SFP 2X5 MEDIUM HEIGHT ASS'Y, PRESS-FIT TAILS WITH LIGHT PIPES
		mm	INCH																	
	4 PLACES	± 0.25	± 0.010																	
	3 PLACES	± 0.25	± 0.010																	
2 PLACES	± 0.13	± 0.005																		
1 PLACE	± 0.25	± 0.010																		
MATERIAL NO. SEE TABLE	DOCUMENT NO. SD-75734-001	SHEET NO. 2 OF 4	MOLEX INCORPORATED																	
DRAFT WHERE APPLICABLE MUST REMAIN WITHIN DIMENSIONS	SIZE C	THIS DRAWING CONTAINS INFORMATION THAT IS PROPRIETARY TO MOLEX INCORPORATED AND SHOULD NOT BE USED WITHOUT WRITTEN PERMISSION																		

T20 T18 T16 T14 T12
 T19 T17 T15 T13 T11
 T1 T3 T5 T7 T9
 T2 T4 T6 T8 T10
 L10 L8 L6 L4 L2
 L9 L7 L5 L3 L1
 L11 L13 L15 L17 L19
 L12 L14 L16 L18 L20

CONNECTOR PN-OUT DETAIL
 SCALE 6:1

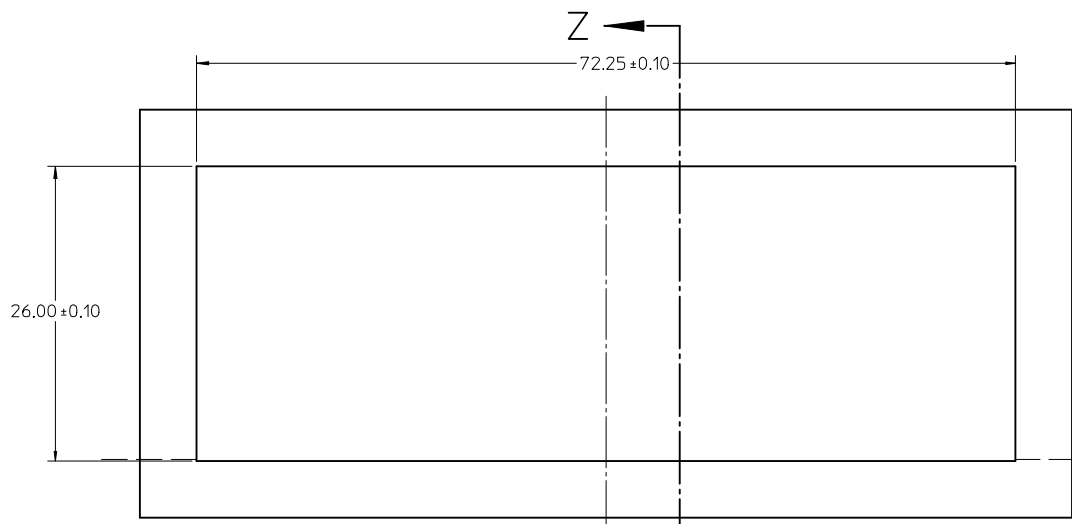


DETAIL A
 SCALE 8:1

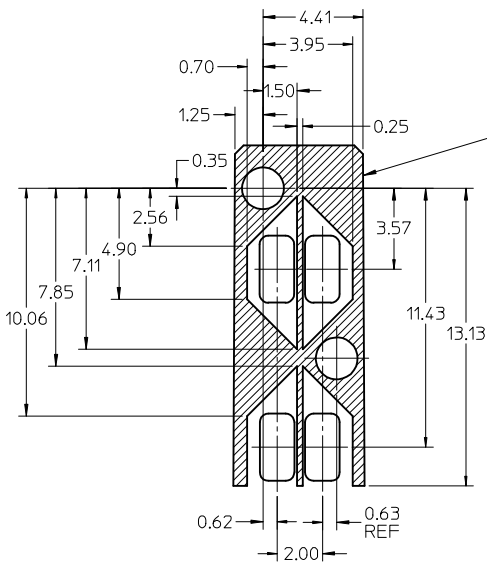


RECOMMENDED PCB LAYOUT - COMPONENT SIDE
 RECOMMENDED PCB THICKNESS - 2.36 MM (.093 INCH)
 THE ENTIRE AREA OF THE CONNECTOR FOOTPRINT
 TO BE CONSIDERED THE KEEP OUT AREA FOR COMPONENTS
 (OTHER THAN LIGHT PIPE LED'S).
 THIS AREA IS INDICATED BY THE DASHED LINE

ADD KEEP OUT ZONES EC NO: UCP2010-0369 7/12/09 DRAWN BY: DRWINMS BARRA CHKD: HBARKER APPR: SMILLER 2009/08/26 2009/08/27	QUALITY SYMBOLS ▽=0 ▽=0	GENERAL TOLERANCES (UNLESS SPECIFIED)		DIMENSION STYLE MM ONLY		SCALE 3:1	DESIGN UNITS METRIC	THIRD ANGLE PROJECTION	
		mm	INCH	DRAWN BY DATE	CHECKED BY DATE	STACKED SFP 2X5 MEDIUM HEIGHT ASS'Y, PRESS-FIT TAILS WITH LIGHT PIPES			
G	DESCRIPTION	4 PLACES ± --- ± ---	3 PLACES ± --- ± ---	JLONG	11/29/2004	MOLEX INCORPORATED			
		2 PLACES ± 0.13 ± ---	1 PLACE ± 0.25 ± ---	RNELSON	11/29/2004	SD-75734-001			
DRAFT WHERE APPLICABLE MUST REMAIN WITHIN DIMENSIONS		ANGULAR ± 5 °		SEE TABLE		DOCUMENT NO.		SHEET NO. 3 OF 4	
THIS DRAWING CONTAINS INFORMATION THAT IS PROPRIETARY TO MOLEX INCORPORATED AND SHOULD NOT BE USED WITHOUT WRITTEN PERMISSION									

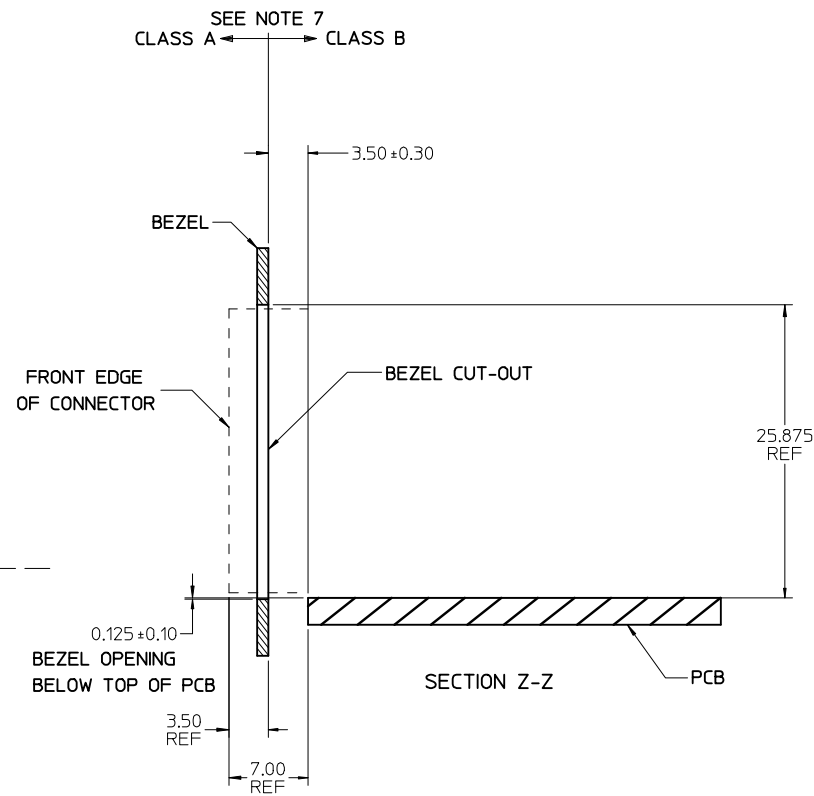


BEZEL CUT-OUT OPENING DETAIL
BEZEL THICKNESS 0.8 - 2.6



THE HATCHED AREA IN THIS VIEW INDICATES ZONES THAT ARE OCCUPIED BY THE PLASTIC HOUSING THAT SEATS AGAINST THE PCB AND BY THE VERTICAL METAL CAGE WALL THAT STOPS JUST SHORT OF THE PCB

DETAIL - LIGHTPIPE LOCATION AND OTHER ZONES
SCALE 6:1



SEE SHEET 1	EC NO: UCP2010-0369	7/2/09	DRWN:MSIBARRA	CHKD:BBARKER	2009/08/26	APPR:SMILLER	2009/08/27	QUALITY SYMBOLS ▽=0 ▽=0	GENERAL TOLERANCES (UNLESS SPECIFIED)		DIMENSION STYLE MM ONLY		SCALE 3:1	DESIGN UNITS METRIC	THIRD ANGLE PROJECTION
									mm	INCH	DRAWN BY DROSCA	DATE 11/29/2004	TITLE STACKED SFP 2X5 MEDIUM HEIGHT ASS'Y, PRESS-FIT TAILS WITH LIGHT PIPES		
									4 PLACES	± ---	± ---	CHECKED BY JLONG	DATE 11/29/2004	MOLEX INCORPORATED SD-75734-001	
								3 PLACES	± ---	± ---	APPROVED BY RNELSON	DATE 11/29/2004			
									2 PLACES	± 0.13	± ---	MATERIAL NO. SEE TABLE		DOCUMENT NO. SD-75734-001	SHEET NO. 4 OF 4
									1 PLACE	± 0.25	± ---	THIS DRAWING CONTAINS INFORMATION THAT IS PROPRIETARY TO MOLEX INCORPORATED AND SHOULD NOT BE USED WITHOUT WRITTEN PERMISSION			
									ANGULAR ± 5 °						
								DRAFT WHERE APPLICABLE MUST REMAIN WITHIN DIMENSIONS							