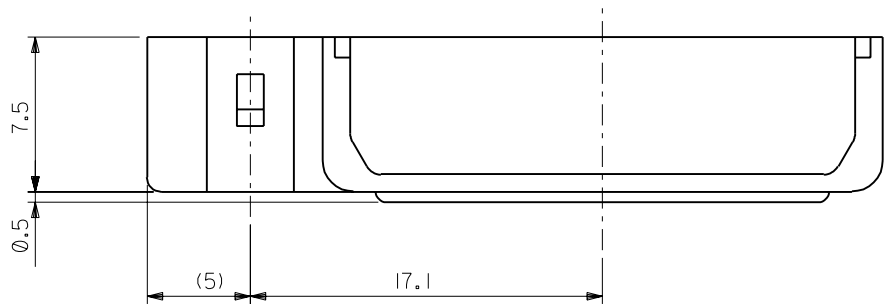
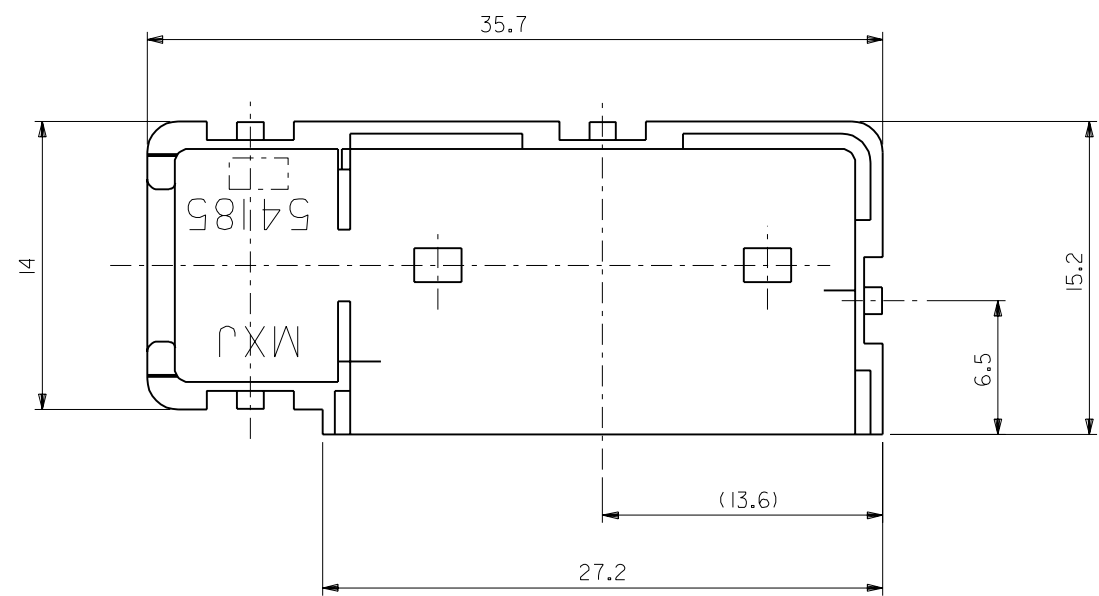
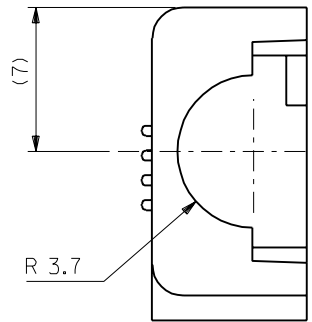


DWG. NO. SD-54185-220*



NOTES

1 適合シエル : 58307-22**
 APPLICABLE SHELL : 58307-22**

54185-2201
 ENG.NO.

角度 ANGLE ±3° 30以上 OVER +0.3 10以上 OVER 30未滿 UNDER +0.25 10未滿 UNDER +0.2		① 新規作成 (JA70149) 記号 LTR 変更内容 REVISION RECORD DR. CHK. 日付 DATE		材料 MATERIAL PBTP,UL94V-0 BLACK 仕上げ FINISH — / — 適用電線範囲 WIRE RANGE — / — 被覆外径 INS. RANGE — / — DRAWN BY 97/5/20 M.ASAOKA APP'D BY 97/5/20 M.ENOMOTO		MOLEX-JAPAN CO.,LTD. 日本モレックス株式会社 REVISE ONLY ON CAD SYSTEM TITLE 名称 2.0 I/O CONN. MOLD LOWER COVER(R/A) DWG. NO. SD-54185-220*		REV ①
----------------------------------------------------------------------------------------	--	------------------------------------------------------------------	--	-------------------------------------------------------------------------------------------------------------------------------------------------------------------	--	--------------------------------------------------------------------------------------------------------------------------------------------	--	-------

DIMENSIONS IN METRIC DO NOT SCALE DRAWING

54185-2201