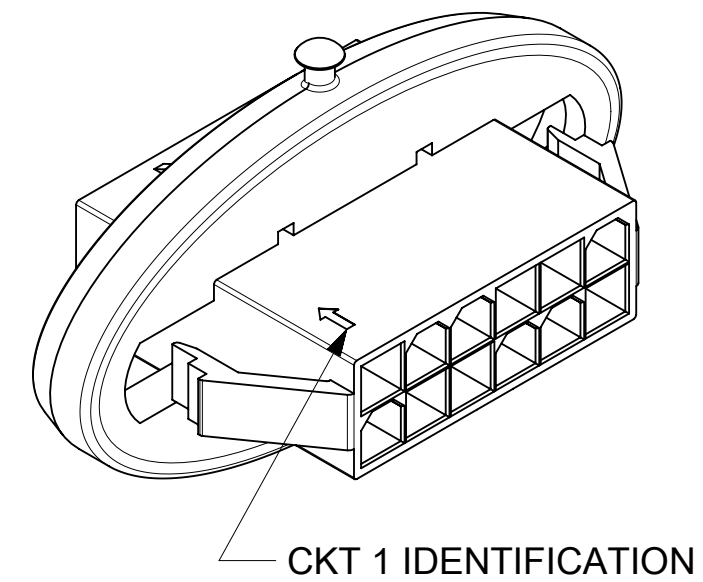
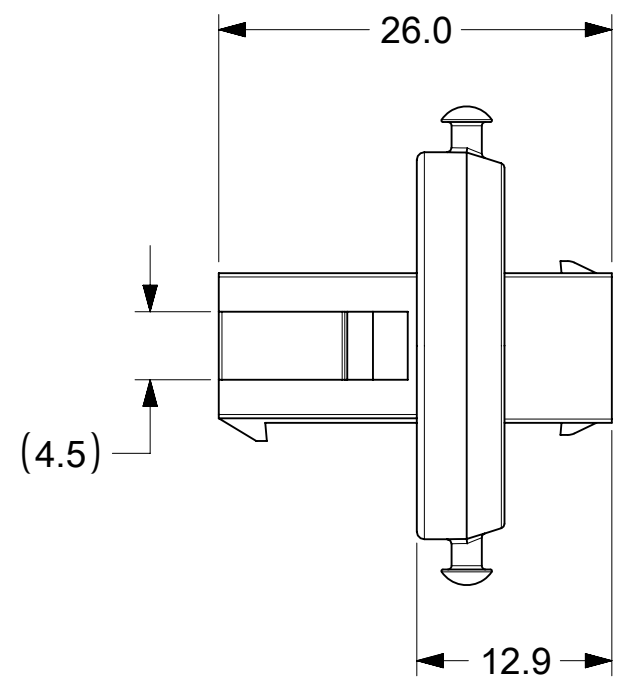
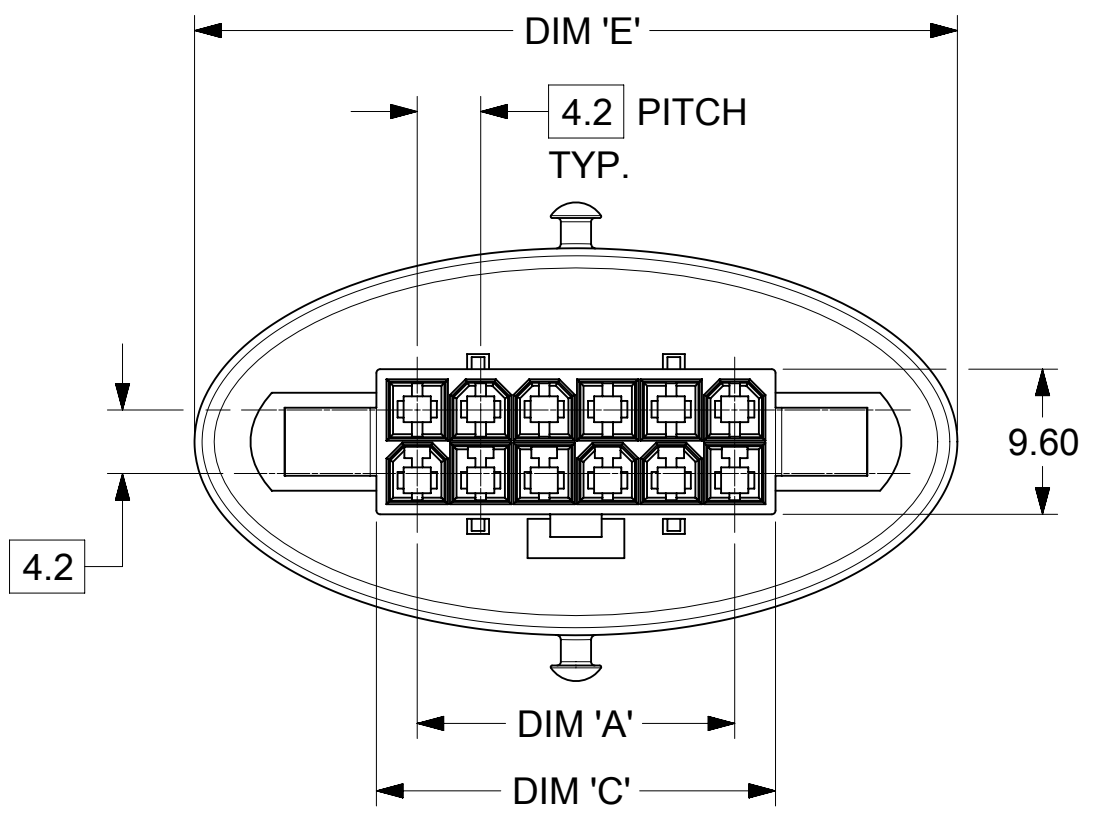


RECOMMENDED PANEL CUT-OUT SHOWN FOR 12CKT, 0.89-2.00 THICK PANEL
 PANEL CUTOOUT TOLERANCES ±0.10
 SHOWN FROM MATING SIDE



- NOTE:
1. MATERIAL: NYLON PA66, UL94V-0
COLOR: NATURAL
 2. PRODUCT SPECIFICATION: 2070170000-PS
APPLICATION SPECIFICATION: 2070170000-AS
 3. PACKAGING SPECIFICATION: 2070170000-PK
 4. THIS HOUSING TO BE USED WITH MALE TERMINAL SERIES 172765,
TPA PN 172709200X, SIGMA SEAL COVER 207019.
 5. TPA IS OPTIONAL FOR THIS PRODUCT.
 6. THIS PART MATES WITH SERIES 5557,46992 & 172708.
 7. WIRES TO BE DRESSED IN SUCH A MANNER TO ALLOW TERMINALS TO FLOAT
FREELY IN THE POCKET.
 8. CONNECTORS ARE NOT TO BE MATED OR UNMATED WHILE CIRCUITS ARE LIVE.
 9. PART CONFORMS TO CLASS "B" REQUIREMENTS OF COSMETIC SPECIFICATION
PS-45499-002.
 10. TEXT ON PART IS FOR REFERENCE ONLY. TEXT AND TEXT LOCATION MAY VARY.

PLUG PART NUMBER	CKT	A	C	D	E
2070170018	18	33.6	39.0	51.2	63.0
2070170016	16	29.4	34.8	47.0	58.8
2070170014	14	25.2	30.6	42.8	54.6
2070170012	12	21.0	26.4	38.6	50.4
2070170010	10	16.8	22.2	34.4	46.2
2070170008	8	12.6	18.0	30.2	42.0
2070170006	6	8.4	13.8	26.0	37.8
2070170004	4	4.2	9.6	21.8	33.6

THIS DRAWING CONTAINS INFORMATION THAT IS PROPRIETARY TO MOLEX ELECTRONIC TECHNOLOGIES, LLC AND SHOULD NOT BE USED WITHOUT WRITTEN PERMISSION		CURRENT REV DESC:		molex	
DIMENSION UNITS mm	SCALE 2:1	EC NO: 670735			
GENERAL TOLERANCES (UNLESS SPECIFIED)		DRWN: KCHIKKANNA 2021/07/19		MINI-FIT SIGMA SEALED PLUG HOUSING	
ANGULAR TOL ± 0.5°		CHK'D: KCHIKKANNA 2021/07/19		PRODUCT CUSTOMER DRAWING	
4 PLACES ±		APPR: ISHWARG 2021/07/26		DOCUMENT NUMBER	
3 PLACES ±		INITIAL REVISION:		2070170000-SD	
2 PLACES ± 0.25		DRWN: GGUNAGI 2019/07/02		DOC TYPE	DOC PART
1 PLACE ± 0.35		APPR: NCSR 2019/09/18		PSD	000
0 PLACES ±		THIRD ANGLE PROJECTION		REVISION	C2
DRAFT WHERE APPLICABLE MUST REMAIN WITHIN DIMENSIONS		DRAWING	SERIES	MATERIAL NUMBER	CUSTOMER
		B-SIZE	207017	SEE TABLE	GENERAL MARKET
					SHEET NUMBER
					1 OF 3

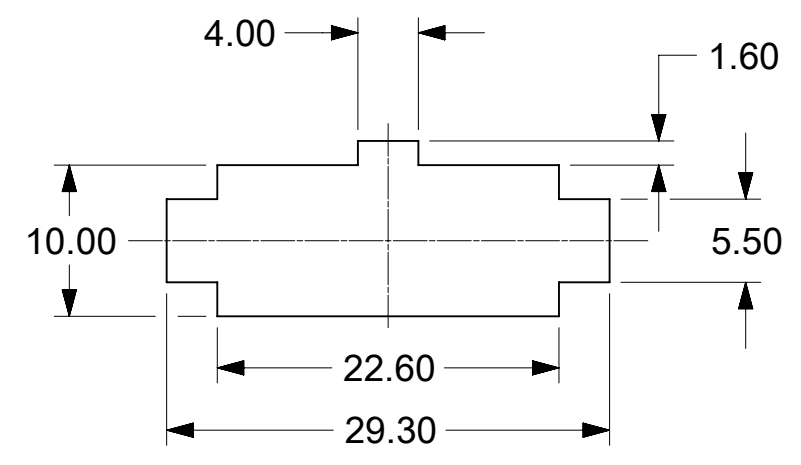
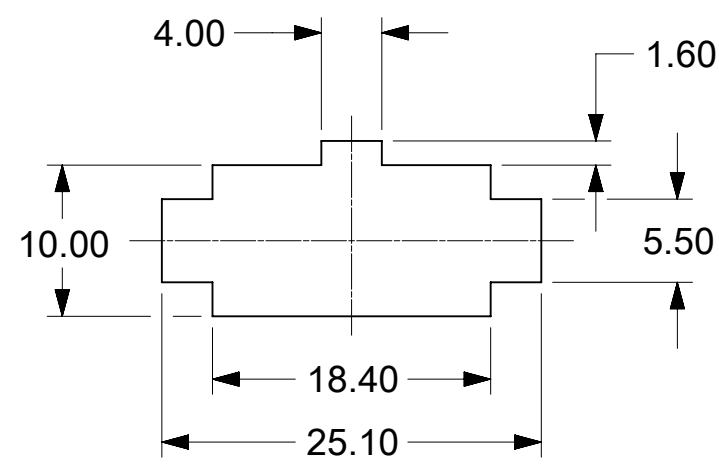
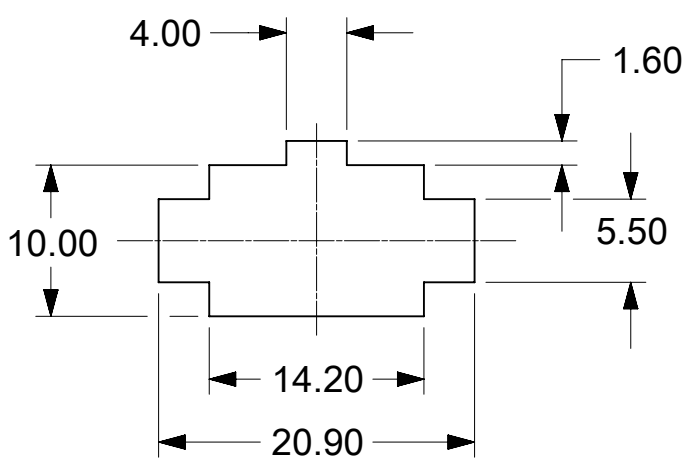
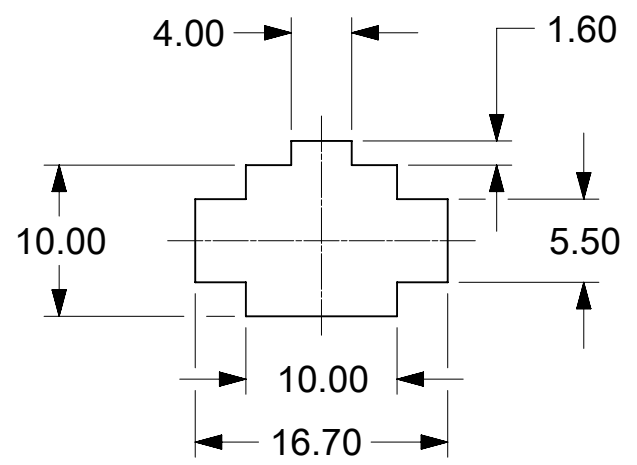
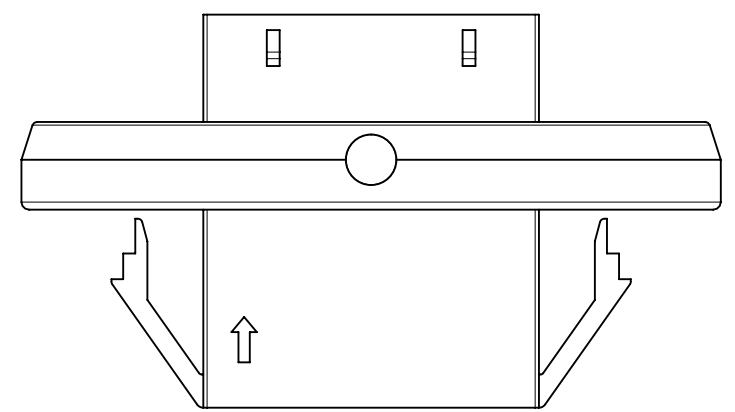
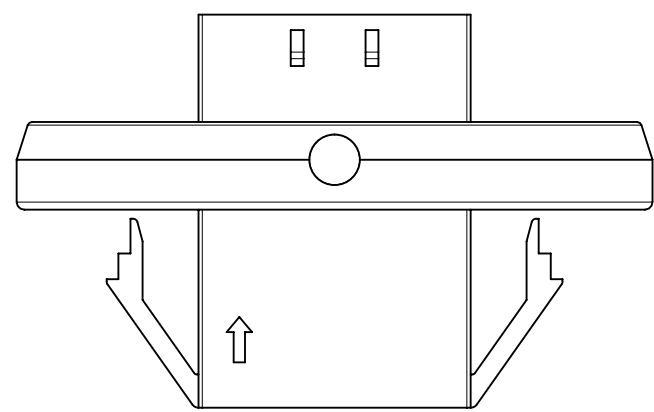
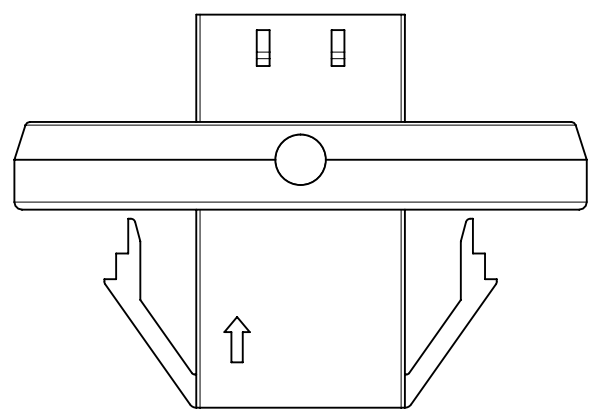
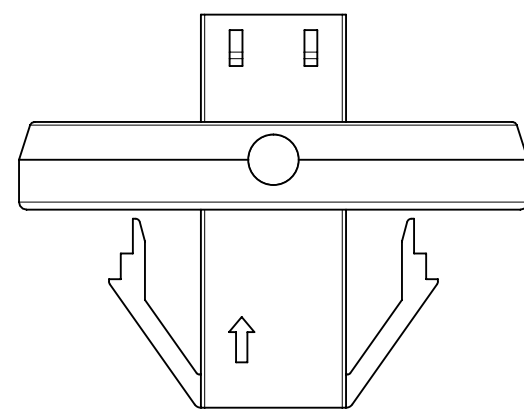
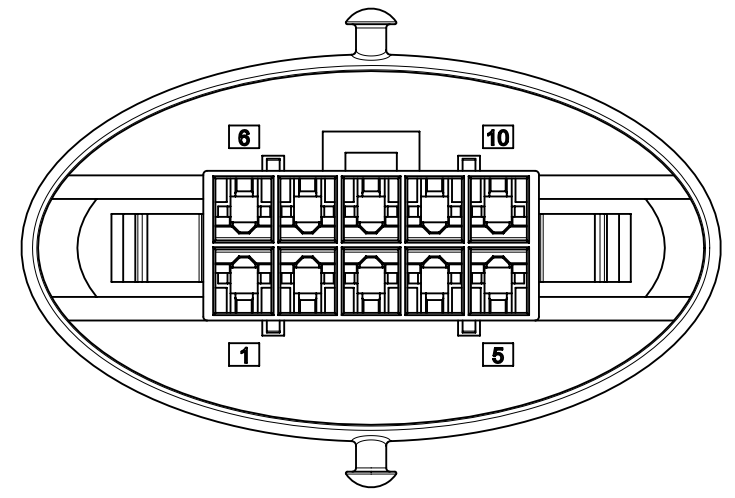
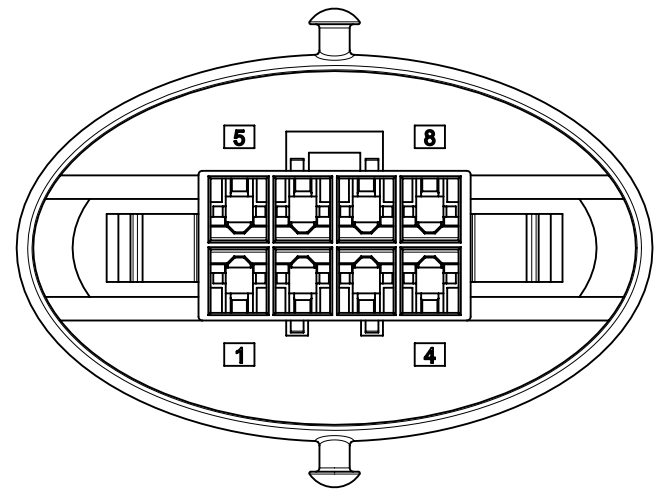
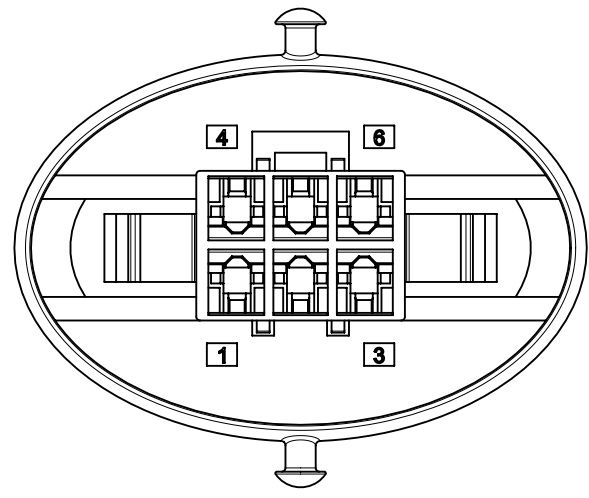
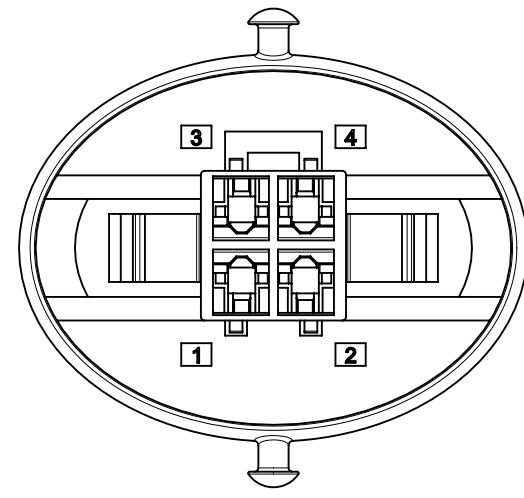
10 9 8 7 6 5 4 3 2 1

4 CKT

6 CKT

8 CKT

10 CKT



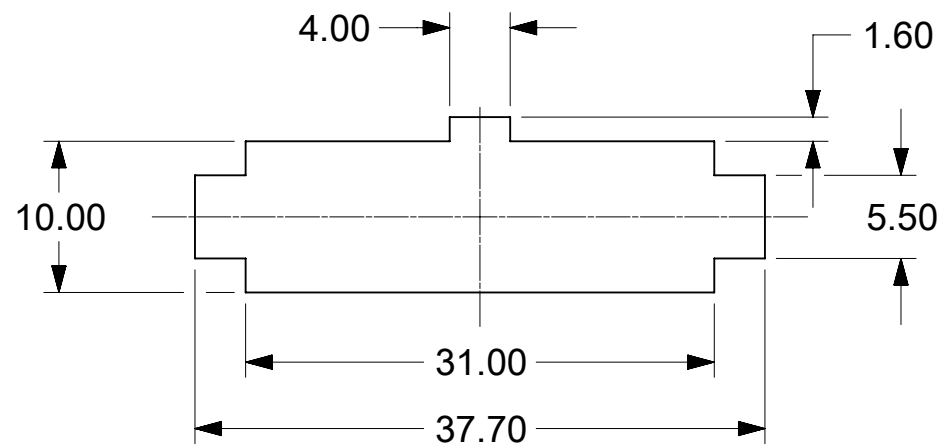
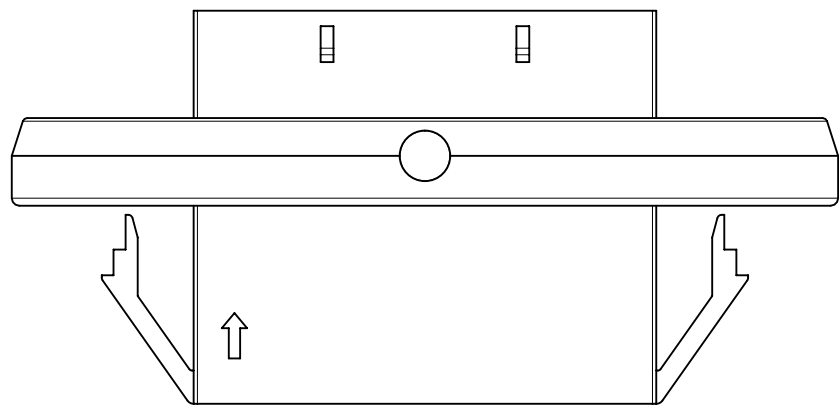
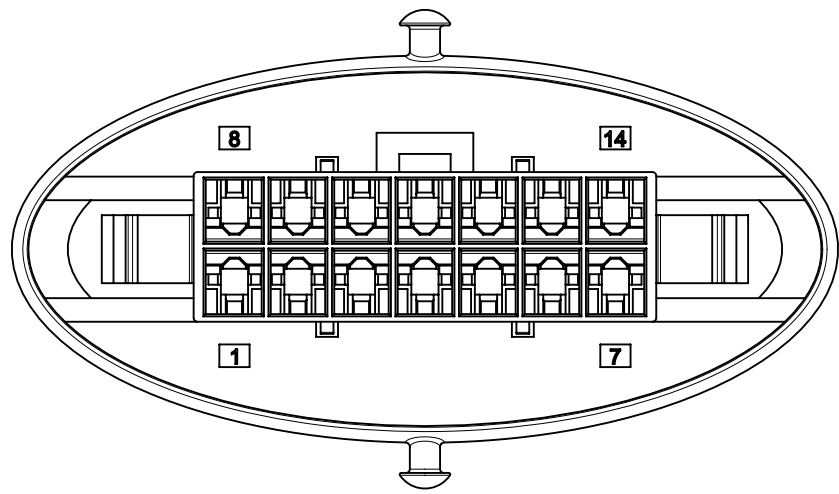
RECOMMENDED PANEL CUT-OUTS FOR 0.89-2.00 THICK PANEL
 PANEL CUTOUT TOLERANCES ±0.10
 SHOWN FROM MATING SIDE

NOTES
 1. DIMENSIONS SHOWN ONLY APPLY TO CIRCUIT
 SIZE SHOWN, SEE SHEET 1 FOR ALL OTHER
 APPLICABLE DIMENSIONS.

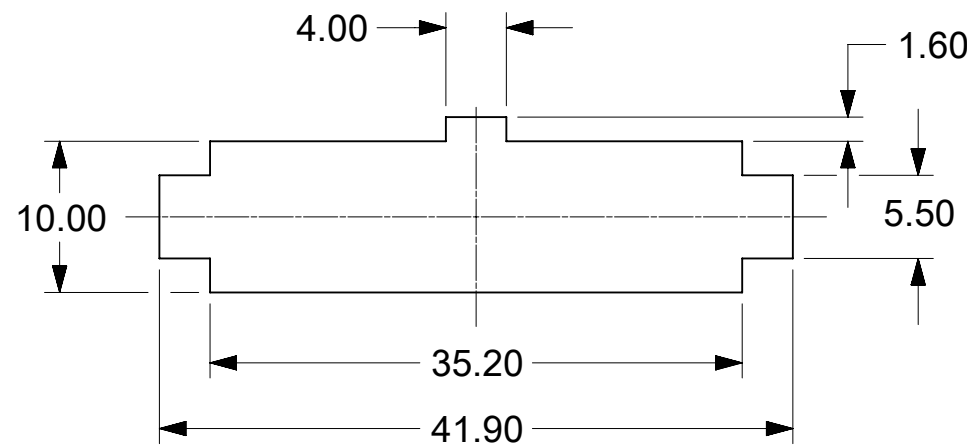
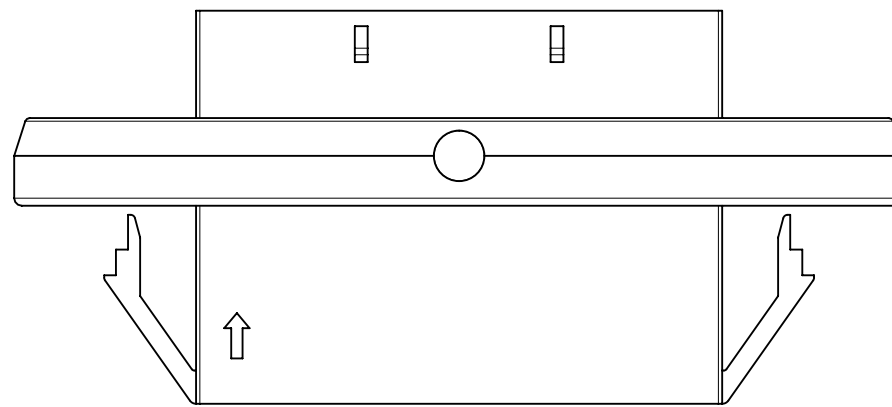
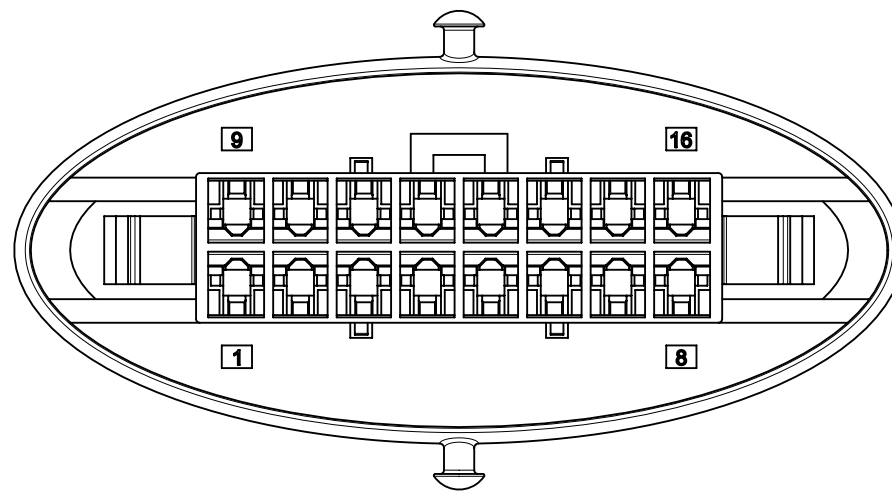
THIS DRAWING CONTAINS INFORMATION THAT IS PROPRIETARY TO MOLEX ELECTRONIC TECHNOLOGIES, LLC AND SHOULD NOT BE USED WITHOUT WRITTEN PERMISSION											
DIMENSION UNITS		SCALE		CURRENT REV DESC:							
mm		2:1									
GENERAL TOLERANCES (UNLESS SPECIFIED)				EC NO: 670735							
ANGULAR TOL ± 0.5°				DRWN: KCHIKKANA				2021/07/19			
4 PLACES ±				CHK'D: KCHIKKANA				2021/07/19			
3 PLACES ±				APPR: ISHWARG				2021/07/26			
2 PLACES ± 0.25				INITIAL REVISION:							
1 PLACE ± 0.35				DRWN: GGUNAGI				2019/07/02			
0 PLACES ±				APPR: NCSR				2019/09/18			
DRAFT WHERE APPLICABLE MUST REMAIN WITHIN DIMENSIONS				THIRD ANGLE PROJECTION		DRAWING		SERIES		MATERIAL NUMBER	
						B-SIZE		207017		SEE TABLE	
				CUSTOMER				SHEET NUMBER			
				GENERAL MARKET				2 OF 3			

9 8 7 6 5 4 3 2 1

14 CKT

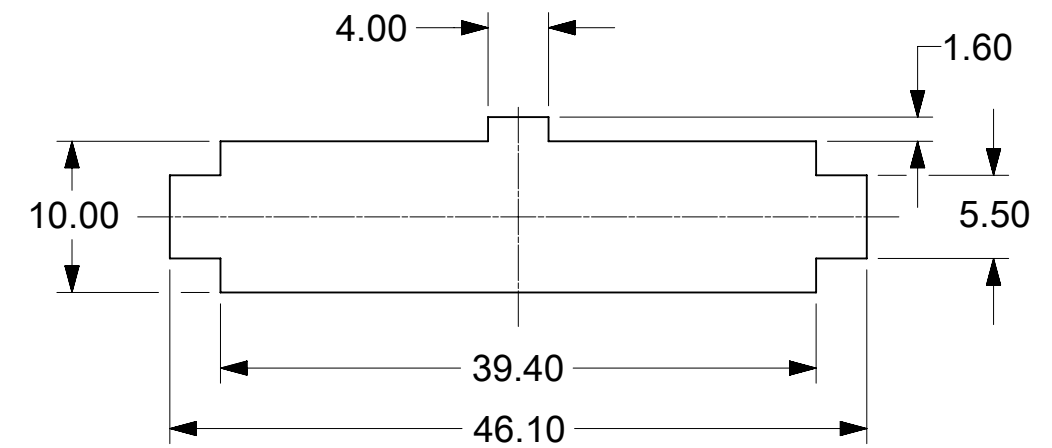
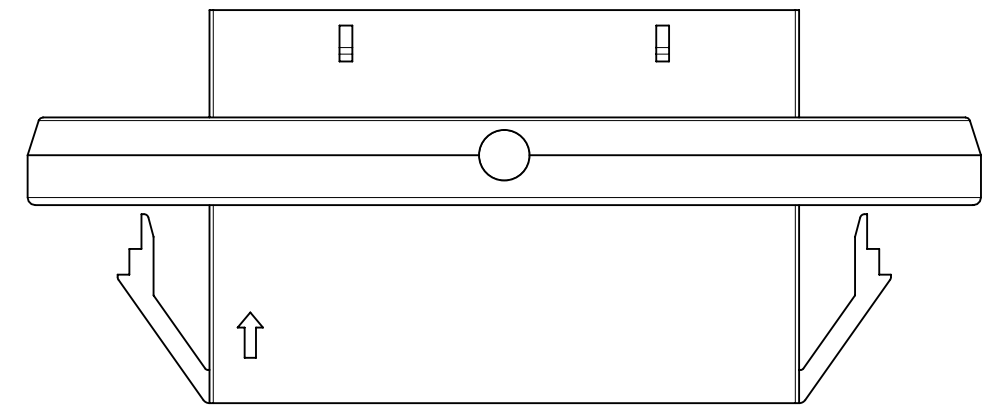
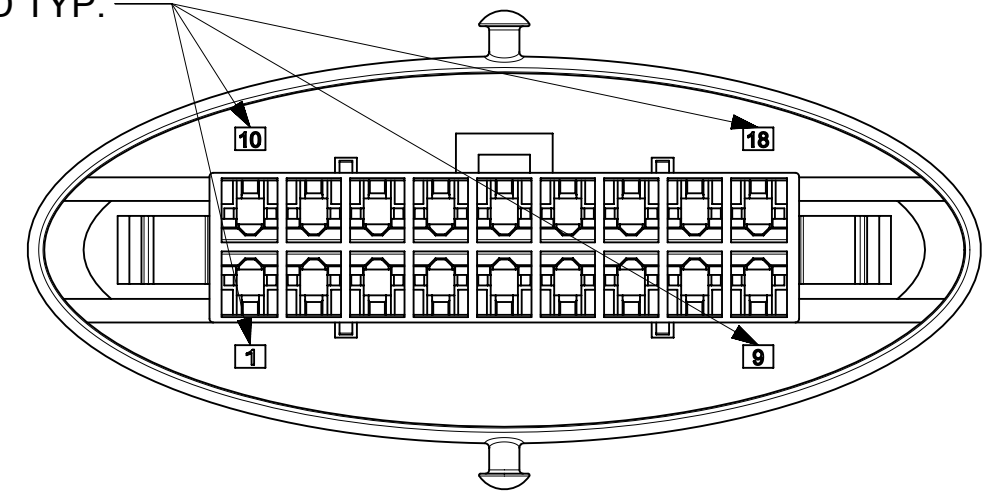


16 CKT



CKT ID TYP.

18 CKT



RECOMMENDED PANEL CUT-OUTS FOR 0.89-2.00 THICK PANEL
 PANEL CUTOUT TOLERANCES ±0.10
 SHOWN FROM MATING SIDE

NOTES
 1. DIMENSIONS SHOWN ONLY APPLY TO CIRCUIT
 SIZE SHOWN, SEE SHEET 1 FOR ALL OTHER
 APPLICABLE DIMENSIONS.

THIS DRAWING CONTAINS INFORMATION THAT IS PROPRIETARY TO MOLEX ELECTRONIC TECHNOLOGIES, LLC AND SHOULD NOT BE USED WITHOUT WRITTEN PERMISSION									
DIMENSION UNITS		SCALE		CURRENT REV DESC:					
mm		2:1		EC NO: 670735					
GENERAL TOLERANCES (UNLESS SPECIFIED)				DRWN: KCHIKKANNA		2021/07/19			
ANGULAR TOL ± 0.5°				CHK'D: KCHIKKANNA		2021/07/19			
4 PLACES ±				APPR: ISHWARG		2021/07/26		MINI-FIT SIGMA SEALED PLUG HOUSING	
3 PLACES ±				INITIAL REVISION:					
2 PLACES ± 0.25				DRWN: GGUNAGI		2019/07/02		PRODUCT CUSTOMER DRAWING	
1 PLACE ± 0.35				APPR: NCSR		2019/09/18		DOCUMENT NUMBER	
0 PLACES ±				THIRD ANGLE PROJECTION		DRAWING		SERIES	
DRAFT WHERE APPLICABLE MUST REMAIN WITHIN DIMENSIONS				B-SIZE		207017		MATERIAL NUMBER	
				SEE TABLE		CUSTOMER		REVISION	
				GENERAL MARKET		3 OF 3		2070170000-SD PSD 000 C2	