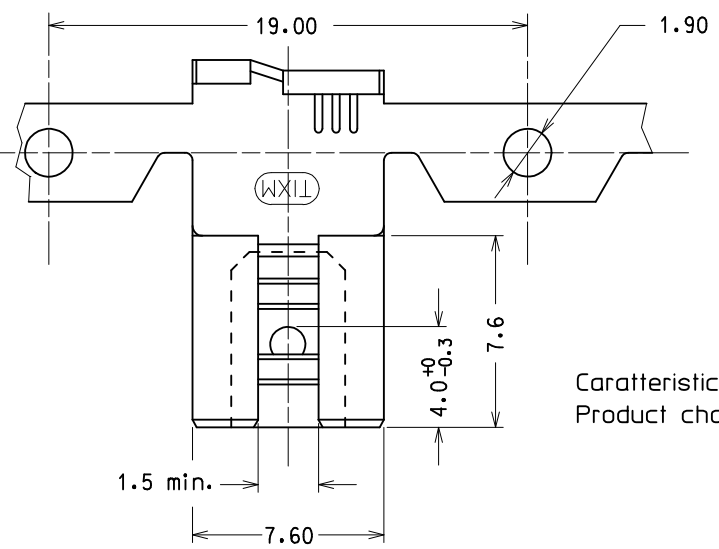
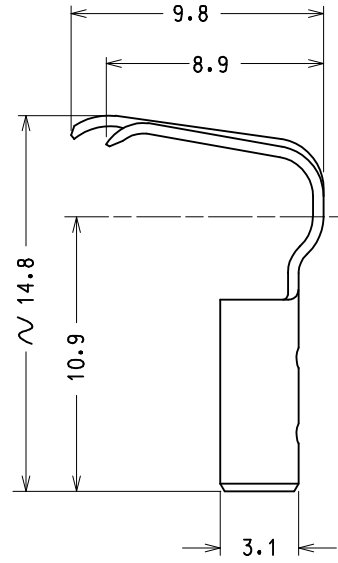


SENDO DI SVOLGIMENTO DALLA BOBINA PER APPLICATORE
DEREELING DIRECTION TO THE MINI-APPLICATOR



CODICE P/N	MATERIALE MATERIAL	FINITURA PLATING
94030-7950	OTTONE / BRASS	GREGGIO / PLAIN
94030-7951		STAGNATO / TIN
94030-7952	ACCIAIO / STEEL	NICHELATO / NICKEL
94030-7953	ALPACCA / GERMAN SILVER	GREGGIO / PLAIN

Caratteristiche di Prodotto secondo PS 94030-001 (versione italiana)
Product characteristics according to PS 94030-002 (english version)

Added notes EC NO: Z2015-0006 DRWN:LSANTESS 2014/07/18 CHKD:LSANTESS 2014/07/18 APPR:PZANGIROLAMI 2014/07/18	QUALITY SYMBOLS	GENERAL TOLERANCES (UNLESS SPECIFIED)	DIMENSION STYLE	SCALE	DESIGN UNITS	FIRST ANGLE PROJECTION																		
	$F_A=0$ $F_C=0$ $F_P=0$	<table border="1"> <thead> <tr> <th></th> <th>mm</th> <th>INCH</th> </tr> </thead> <tbody> <tr> <td>4 PLACES</td> <td>± ---</td> <td>± ---</td> </tr> <tr> <td>3 PLACES</td> <td>± ---</td> <td>± ---</td> </tr> <tr> <td>2 PLACES</td> <td>± 0.10</td> <td>± ---</td> </tr> <tr> <td>1 PLACE</td> <td>± 0.20</td> <td>± ---</td> </tr> <tr> <td>0 PLACE</td> <td>±</td> <td>±</td> </tr> </tbody> </table>		mm	INCH	4 PLACES	± ---	± ---	3 PLACES	± ---	± ---	2 PLACES	± 0.10	± ---	1 PLACE	± 0.20	± ---	0 PLACE	±	±	MM ONLY	5:1	METRIC	
		mm	INCH																					
	4 PLACES	± ---	± ---																					
3 PLACES	± ---	± ---																						
2 PLACES	± 0.10	± ---																						
1 PLACE	± 0.20	± ---																						
0 PLACE	±	±																						
DRAWN BY: LSANTESS CHECKED BY: LSANTESS APPROVED BY: PZANGIROLAMI	ANGULAR ± 3 ° DRAFT WHERE APPLICABLE MUST REMAIN WITHIN DIMENSIONS	DRAWN BY: LSANTESS CHECKED BY: LSANTESS APPROVED BY: PZANGIROLAMI	DATE: 2014/07/18 DATE: 2014/07/18 DATE: 2014/07/18	TITLE FLAG FEMALE TERMINAL FOR 6.3X0.8 TABS WIRE RANGE 1.5-3.0 MMQ 																				
A1	REV	SIZE	MATERIAL NO. 94030-795x DOCUMENT NO. SD-94030-795 SHEET NO. 1 OF 1 THIS DRAWING CONTAINS INFORMATION THAT IS PROPRIETARY TO MOLEX INCORPORATED AND SHOULD NOT BE USED WITHOUT WRITTEN PERMISSION																					