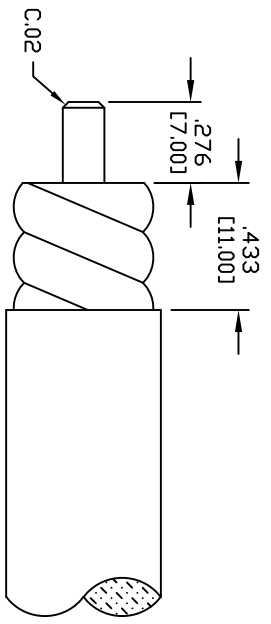
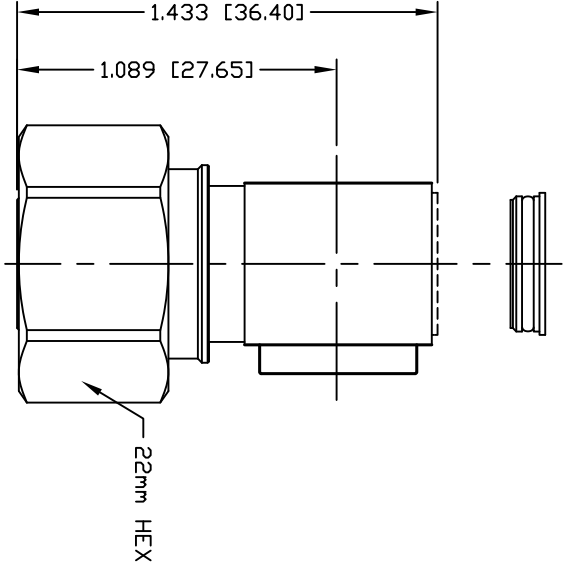


PART NO.		<b>RFD-4195MRA-H4</b>	
REV	DESCRIPTION	DWN	DATE
—	ENGINEERING RELEASE	CZS	10/19/19
			APPROVED
			JDMc



RECOMMENDED STRIPPING DIMENSIONS

**SPECIFICATIONS:**

INTERFACE: IEC61169-54  
 IMPEDANCE: 50 Ohms  
 FREQUENCY RANGE: 0-3 GHz  
 VSWR: ≤1.25 @ 3GHz  
 3rd ORDER IM: ≤-160dBc (RELATIVE TO CARRIER)  
 3rd ORDER IM TEST METHOD: 2x43dBm CARRIERS  
 DIELECTRIC WITHSTANDING VOLTAGE: 1500 V/AC  
 INSULATION RESISTANCE: 5000 MΩ  
 TEMPERATURE RANGE: -40°C TO 85°C  
 MECHANICAL DURABILITY: 500 CYCLES  
 FOR FSJ4-50B, SCF12-50J, SPF & SP0-500 CABLE

#	DESCRIPTION	QTY	MATERIAL	FINISH
8	COUPLING NUT	1	BRASS	WHITE BRONZE
7	O-RING	1	RUBBER	---
6	PRESS CAP	1	BRASS	WHITE BRONZE
5	O-RING	1	RUBBER	---
4	RETAINING RING	1	SST	PASSIVATED
3	PIN	1	BRASS	SILVER
2	INSULATOR	1	PTFE	---
1	BODY	1	BRASS	WHITE BRONZE

CUSTOMER OUTLINE DRAWING ALL DIMENSIONS ARE REFERENCE ONLY UNLESS OTHERWISE SPECIFIED: DIMENSIONS ARE IN INCHES AND [MILLIMETERS]	
DRAWN C. ZUNIGA CHECKED	10/19/19
DRW C. ZUNIGA	10/19/19

**ROHS COMPLIANT**

PROPRIETARY AND CONFIDENTIAL  
 THIS DRAWING CONTAINS  
 INFORMATION PROPRIETARY TO  
 RF INDUSTRIES. ANY  
 UNAUTHORIZED USE OF THIS  
 DRAWING IS EXPRESSLY  
 PROHIBITED WITHOUT WRITTEN  
 PERMISSION FROM RF  
 INDUSTRIES. ANY VIOLATION IS  
 PUNISHABLE UNDER U.S.  
 COPYRIGHT LAWS.

**RF Industries**  
 DIVISION OF RF INDUSTRIES, LTD. (858) 549-6345 FAX

RRINDUSTRIES.COM  
 7610 MIRAMAR RD.  
 SAN DIEGO, CA 92126  
 (858) 549-6340

**4.1/9.5 MALE R/A**  
 FOR 1/2" SUPERFLEX CORRUGATED CABLE

CABLE GROUP DWG #  
**RFD-4195MRA-H4**

REVISION  
 —

FORMAT SCALE CONTROL # SHEET 1 OF 1

USE OF CABLE TRIM TOOL IS RECOMMENDED  
 USE COMPATIBLE TRIM TOOL SUCH AS TRIM-SET-S12-D01