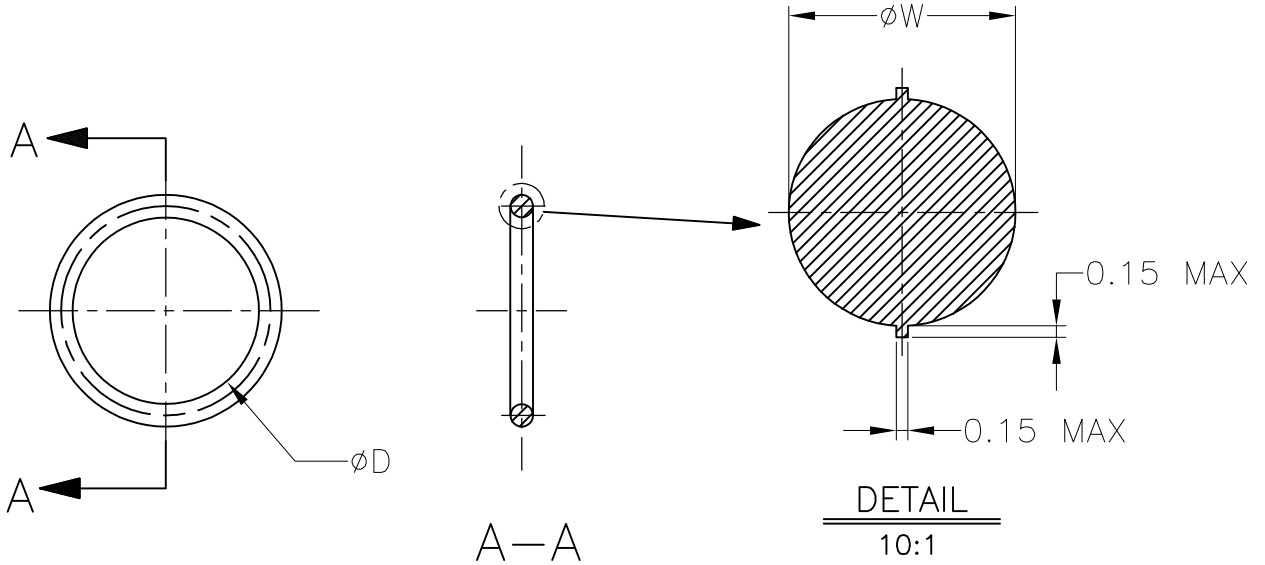


LOC J	DIST —	REVISIONS			
P	LTR	DESCRIPTION	DATE	DWN	APVD
	A	RELEASED	06AUG14	DM	TK



- 1. 本品はキャップハウジングに使用される。
- 2. 適用製品規格 108-5136
- △ 材料;NBR フタル酸フリー

- 1. TO BE USED CAP HOUSING.
- 2. PRODUCT SPEC. 108-5136
- △ MATERIAL; NBR NON-BIS TYPE

0.8g	BLACK	NBR △	172281	12	24.7±0.2	3.0±0.1	2822397-5
0.2g	BLACK	NBR △	172196	1	10.4±0.2	2.0±0.1	2822397-4
0.3g	BLACK	NBR △	172199,172202	2, 3	14.8±0.2	2.4±0.1	2822397-3
0.3g	BLACK	NBR △	172205	4	15.8±0.2	2.4±0.1	2822397-2
0.5g	BLACK	NBR △	172192	8	19.5±0.2	2.6±0.1	2822397-1
WEIGHT	COLOR	MATERIAL	CAP HSG. P/N	Pos.	D	W	PART No.

THIS DRAWING IS UNPUBLISHED.

ALL RIGHTS RESERVED.

COPYRIGHT 2014 By Tyco Electronics Japan C.K.

DIMENSIONS: mm	DWN D.MATSUURA	06AUG2014	MATERIAL	SEE TABLE	FINISH	SEE TABLE
	CHK S.IWATANI	06AUG2014	TE Connectivity			
TOLERANCES UNLESS OTHERWISE SPECIFIED:	APVD T.KOHNO	06AUG2014				
	0 PLC ± -	PRODUCT SPEC	—	SIZE	CAGE CODE	DRAWING NO
1 PLC ± -	APPLICATION SPEC	—	A4	00779	C-2822397	—
2 PLC ± -	WEIGHT	SEE TABLE	CUSTOMER DRAWING			
3 PLC ± -			SCALE	1:1	SHEET	1 OF 1
4 PLC ± -						REV A
ANGLES ± -						