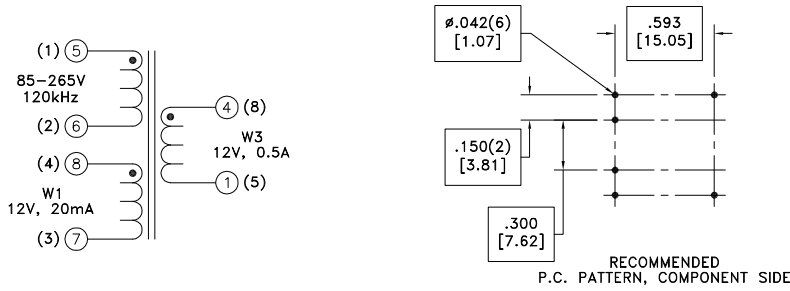
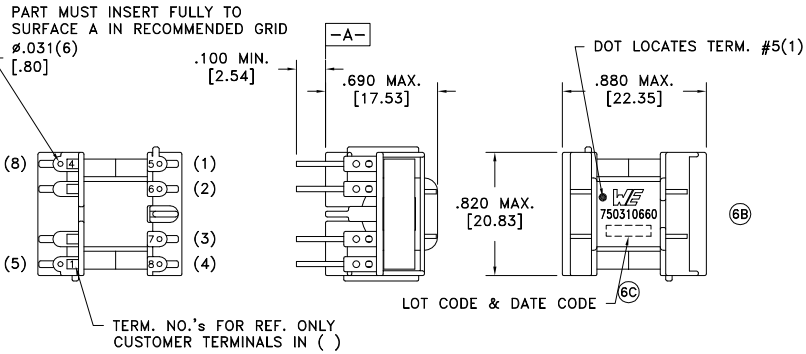


CUSTOMER TERMINAL	RoHS	LEAD(Pb)-FREE
Sn96%, Ag4%	Yes	Yes



ELECTRICAL SPECIFICATIONS @ 25°C unless otherwise noted:

PARAMETER	TEST CONDITIONS	VALUE
D.C. RESISTANCE	5-6 @20°C	2.00 ohms ±10%
D.C. RESISTANCE	8-7 @20°C	0.400 ohms ±10%
D.C. RESISTANCE	4-1 @20°C	0.060 ohms ±20%
INDUCTANCE	5-6 10kHz, 50mVAC, Ls	1.20mH ±10%
LEAKAGE INDUCTANCE	5-6 tie(1+4, 7+8), 10kHz, 50mVAC, Ls	42uH max., 30uH typ.
DIELECTRIC	1-5 4500VAC, 1 second	3600VAC, 1 minute
DIELECTRIC	5-8 2500VAC, 1 second	2000VAC, 1 minute
TURNS RATIO	(5-6):(8-7)	7.87:1, ±1%
TURNS RATIO	(5-6):(4-1)	7.87:1, ±1%



(6C) Wire insulation & RoHS status not affected by wire color.
Wire insulation color may vary depending on availability.

REV.	DATE	Packaging Specifications Method: Tray PKG-0058 www.we-online.com/midcom		Tolerances unless otherwise specified: Angles: ±1° Fractions: ±1/64 Decimals: ±.005 [0.13] Footprint: ±.001 [0.03]	DRAWING TITLE TRANSFORMER	PART NO. 750310660
6C	8/16			This drawing is dual dimensioned. Dimensions in brackets are in millimeters.	eiSos p/n: 750310660	compliant RoHS
6B	5/10					
6A	11/08	SEE REVISION SHEET FOR REVISION LEVEL				