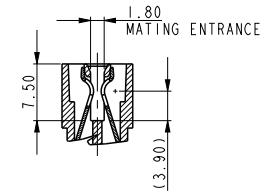
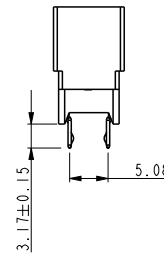
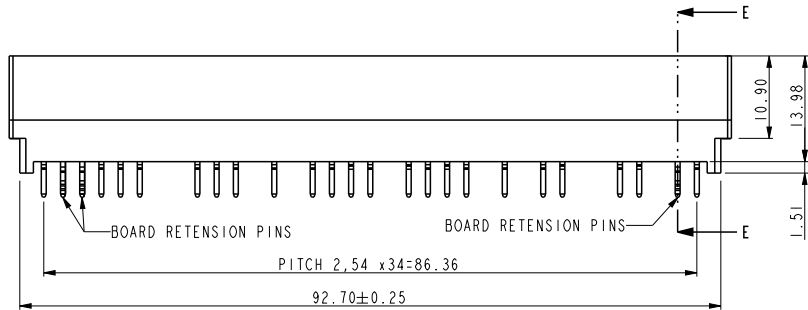
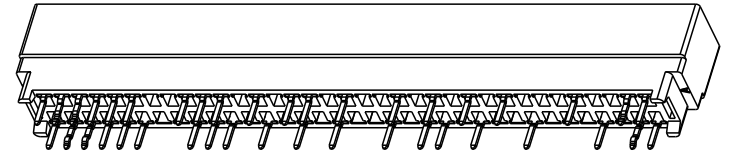
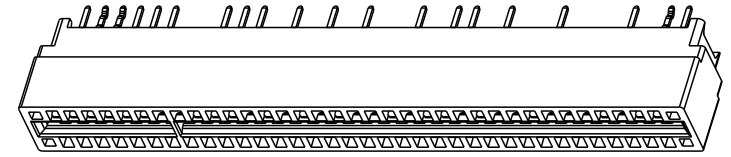
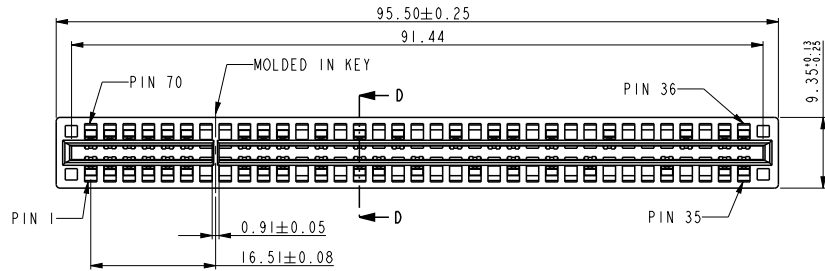


PRODUCT NO
10046971-042LF



- NOTE:
 1. Material:
 HOUSING: HIGH TEMPERATURE THERMOPLASTIC,
 UL 94 V-0 FLAME RETARDANT.
 TERMINAL: HIGH CONDUCTIVITY COPPER ALLOY.
 PLATING SPEC AS BELOW:
 Ni 50u" UNDER PLATED.
 Au 30u" OVER CONTACT AREA.(ONE SIDE)
 Matte Tin 120u" OVER SOLDERING AREA.
 2. PACKING SPEC. GS-14-937
 3. PRODUCT SPEC. GS-12-338.
 4. P7, 8, 12, 14, 17, 19, 20, 22, 24, 26, 28, 29, 30, 32, 33,
 P38, 40, 41, 42, 44, 45, 47, 50, 52, 53, 55, 57, 59, 63, 64 OMITTED.

spec ref	*	dr	Julia Wang	2013/02/26	projection	MM	size	A4	scale	1.000
tolerance std	TOLERANCES UNLESS OTHERWISE SPECIFIED	eng	Julia Wang	2013/10/21		←→	ecn no	ELX-DG-16097-1		
ASME Y14.5		chr	-	-				rel level	Released	
surface	linear	appr	Pei-Ming Zheng	2013/10/24	product family		rel level	Released		
ASME Y14.5	0.X	±0.50		title	VERTICAL TYPE 35PX2	dwg no	10046971-042	rev	B	
	0.XX	±0.25								
0.XXX	±0.13									
ASME Y14.5	angular	0°	±3°	www.fci.com	cat. no.	*	Product - Customer Drw	sheet 1 of 2		



Copyright FCI.

A

B

C

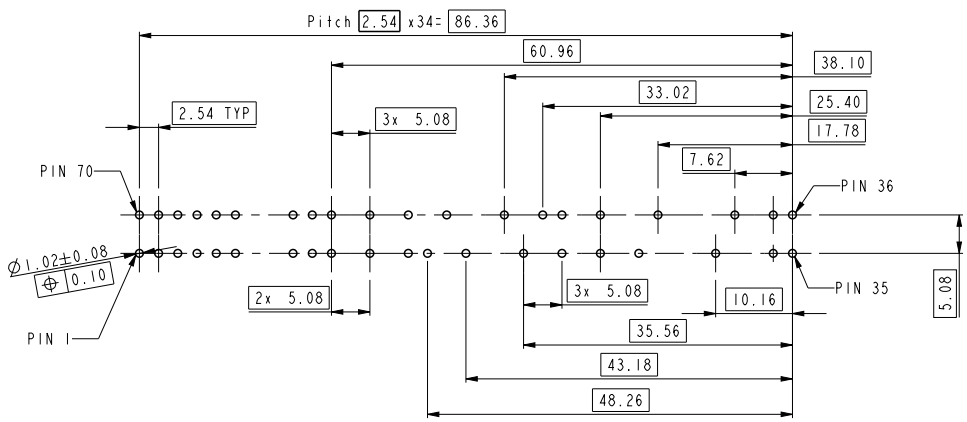
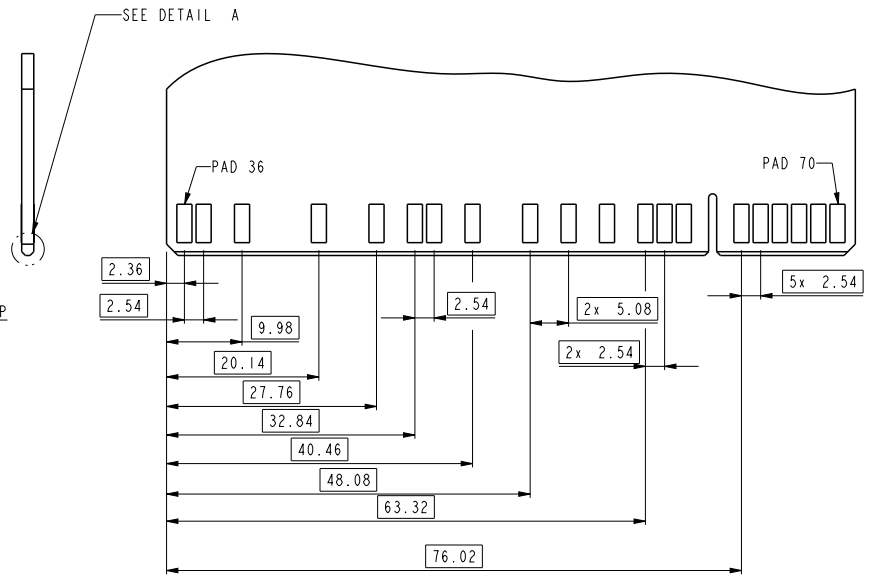
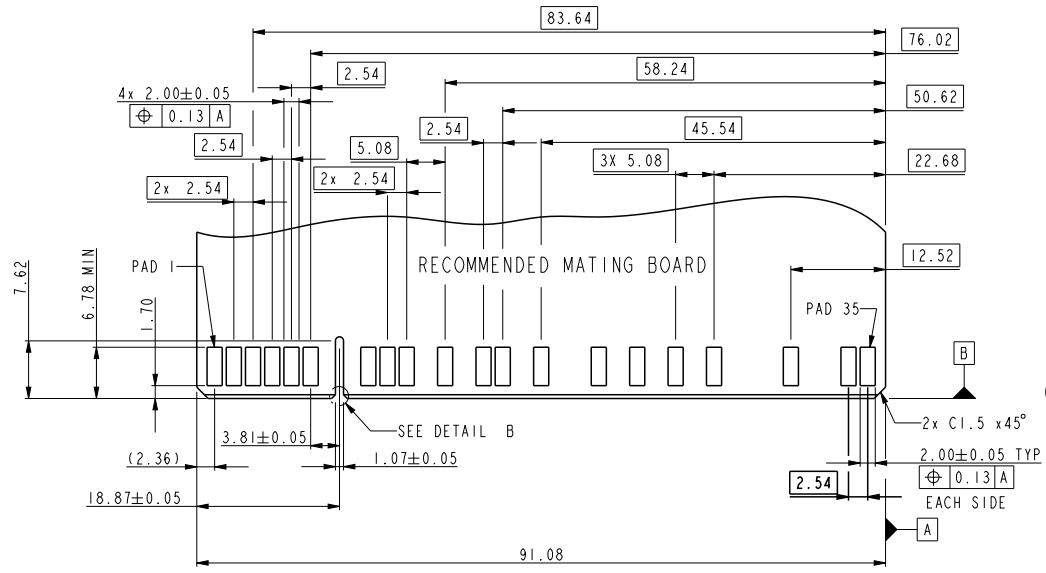
D

A

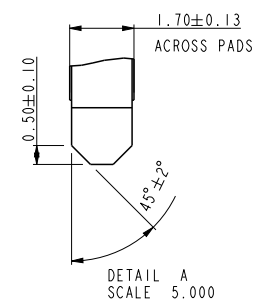
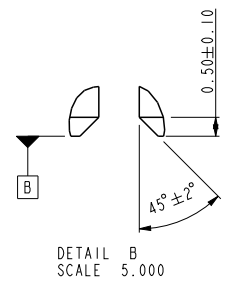
B

C

D



RECOMMENDED PC BOARD LAYOUT AND THE THICKNESS IS 2.36mm



dr	Julia Wang	2013/02/26	projection 	MM ←→	size	A4	scale	1.000
eng	Julia Wang	2013/10/21			ecn no	ELX-DG-16097-1		
chr	-	-			rel level	Released		
appr	Pei-Ming Zheng	2013/10/24	product family		rev			
		title			dwg no		rev	
www.fci.com		VERTICAL TYPE 35PX2 POWER EDGE CARD CONNECTOR			10046971-042		B	
cat. no.		*			Product - Customer Drw		sheet 2 of 2	