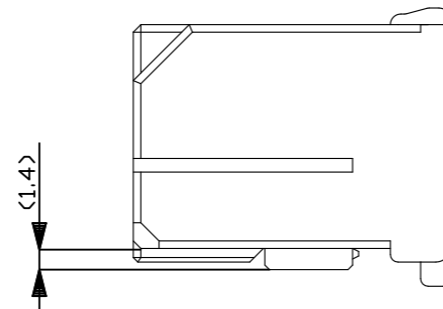
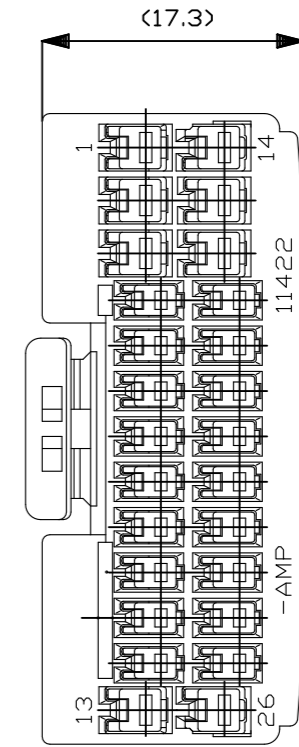
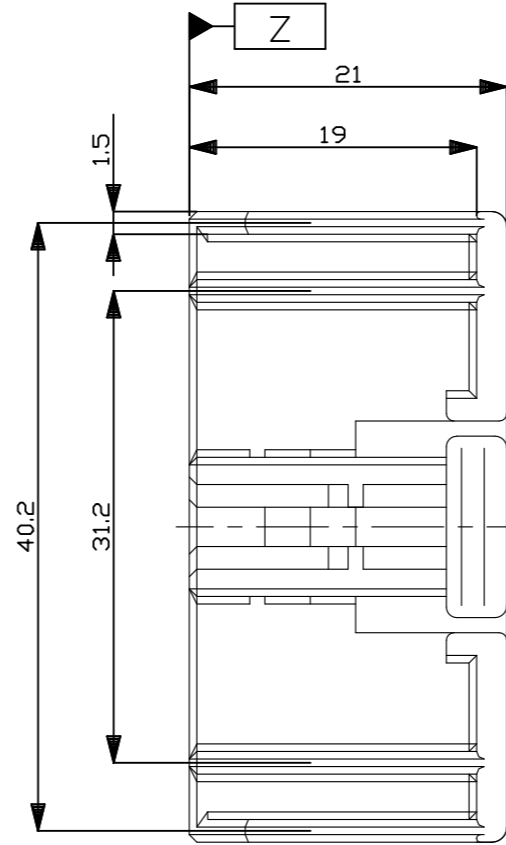
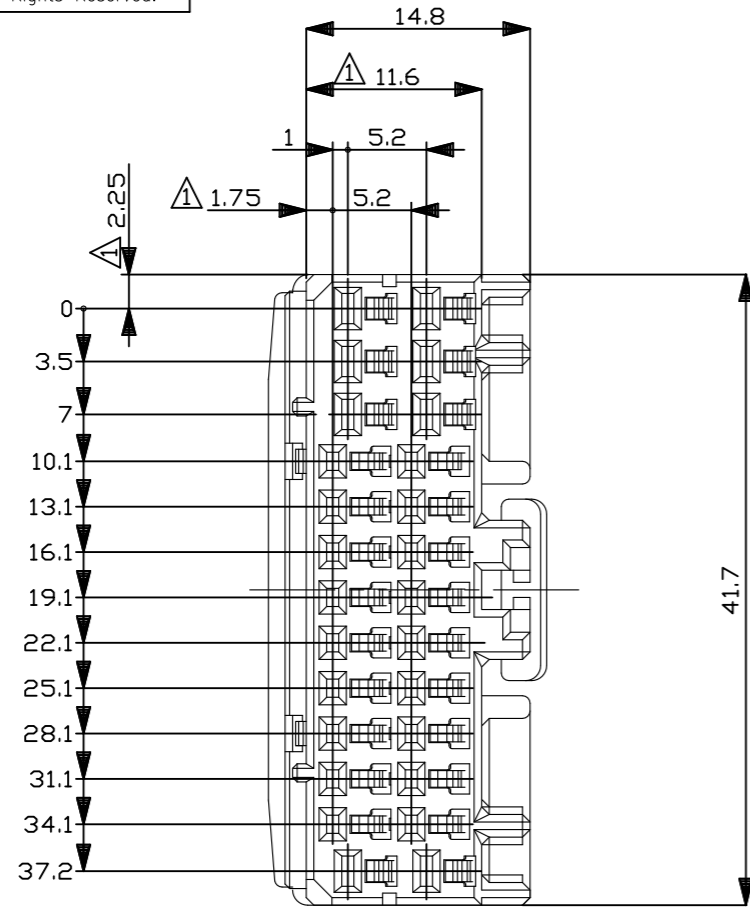


P	LTR	DESCRIPTION	DATE	DWN	APVD
	B1	REVISED PER ECR-23-165252	02FEB2023	RK	MT



NOTES;

- MUST BE KEPT BETWEEN [Z] AND 2mm.
- THE MATING CAP HOUSING PART NUMBER;176206,178900
- APPLIED CONTACT PART NUMBER .040:175265,175266
.070:175275,175276,175268,175269
- APPLICABLE PRODUCT SPEC;108-5342

RETAINER COLOR: ALL WHITE

注:

- [Z] 面より2mmの範囲で測定
- 嵌合相手ハウジング型番: 176206, 178900
- 内装するリセプタクル型番: .040端子: 175265, 175266
.070端子: 175275, 175276, 175268, 175269
- 適用製品規格番号: 108-5342
- リテーナは全て白色

	淡灰 (LIGHT GRAY)	6-917997-6
	橙 (ORANGE)	917997-8
OBSOLETE	灰 (DARK GRAY)	917997-6
	緑 (GREEN)	917997-4
OBSOLETE	黒 (BLACK)	917997-2
	白 (WHITE)	917997-1
	色 (COLOR)	型番 (P/N)

THIS DRAWING IS A CONTROLLED DOCUMENT.		DWN T.SHINOHARA 5/22'95	TE Connectivity .040/.070 HYBRID I/O CONN. MK-II 26Pos. PLUG HOUSING(FOR 3 ROW)					
DIMENSIONS: mm		CHK D.MATSUURA 5/19'95				NAME		
TOLERANCES UNLESS OTHERWISE SPECIFIED:		APVD A.TOMITA 5/22'95				PRODUCT SPEC		
0 PLC ± - 1 PLC ± - 2 PLC ± - 3 PLC ± - 4 PLC ± - ANGLES ± -		APPLICATION SPEC						
MATERIAL PBT		FINISH SEE TABLE	WEIGHT -	SIZE A3	CAGE CODE 00779	DRAWING NO C-917997	RESTRICTED TO -	
CUSTOMER DRAWING			SCALE 2:1	SHEET 1 OF 1	REV B1			

一般公差 (GENERAL TOLERANCE)	
10以下	±0.2
10~30	±0.25
30~100	±0.3
角	±3°