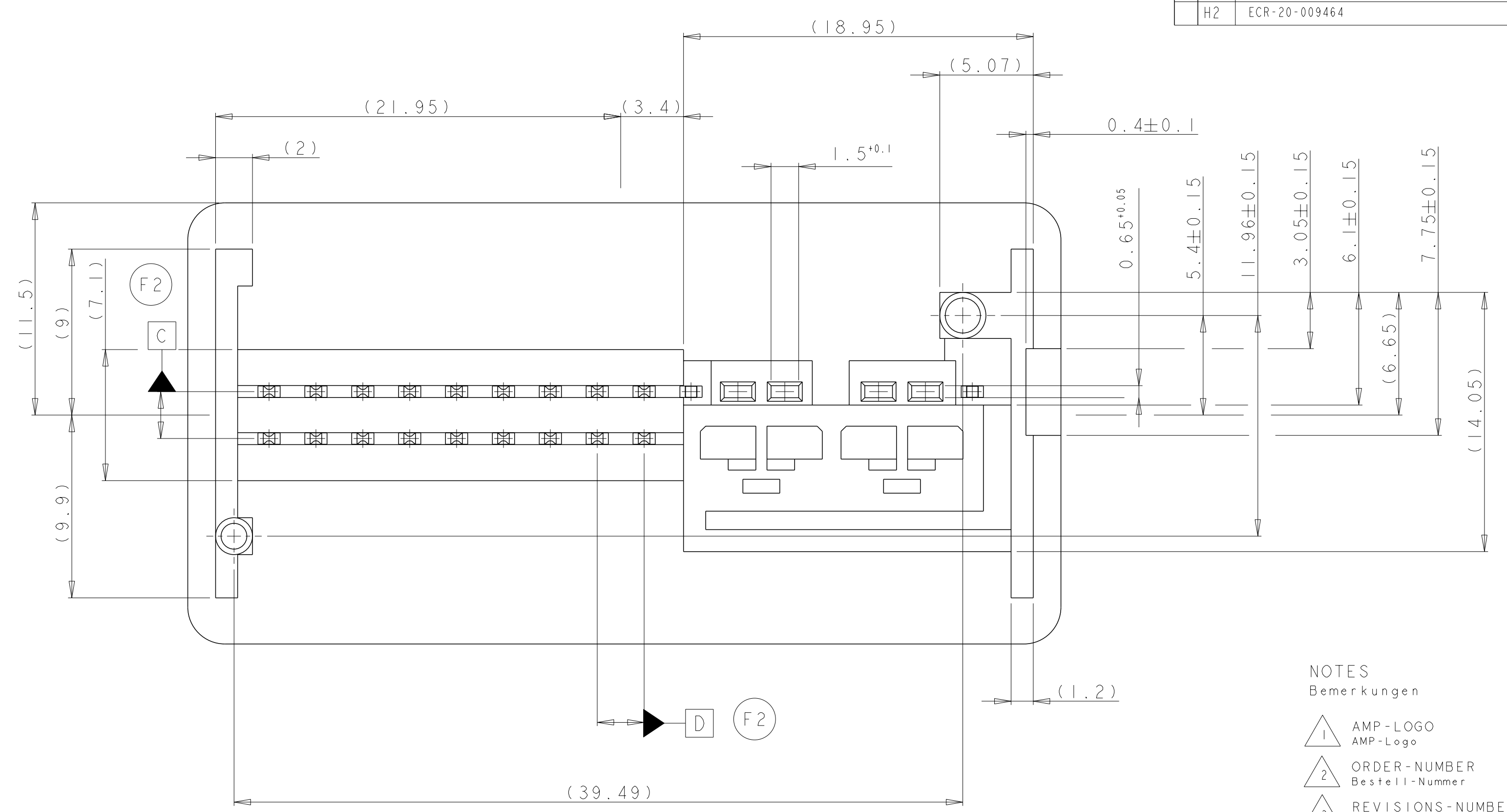
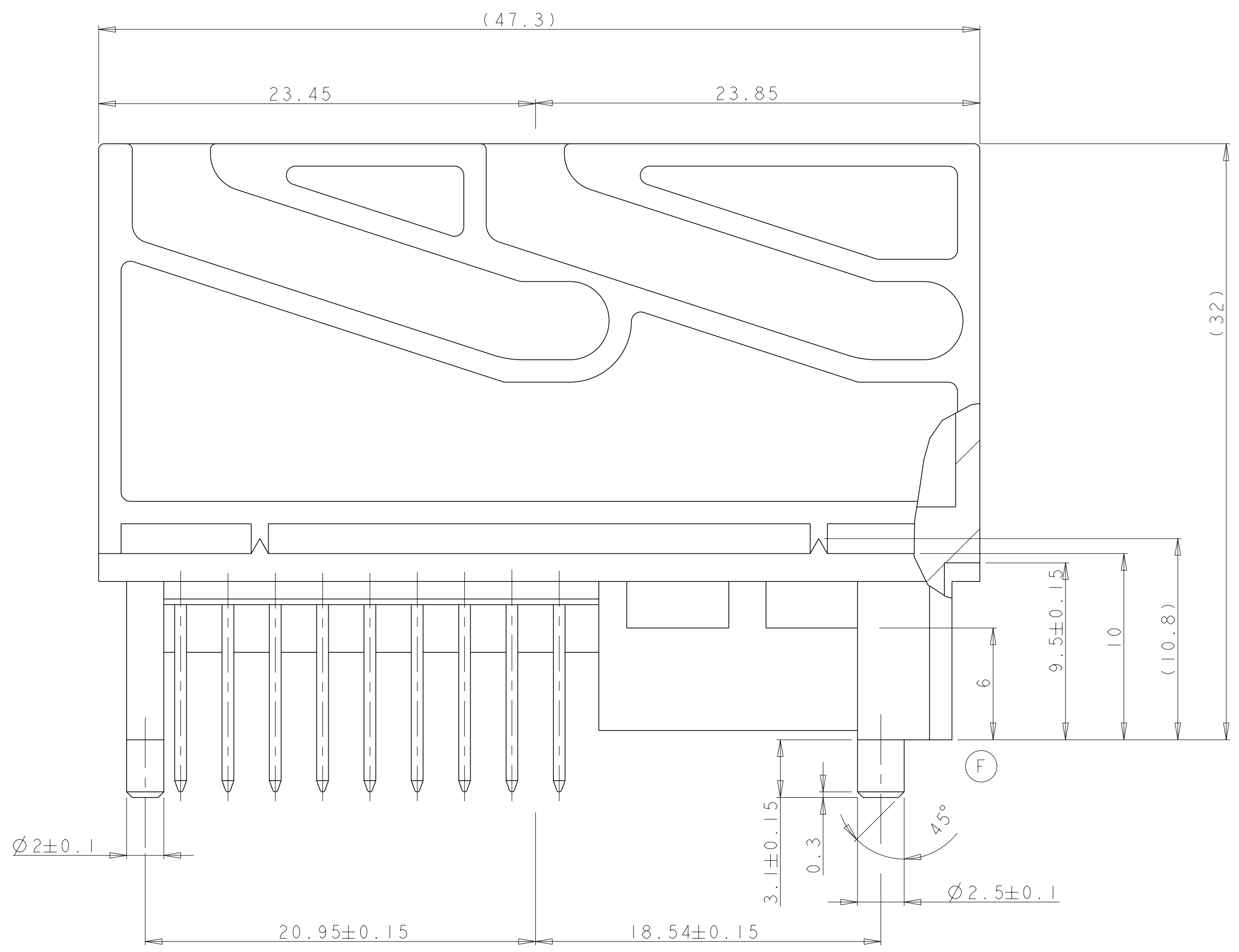
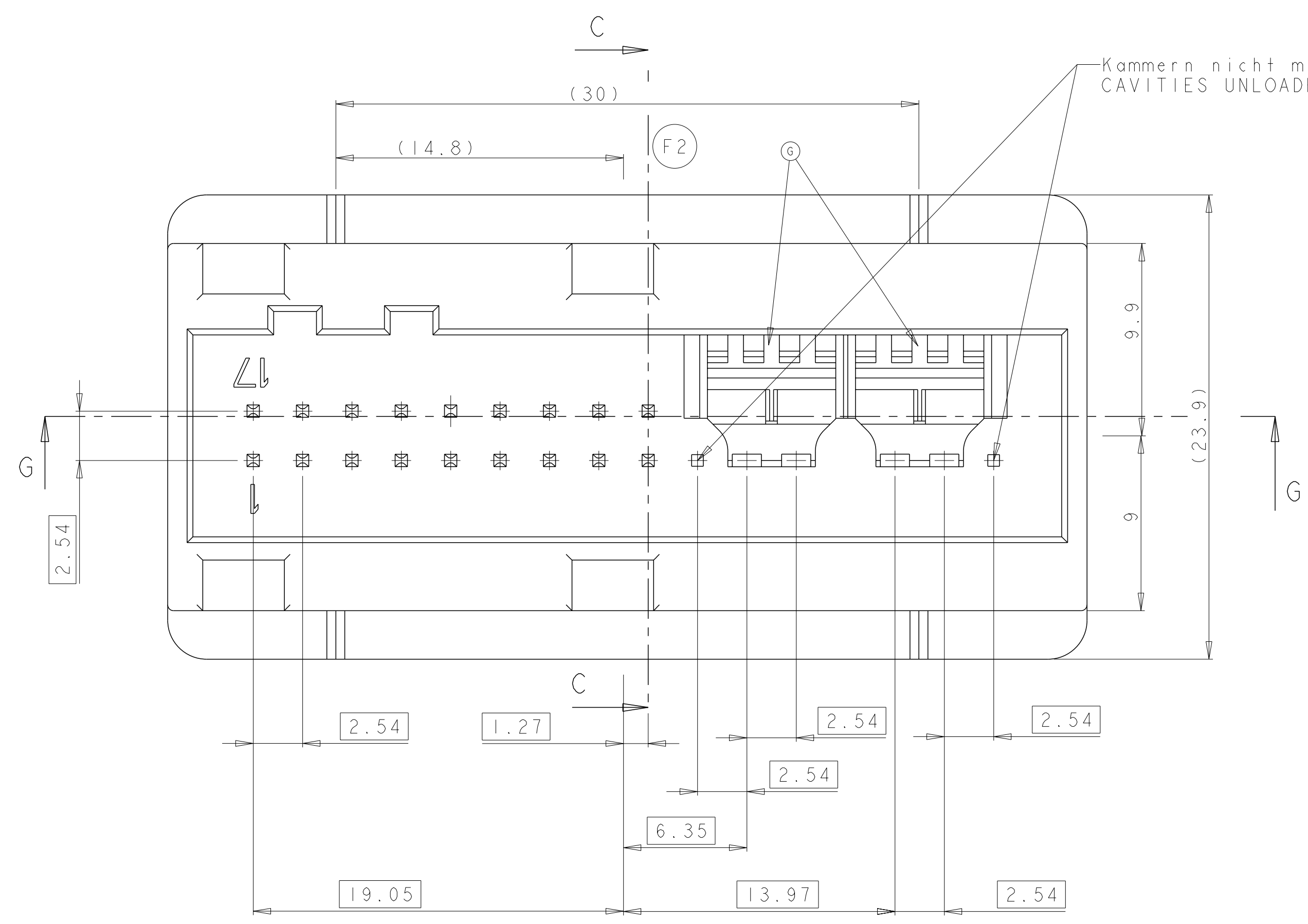


PROJEKT NO.  
 A98-52140  
 B909529

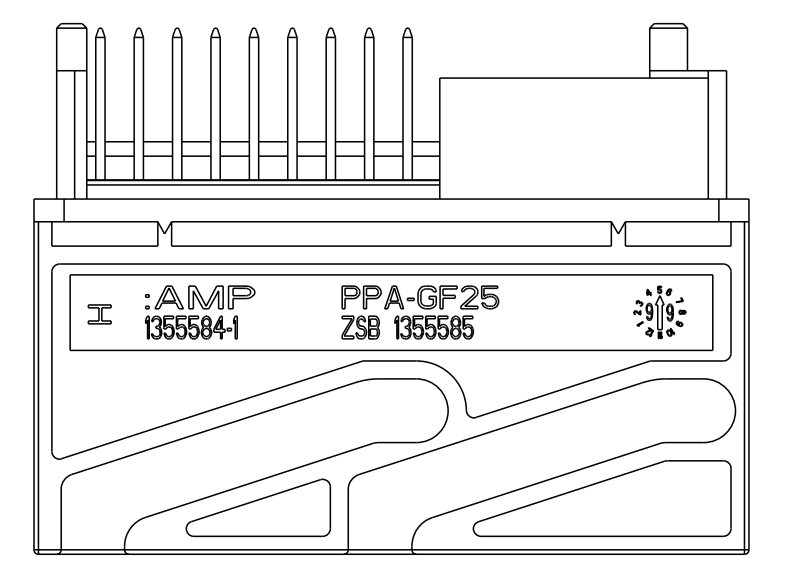
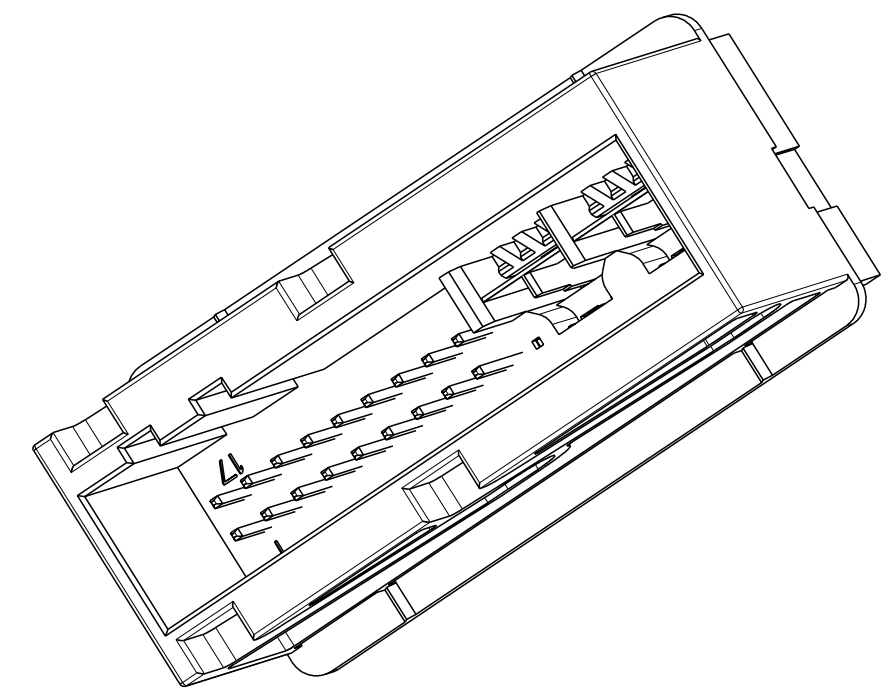
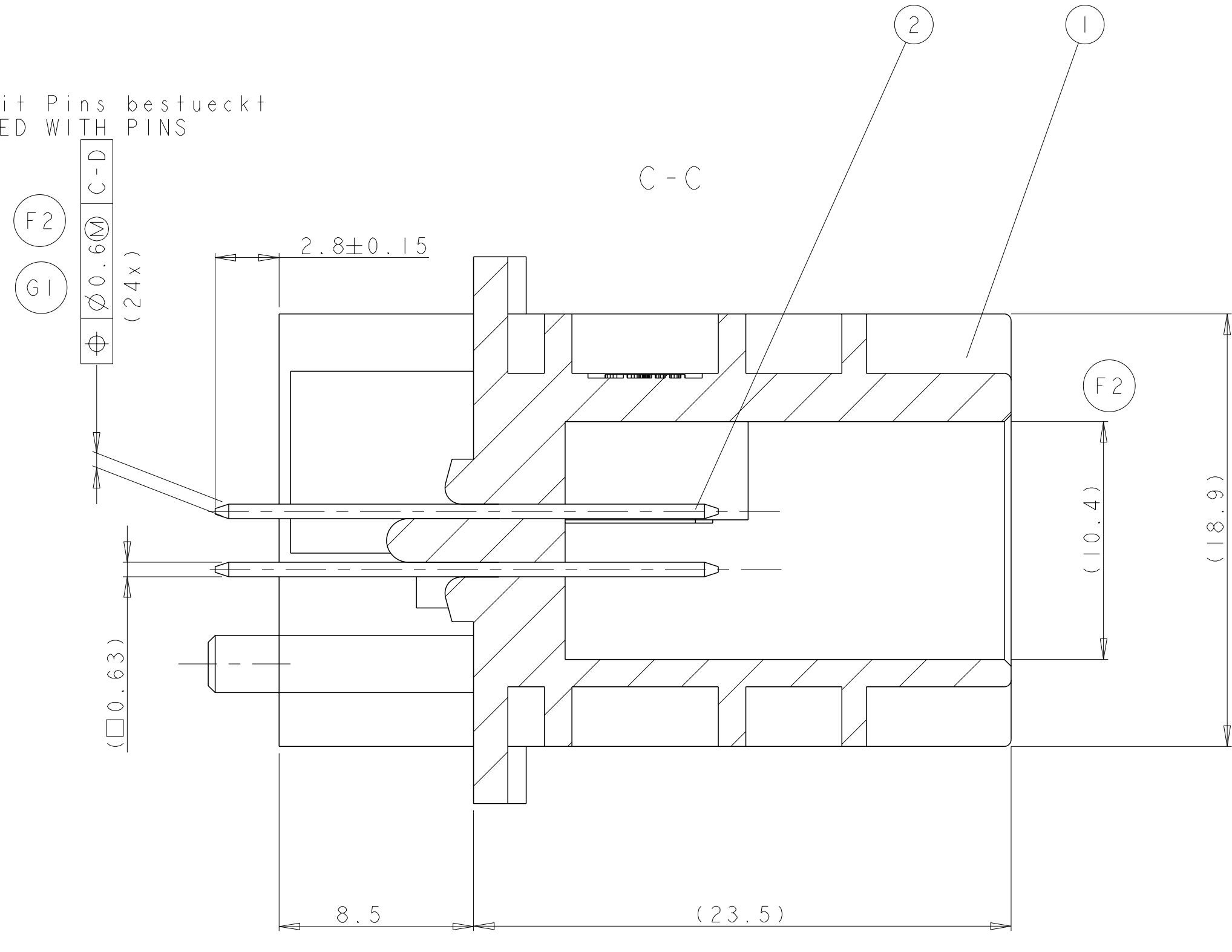
REV. NO.		DESCRIPTION	DATE	BY	CHK
G1	SEE PCN E-06-005377		06MAR2006	HSCB	VB
H	SEE E-06-018039		26JUL2006	SC	HSCB
H1	SEE E-06-020971		31AUG2006	SC	HSCB
H2	ECR-20-009464		08JUL2020	VKS	PT



- NOTES  
 Bemerkungen
- 1 AMP-LOGO  
AMP-Logo
  - 2 ORDER-NUMBER  
Bestell-Nummer
  - 3 REVISIONS-NUMBER  
Werkzeugaenderungsindex
  - 4 TOOL CAVITY MARKING  
Nestmarkierung
  - 5 CAVITY MARKING  
Kammernumerierung
  - 6 -
  - 7 MATERIAL MARKING  
Werkstoffkennzeichnung
  - 8 PRODUCTION-DATE  
Produktions-Datum



Kammern nicht mit Pins bestueckt  
 CAVITIES UNLOADED WITH PINS

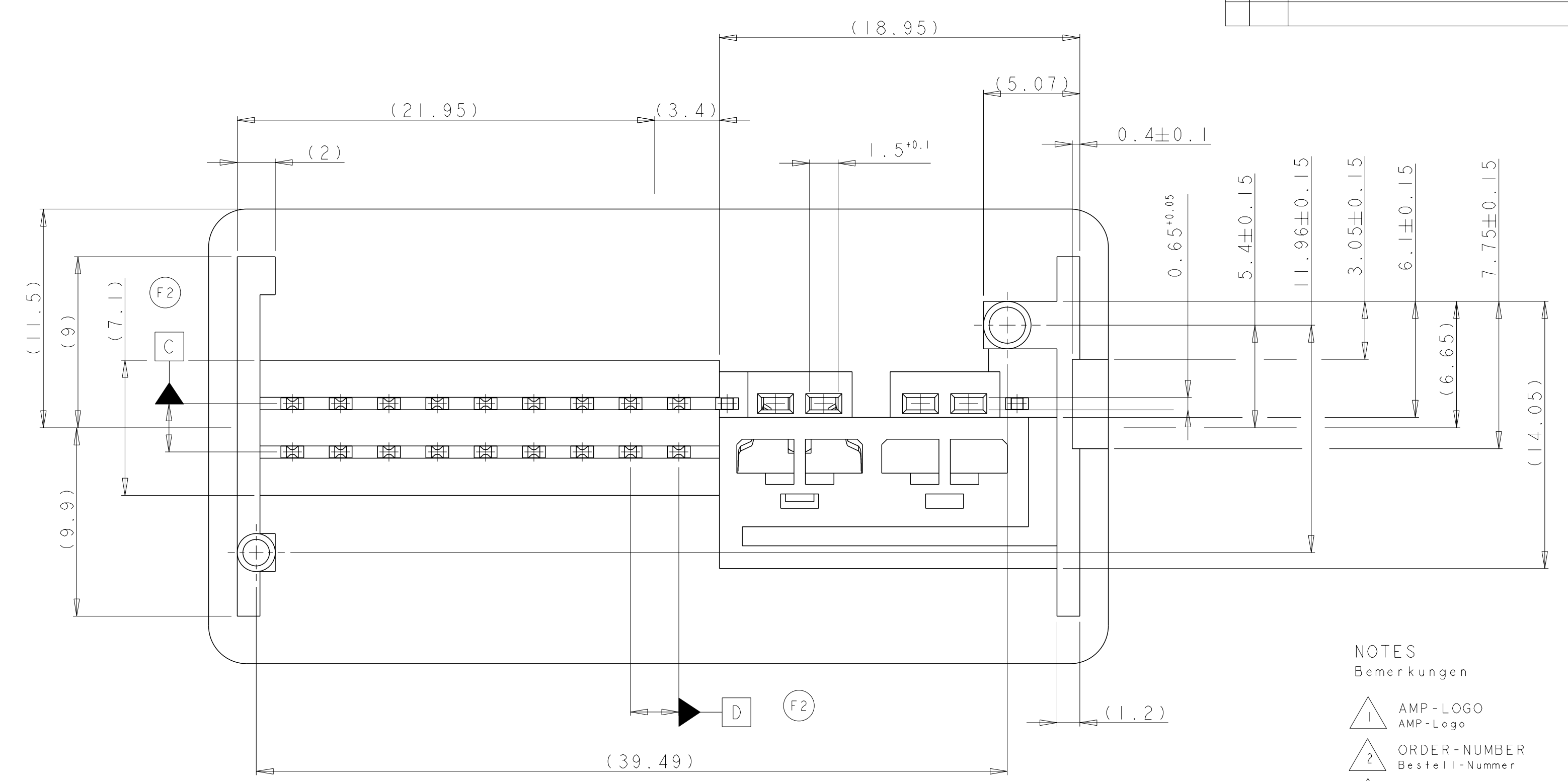
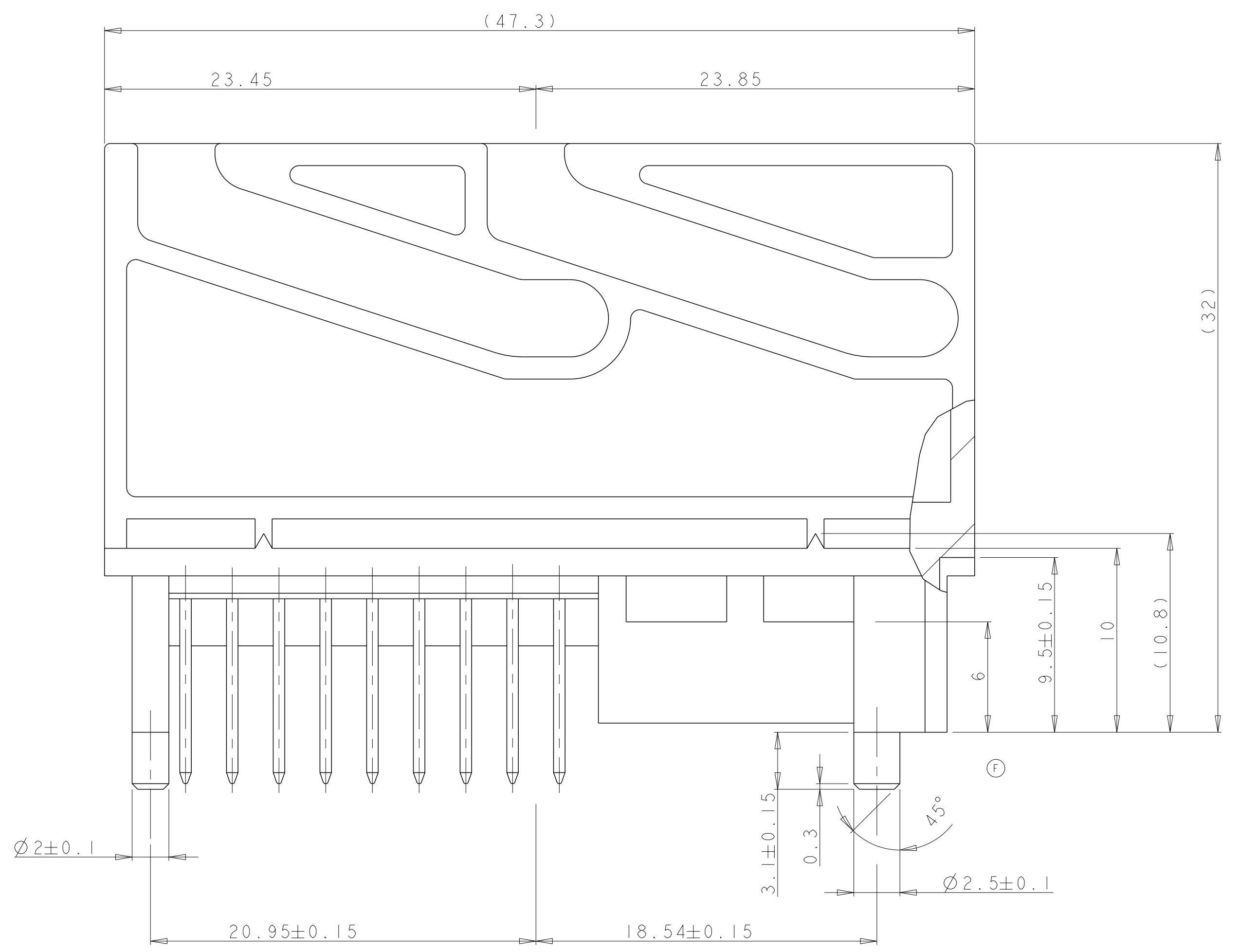


NUMBER	DESCRIPTION	DESCRIPTION
0-1241726-1	REC.-HOUSING FOR SHORT CIRCUIT BRIDGE	
0-1241719-1	COVER WITH SLIDE, 90° FOR SHORT CIRCUIT BRIDGE	
	COUNTERPARTS	GENGESTECKER

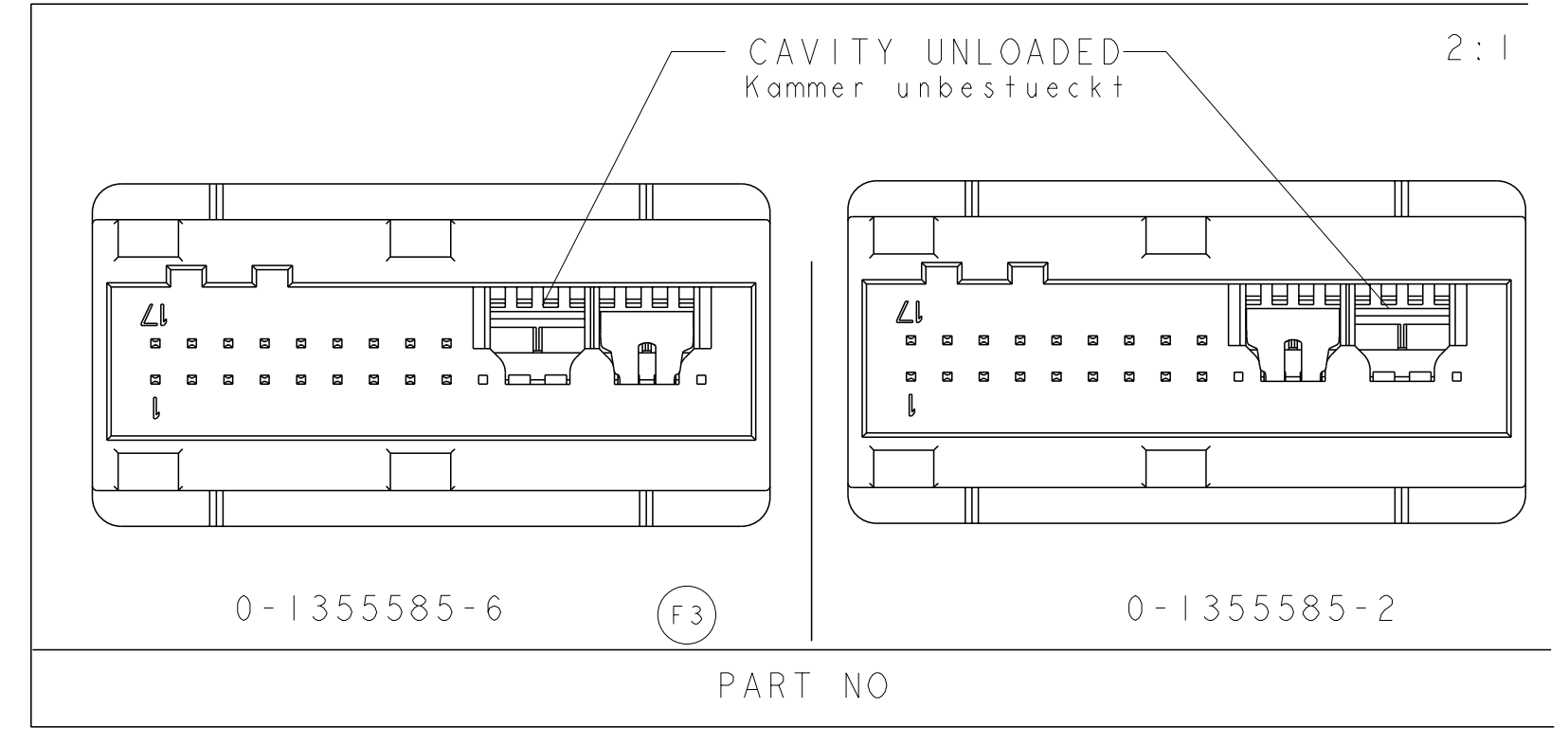
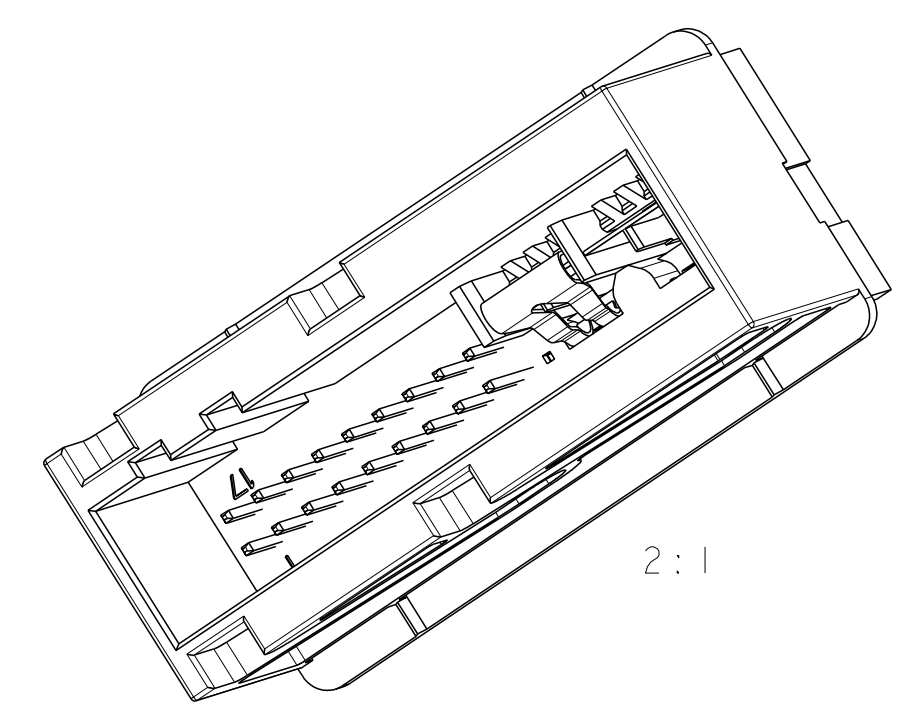
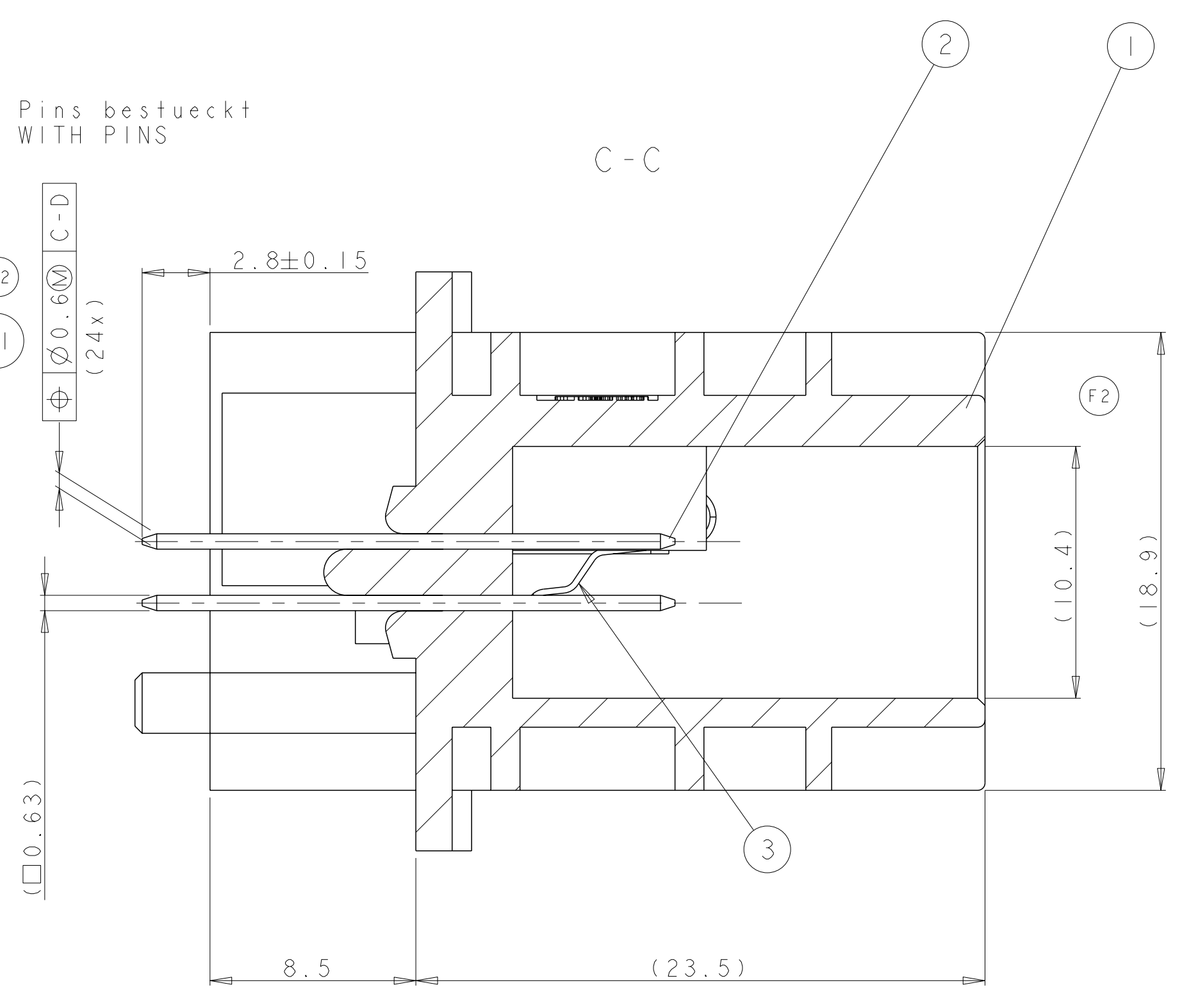
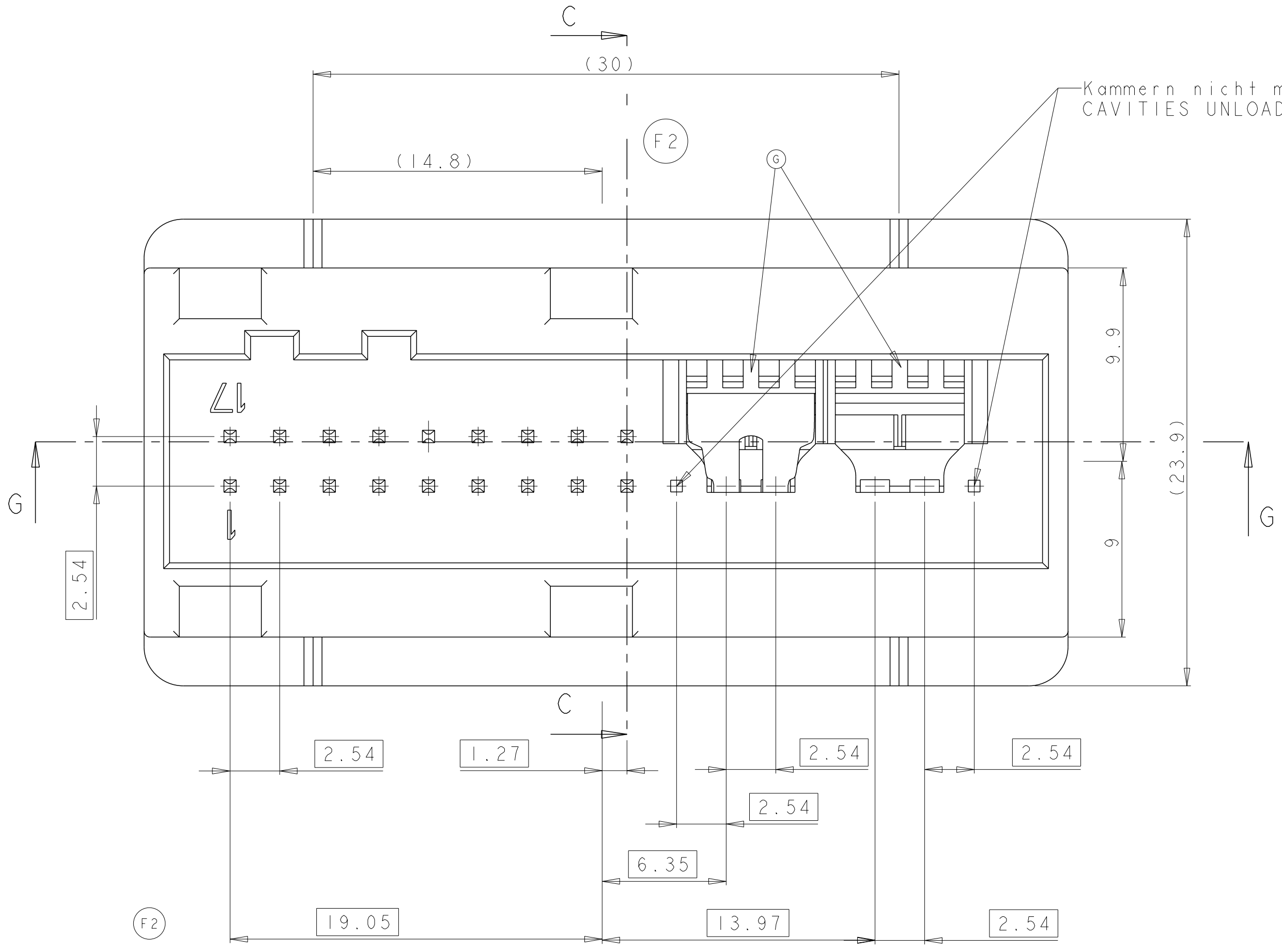
AMP PART NO.	REV.	DESCRIPTION	QTY.	MATERIAL	SURFACE	ITEM
0-1355585-1	H	AMP MODU II PIN	18	CuSn6	TIN PLATED	2
		PIN HEADER 18+4POS., COD. A	1	PPA-GF 25	BLACK	1

DIMENSIONS:		TOLERANCES UNLESS OTHERWISE SPECIFIED:		MATERIAL		FINISH	
0 PLC	±0.3	0 PLC	±0.3				
1 PLC	±0.3	1 PLC	±0.3				
2 PLC	±0.3	2 PLC	±0.3				
3 PLC	±0.3	3 PLC	±0.3				
4 PLC	±0.3	4 PLC	±0.3				
ANGLES	±2°						

CUSTOMER DRAWING		SCALE		SHEET		REV	
00779		5:1		4		H2	



- NOTES  
 Bemerkungen
- 1 AMP-LOGO  
AMP-Logo
  - 2 ORDER-NUMBER  
Bestell-Nummer
  - 3 REVISIONS-NUMBER  
Werkzeugaenderungsindex
  - 4 TOOL CAVITY MARKING  
Nestmarkierung
  - 5 CAVITY MARKING  
Kammernummerierung
  - 6 -
  - 7 MATERIAL MARKING  
Werkstoffkennzeichnung
  - 8 PRODUCTION-DATE  
Produktions-Datum



0-1241726-1	REC.-HOUSING FOR SHORT CIRCUIT BRIDGE
0-1241719-1	COVER WITH SLIDE, 90° FOR SHORT CIRCUIT BRIDGE
NUMBER NUMBER	DESCRIPTION BESCHREIBUNG
COUNTERPARTS GEGENSTECKER	

AS SHOWN  
 0-1355585-2  
 wie gezeichnet

(H)	0-1355585-6	C	SHORT CIRCUIT SPRING	1	X12CrNi177	>3.0µm Au selektiv am Kontaktpunkt	3
(F3)			AMP MODU II PIN	18	CuSn6	TIN PLATED	2
			PIN HEADER 18+4POS., COD. A	1	PPA-GF 25	BLACK	1
(H2)	0-1355585-2	H	SHORT CIRCUIT SPRING	1	X12CrNi177	>3.0µm Au selektiv am Kontaktpunkt	3
			AMP MODU II PIN	18	CuSn6	TIN PLATED	2
			PIN HEADER 18+4POS., COD. A	1	PPA-GF 25	BLACK	1
AMP PART NO. AMP Nummer	REV.	DESCRIPTION Beschreibung	QTY. Stck.	MATERIAL	SURFACE COLOR	ITEM NO.	

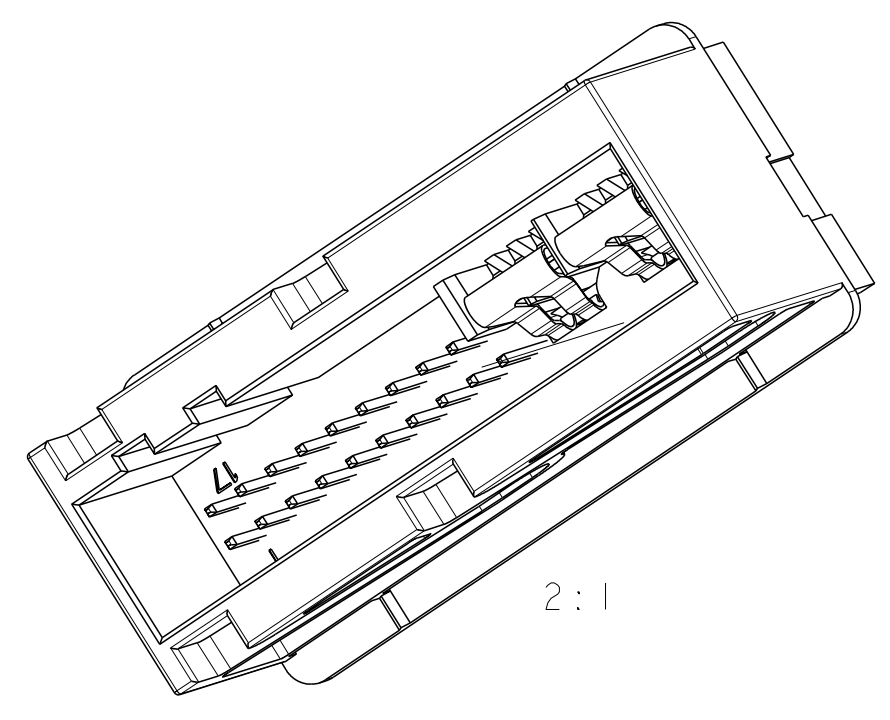
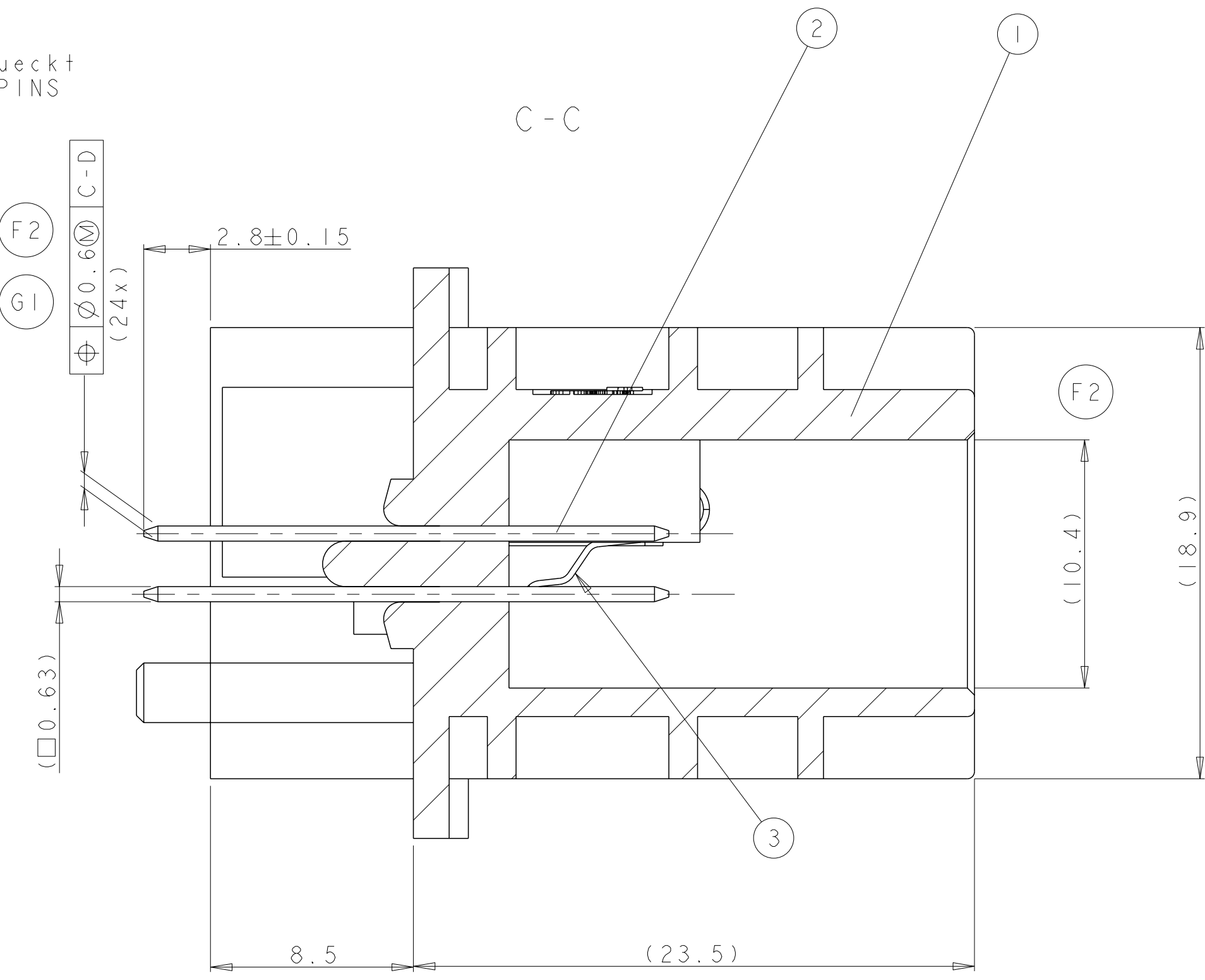
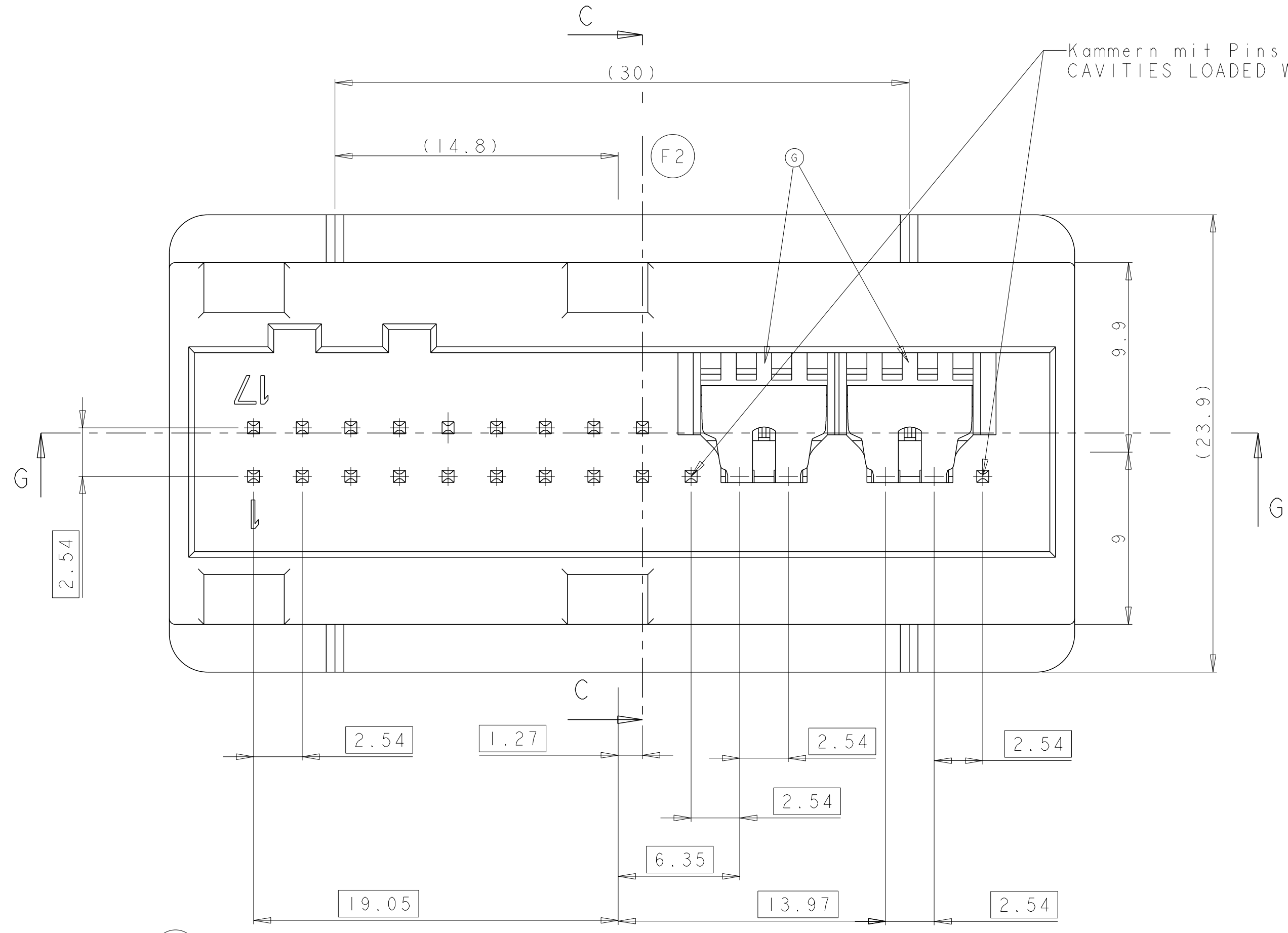
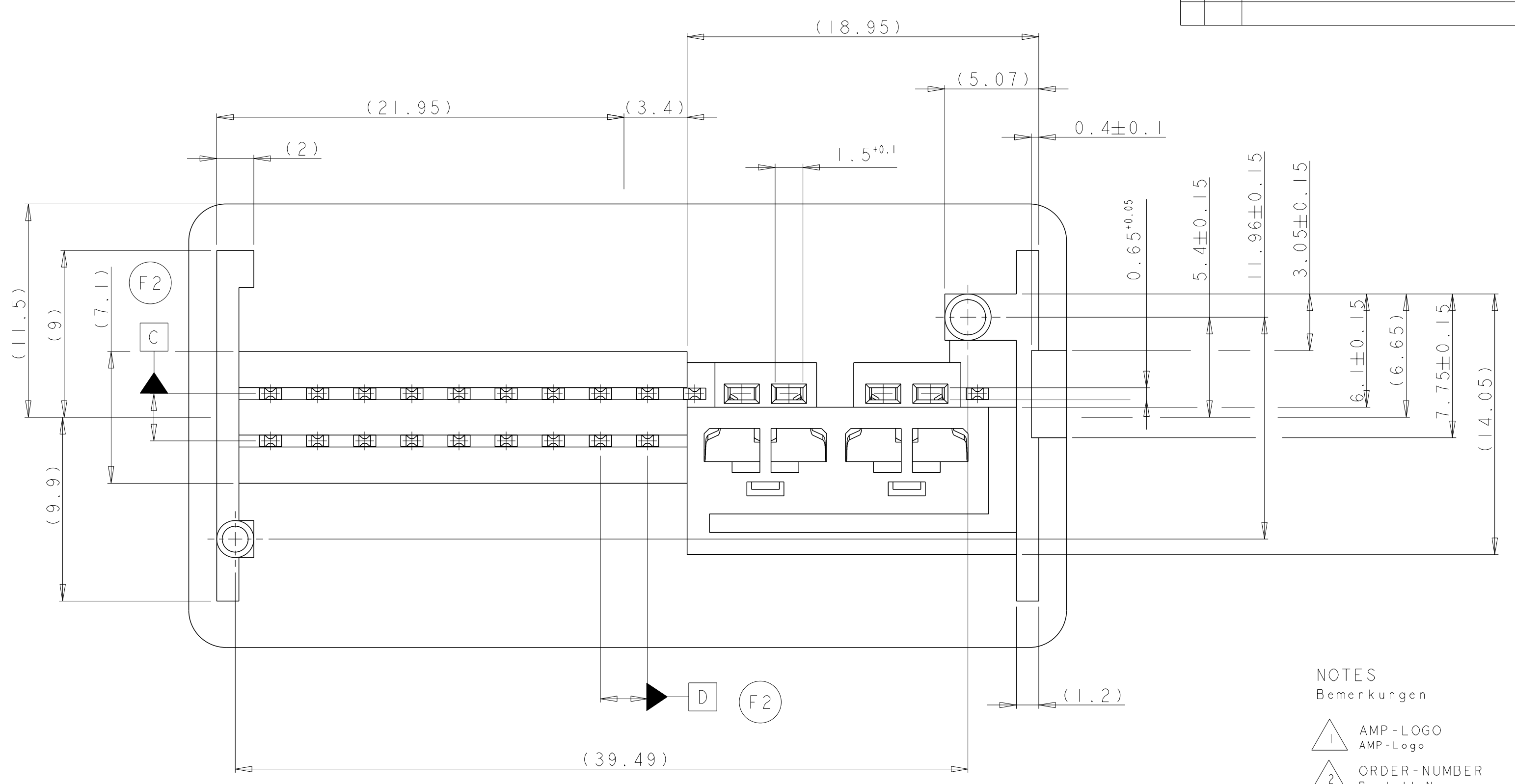
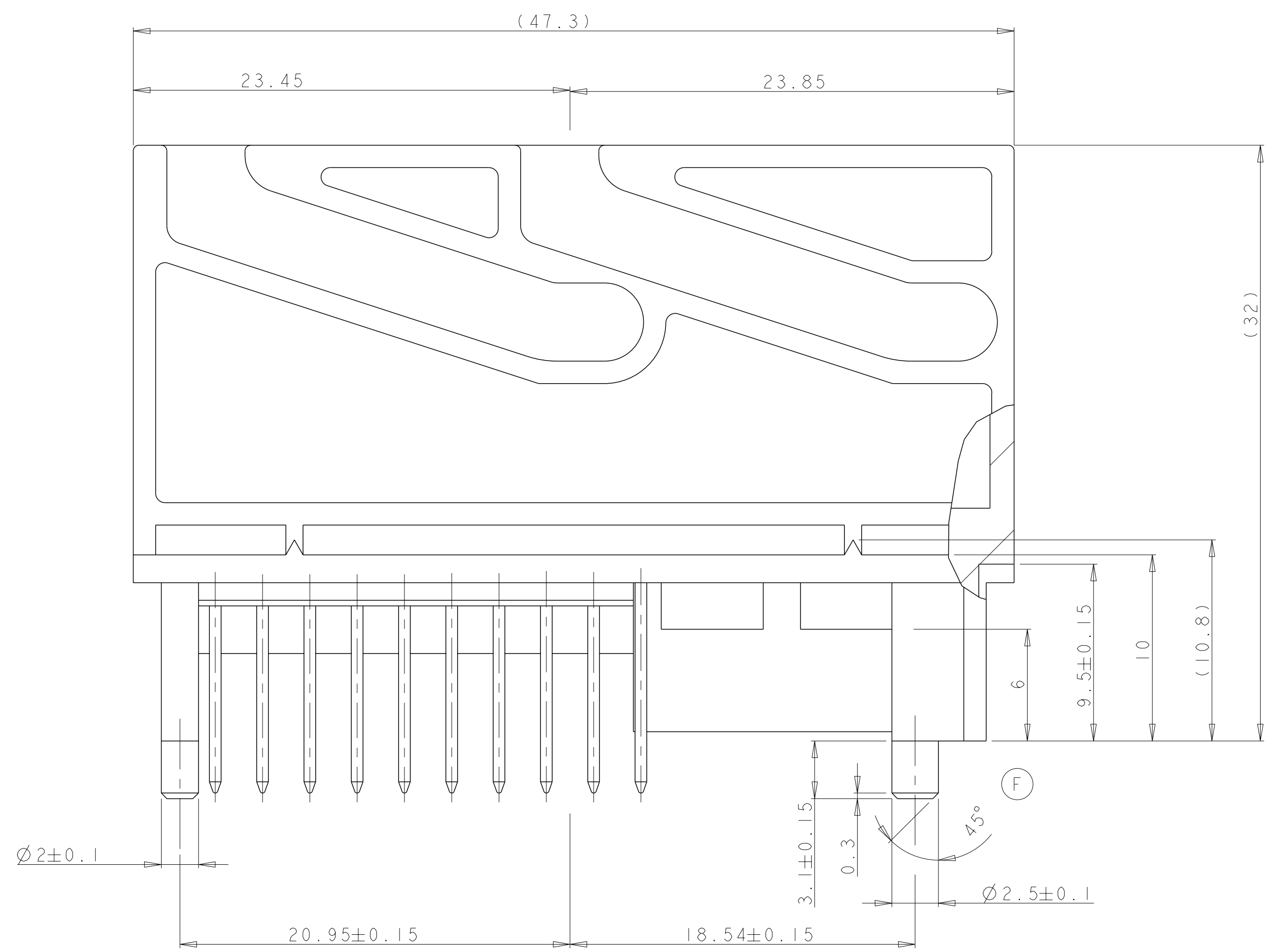
DIMENSIONS: mm  
 TOLERANCES UNLESS OTHERWISE SPECIFIED:  
 0 PLC ±0.3  
 1 PLC ±0.3  
 2 PLC ±0.3  
 3 PLC ±0.3  
 4 PLC ±0.3  
 ANGLES ±2°

DWN H. Schmitt 130CT00  
 CHK V. BERGMANN 10AUG01  
 APVD -  
 PRODUCT SPEC 108-18688-1  
 APPLICATION SPEC 114-18334-1  
 WEIGHT -  
 CUSTOMER DRAWING

AMP Tyco Electronics AMP GmbH  
 D - 63225 Langen  
 NAME 18+4POS. AMPMODU II PIN HEADER  
 18+4pol. AMPMODU II Stiftwanne  
 SIZE CAGE CODE DRAWING NO 00779  
 ©=1355585  
 RESTRICTED TO  
 SCALE 5:1 SHEET 2 OF 4 REV H2

PROJEKT NO.  
 A98-52140  
 B909529

REVISONS		DATE	DWN	APVD
P	LTR	DESCRIPTION		
-	-	SEE SHEET 1	-	-
-	-		-	-
-	-		-	-



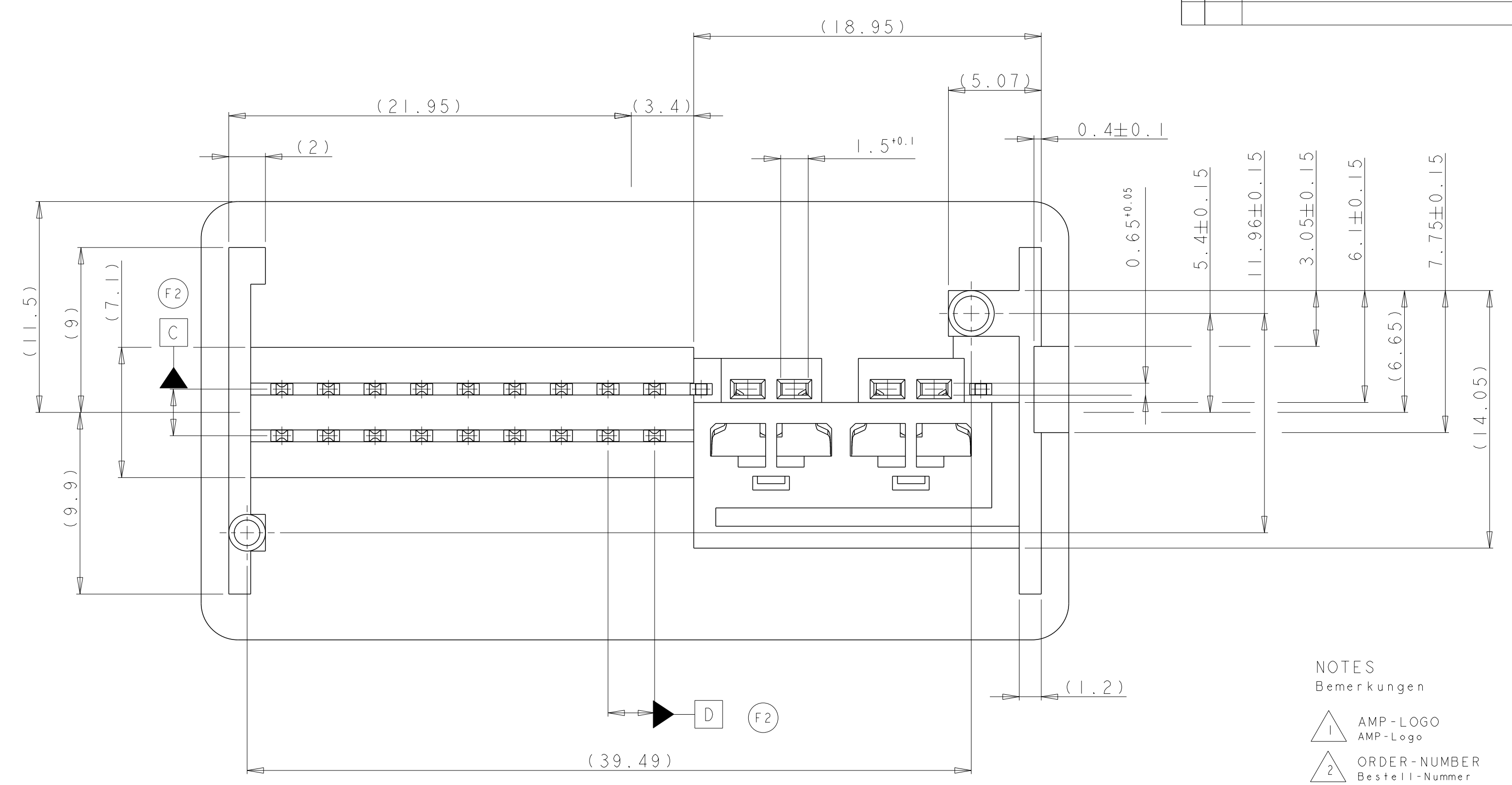
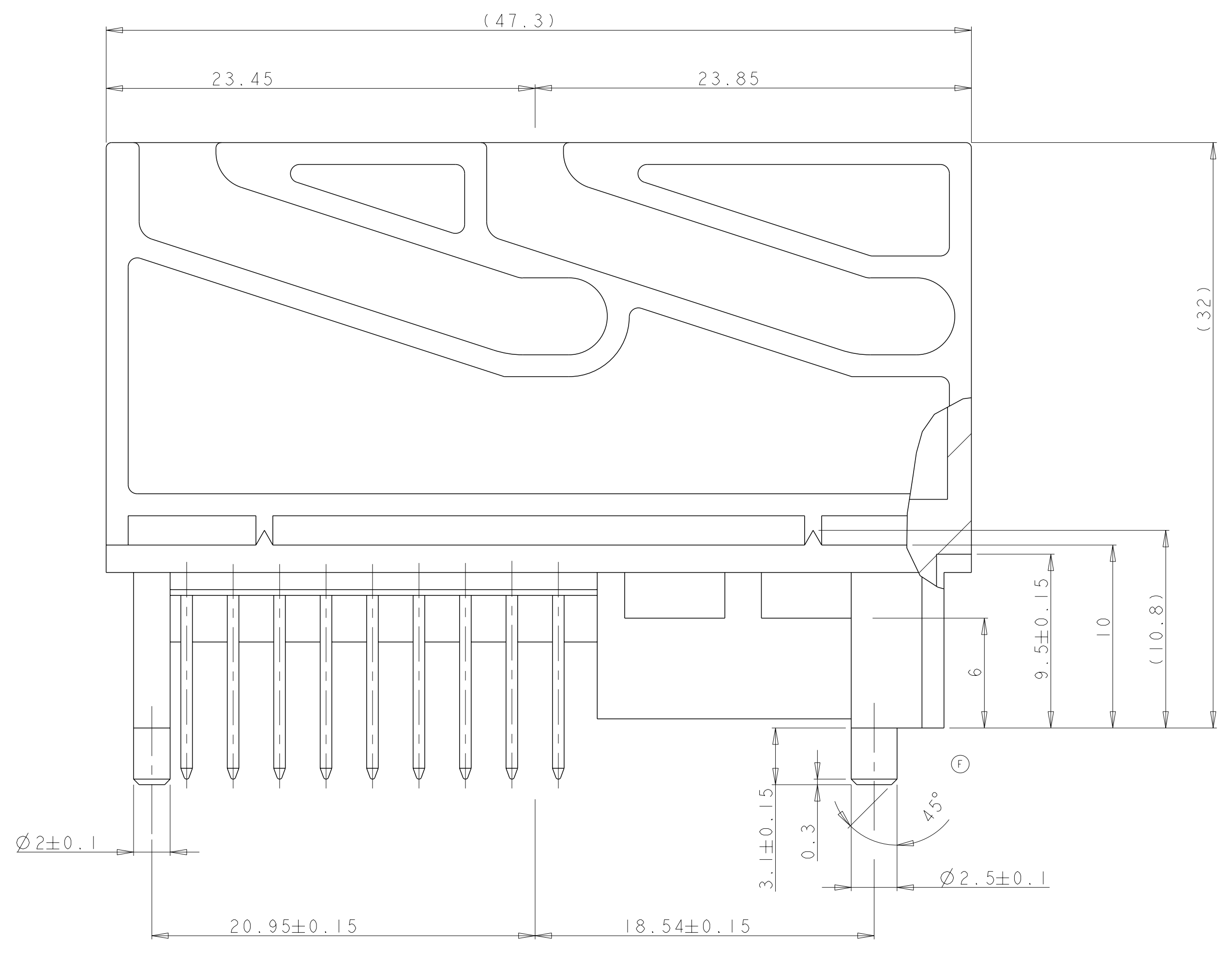
- NOTES  
 Bemerkungen
- 1 AMP-LOGO  
AMP-Logo
  - 2 ORDER-NUMBER  
Bestell-Nummer
  - 3 REVISIONS-NUMBER  
Werkzeugaenderungsindex
  - 4 TOOL CAVITY MARKING  
Nestmarkierung
  - 5 CAVITY MARKING  
Kammernumerierung
  - 6 -
  - 7 MATERIAL MARKING  
Werkstoffkennzeichnung
  - 8 PRODUCTION-DATE  
Produktions-Datum

0-1241726-1	REC.-HOUSING FOR SHORT CIRCUIT BRIDGE
0-1241719-1	COVER WITH SLIDE, 90° FOR SHORT CIRCUIT BRIDGE
NUMBER NUMBER	DESCRIPTION BESCHREIBUNG
	COUNTERPARTS GEGENSTECKER

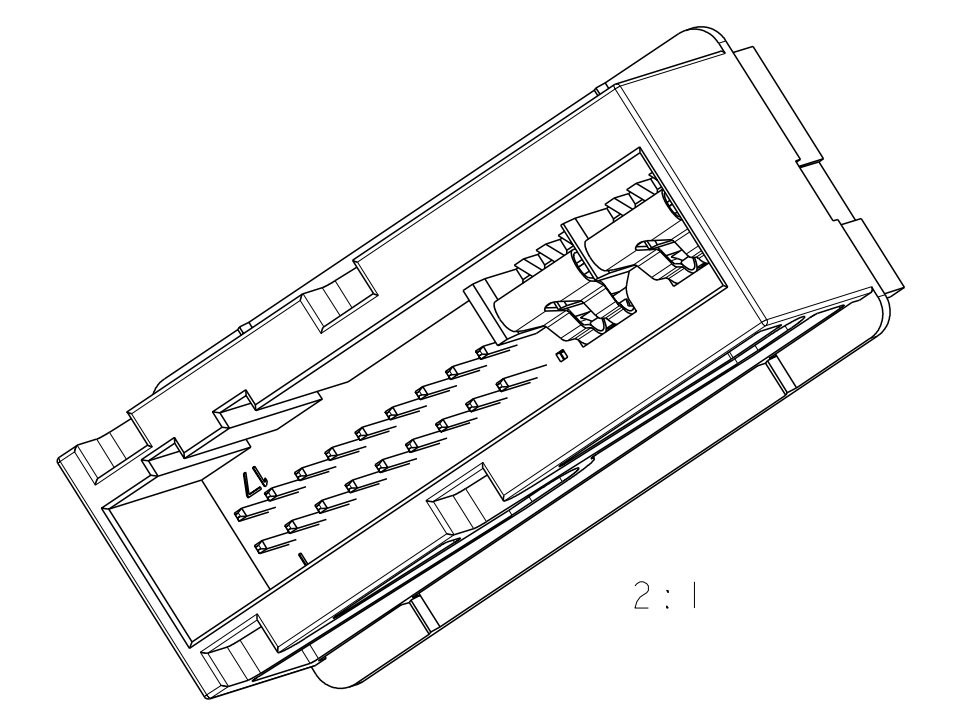
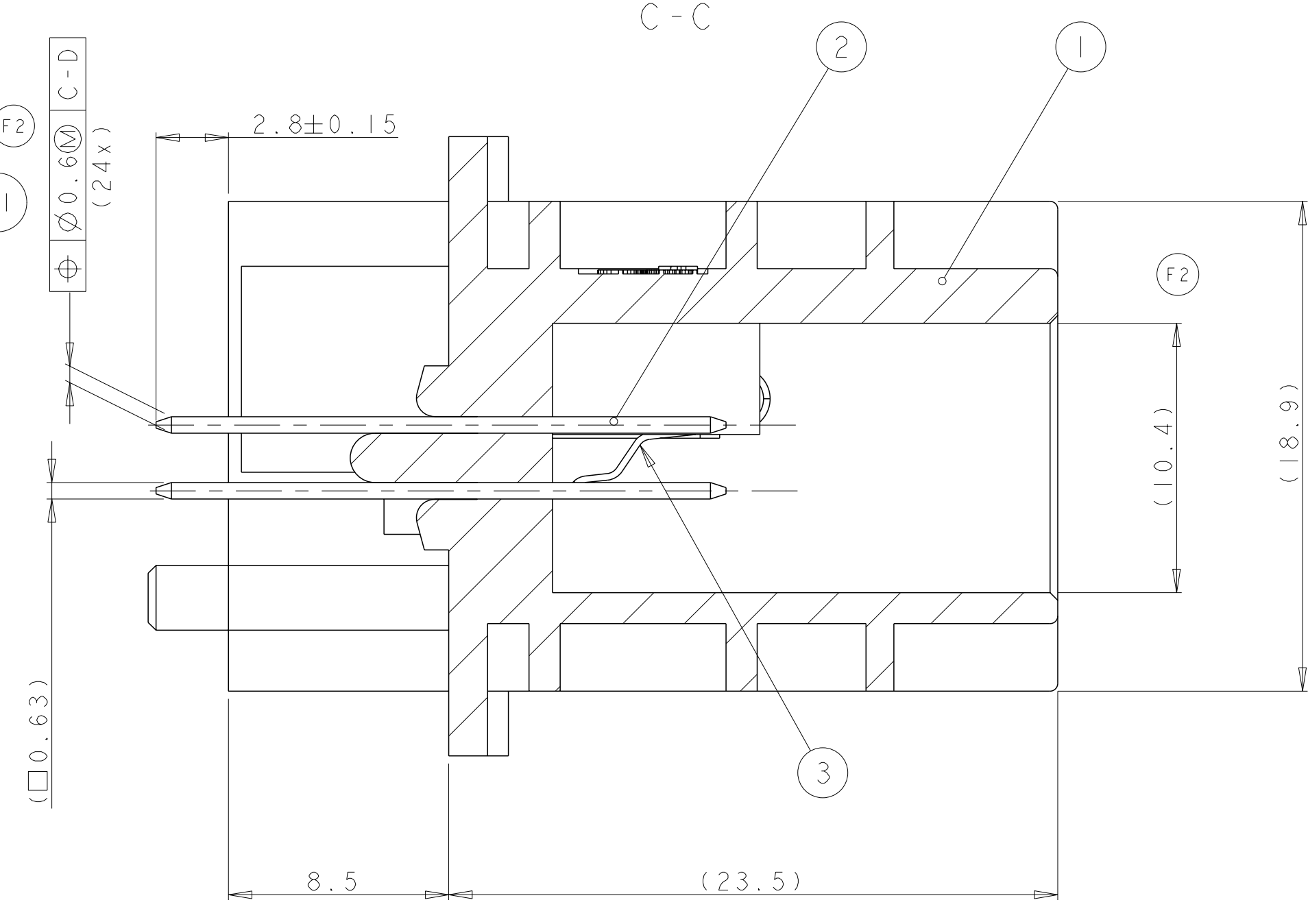
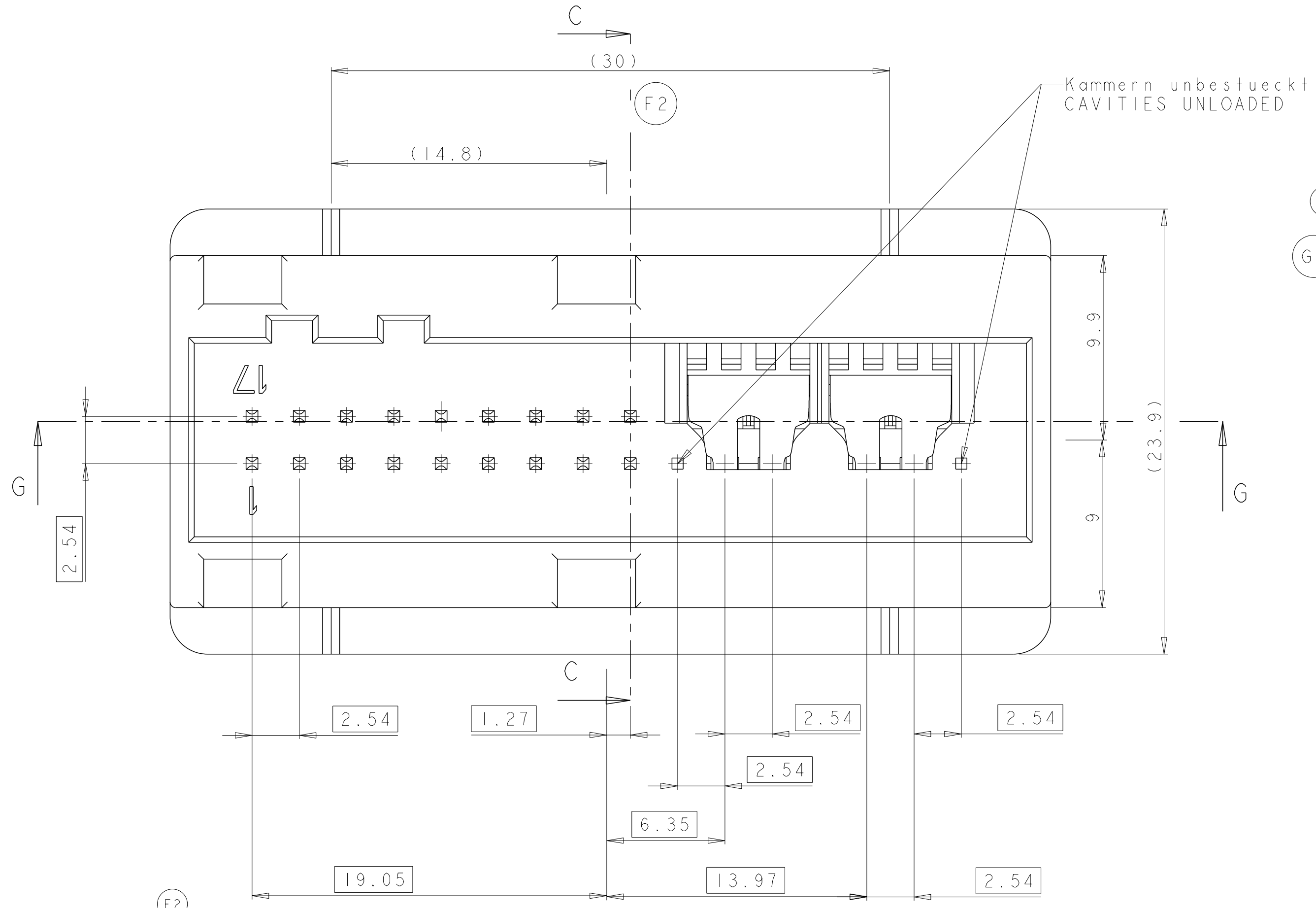
AMP PART NO. AMP Nummer	REV.	DESCRIPTION Beschreibung	QTY. Stck.	MATERIAL	SURFACE COLOR	ITEM NO.
0-1355585-3	H2	SHORT CIRCUIT SPRING	2	X12CrNi177	33.0µm Au selektiert	3
		AMP MODUL PIN	20	CuSn6	TIN PLATED	2
		PIN HEADER 18+4POS., COD. A	1	PPA-GF 25	BLACK	1

DIMENSIONS: mm		TOLERANCES UNLESS OTHERWISE SPECIFIED:	
0 PLC	±0.3	1 PLC	±0.3
2 PLC	±0.3	3 PLC	±0.3
4 PLC	±0.3	ANGLES	±2°
FINISH			
DWN H.Schmitt 130CT00		CHK V.BERGEMANN 09AUG01	
APVD		NAME	
PRODUCT SPEC		18+4POS. AMPMODU II PIN HEADER	
APPLICATION SPEC		18+4pol. AMPMODU II Stiftwanne	
SIZE		CAGE CODE DRAWING NO	
114-18334-1		A1 00779 C=1355585	
WEIGHT		RESTRICTED TO	
CUSTOMER DRAWING		SCALE 5:1 SHEET 3 OF 4 REV H2	

REVIEWS		DATE	DWN	APVD
P	LTR	DESCRIPTION		
-	-	SEE SHEET 1	-	-
-	-		-	-
-	-		-	-



- NOTES  
 Bemerkungen
- 1 AMP-LOGO  
AMP-Logo
  - 2 ORDER-NUMBER  
Bestell-Nummer
  - 3 REVISIONS-NUMBER  
Werkzeugaenderungsindex
  - 4 TOOL CAVITY MARKING  
Nestmarkierung
  - 5 CAVITY MARKING  
Kammernumerierung
  - 6 -
  - 7 MATERIAL MARKING  
Werkstoffkennzeichnung
  - 8 PRODUCTION-DATE  
Produktions-Datum



0-1241726-1	REC.-HOUSING FOR SHORT CIRCUIT BRIDGE
0-1241719-1	COVER WITH SLIDE, 90° FOR SHORT CIRCUIT BRIDGE
NUMBER NUMBER	DESCRIPTION BESCHREIBUNG
COUNTERPARTS GEGENSTECKER	

AMP PART NO. AMP Bestell-Nr.	REV.	DESCRIPTION Beschreibung	QTY. Stck.	MATERIAL	SURFACE COLOR	ITEM NO.
0-1355585-5	C	SHORT CIRCUIT SPRING	2	XI2CrNi177	53.0um Au selektiv am Kontaktpunkt	3
		AMP MODU II PIN	18	CuSn6	TIN PLATED	2
		PIN HEADER 18+4POS., COD. A	1	PPA-GF 25	BLACK	1

DIMENSIONS: mm		TOLERANCES UNLESS OTHERWISE SPECIFIED:		DWN A.Richter 10JUL2001	09JUL2001	tyco Electronics		Tyco Electronics AMP GmbH D - 63225 Langen	
0 PLC	±0.3	1 PLC	±0.3	APVD H.Schmitt		NAME 18+4POS. AMPMODU II PIN HEADER			
2 PLC	±0.3	3 PLC	±0.3	PRODUCT SPEC 108-18688-1					
4 PLC	±0.3	APPLICATION SPEC 114-18334-1							
ANGLES	±2°	FINISH		SIZE A1		CAGE CODE 00779		DRAWING NO. 1355585	
MATERIAL				WEIGHT		CUSTOMER DRAWING		RESTRICTED TO	
						SCALE 5:1		SHEET 4 OF 4	
								REV. H2	